

# FDBX2-GY



# FDBX2-GY

## Brand Features

Leviton's Wetguard line of industrial watertight wiring devices are the most versatile, well-engineered watertight devices on the market. They meet IP67 and NEMA ratings for water ingress protection, and offer many significant advantages over competitive brands. Standard color options include yellow and gray with black available upon special request.

## Item Description

FD Box, Two-Gang, 67.3 Cubic Inch Capacity, 1" unthreaded conduit openings with reducers for 3/4" and 1/2" conduit, includes plugs for unused openings and stainless steel device mounting plates with ground wire, industrial grade - GRAY

## Technical Information

### Environmental Specifications

**Operating Temperature:** -20°F (-29°C) to +140°F(+60°C)

**Enclosure Rating:** NEMA 4, 4X, 12 IEC IP66

### Material Specifications

**Reducers/Plugs:** Rigid PVC

**Grounding Wire:** Green #12AWG Stranded Copper, 8" Long

**Mounting Plate:** Stainless Steel

**Gasket (2-and3-gang):** Santoprene TPV

**Frame (2-and 3-gang):** Valox PBT

**Threaded Inserts:** Brass

**Box:** Rigid PVC

### Mechanical Specifications

**Box Volume:** 67.3 cu in/1103 cu cm

### Product Features

**Color:** Gray

### Standards and Certifications

**cULus:** Listed

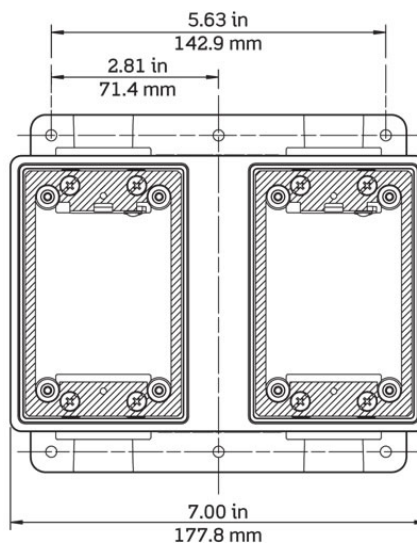


**UPC Code:** 07847751840

**Country Of Origin:** United States

*\* Eligible for ARRA funded projects*

*Made in USA*



## SPECIFICATION SUBMITTAL

JOB NAME:	CATALOG NUMBERS:	
<input type="text"/>	<input type="text"/>	<input type="text"/>
JOB NUMBER:	<input type="text"/>	<input type="text"/>

**Leviton Manufacturing Co., Inc.**

201 North Service Road, Melville, NY 11747

Teléfono: +1-800-323-8920 · FAX: +1-800-832-9538 · Tech Line (8:30AM-7:30PM E.S.T. Monday-Friday): +1-800-824-3005

**Leviton Manufacturing of Canada, Ltd.**

165 Hymus Boulevard, Pointe Claire, Quebec H9R 1E9 · Telephone: +1-800-469-7890 ·

FAX: +1-800-824-3005 · [www.leviton.com/canada](http://www.leviton.com/canada)

**Leviton S. de R.L. de C.V.**

Lago Tana 43, Mexico DF, Mexico CP 11290 · Tel.: (+52)55-5082-1040 · FAX: (+52)5386-

1797 · [www.leviton.com.mx](http://www.leviton.com.mx)

**Visit our Website at: [www.leviton.com](http://www.leviton.com)**

© 2012 Leviton Manufacturing Co., Inc. Todos los derechos reservados. Subject to change without notice.

**Leviton has a global presence.**

If you would like to know where your local Leviton office is located please go to:

[www.leviton.com/international/contacts/](http://www.leviton.com/international/contacts/)

*\*Leviton is the smart choice, providing the most comprehensive range of solutions to meet the needs of today's residential, commercial and industrial buildings. Leveraging more than a century of experience, Leviton helps customers create sustainable, intelligent environments through its electrical wiring devices, network and data center connectivity solutions, and lighting energy management systems. From switches and receptacles, to daylight harvesting controls, networking systems, and equipment for charging electric vehicles, Leviton solutions help customers achieve savings in energy, time and cost, all while enhancing safety.*

