

## Single and Dual-Gang Surface-Mount Back Boxes

### APPLICATION

Single- and dual-gang back boxes are used for surface-mount installation in hard-wall or open-office environments. Compatible with all Leviton QuickPort® and MOS flush-mount wallplates. Accommodates various raceway types. Available in two depths (1.45 and 1.89 inches) and in four colors (white, ivory, grey, and black).



### SPECIFICATION

Surface-mount back boxes shall accept NEMA compliant flush-mount plates. Both side and rear cable entry must be provided with rear cable knockout sized to facilitate cable bend-radius. Back boxes shall have removable base and accommodate two sizes of raceway on sides, top, and bottom. Matching shallow and deep versions shall be available. Colors and configurations to be specified per schedule on plan. Back boxes shall be constructed of high-impact, fire-retardant plastic rated UL 94V-0, and be UL Listed and compliant with ANSI/TIA-568-C.0 specifications.

### FEATURES

- Back boxes have tie-wrap anchors at each inside raceway entry point
- Dual-gang back box has four fiber storage tie-wrap anchors located on base surface
- Screws and tape provided for mounting; optional magnet retention (41030-SMJ)
- Compatible with all Leviton multimedia wallplates, including QuickPort wallplates
- Two-piece construction
- Designed with rear and side cable access breakouts
- Larger breakouts in single-gang bases accommodate a larger cable bend radius
- Available in four colors (white, ivory, grey, and black)

### DESIGN CONSIDERATIONS

- Single-gang back box accepts Leviton MOS, QuickPort wallplates, and any Leviton single-gang wallplate
- Dual-gang back box accepts mounting of fiber ring (41290-DRx), MOS, QuickPort dual-gang wallplates, and any Leviton dual-gang NEMA style wallplate
- Back boxes include two-magnet retainers for optional surface mounting with magnets
- Side breakouts accept Wiremold and Panduit raceway or equivalent
- Rear and side cable access breakouts
- Available in two depths (1.45 and 1.89 inches)

### STANDARDS COMPLIANCE

- UL Listed
- CSA Certified
- ANSI/TIA-568-C.0

### PHYSICAL SPECIFICATIONS

Dimensions: See page two  
Materials: Fire-retardant plastic rated 94V-O  
Mounting: Use screws (included), adhesive tape (included), or optional magnet mount (41030-SMJ)  
Colors: White, ivory, grey, and black

### COUNTRY OF ORIGIN

Mexico

### WARRANTY INFORMATION

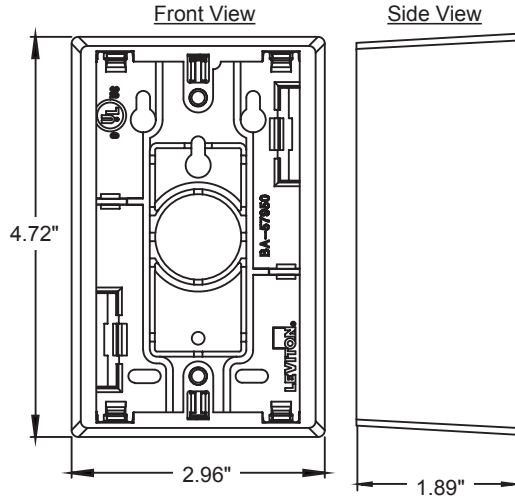
For a copy of Leviton product warranties, visit [www.leviton.com/warranty](http://www.leviton.com/warranty).

42777-1xx, 42777-2xx

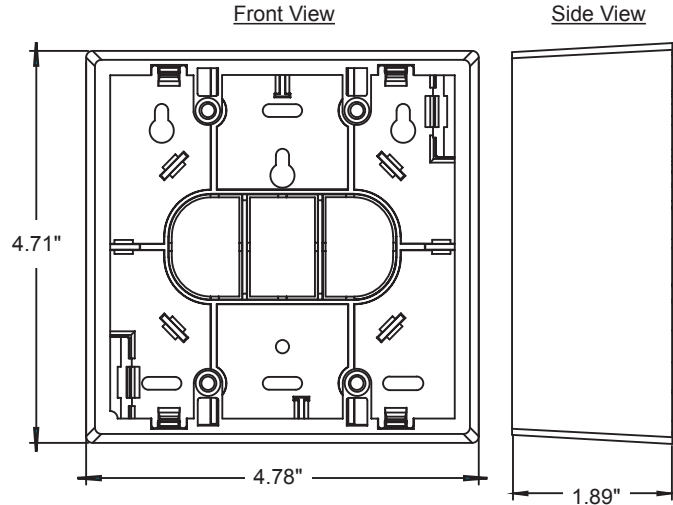
**ELECTRONIC FILES**

For CAD files, typical specs, or technical drawings (.DXF, .DWG), visit [www.leviton.com](http://www.leviton.com).

**Single Gang**

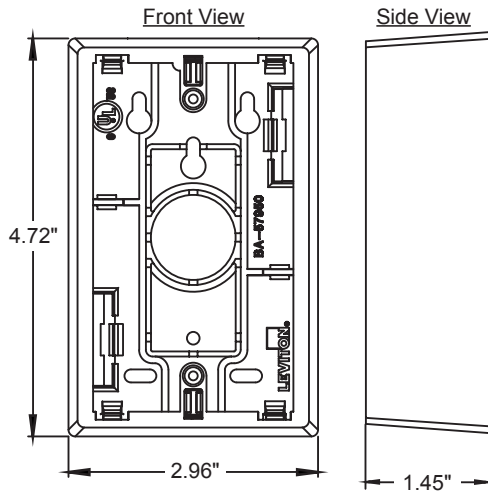


**Dual Gang**

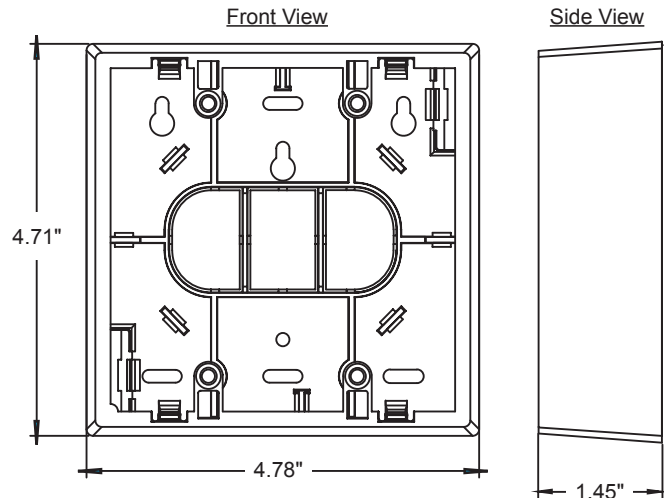


42777-1XX, 42777-2XX

**Single Gang**



**Dual Gang**



**PART NUMBERS**

Description	WHITE	IVORY	GREY	BLACK
Single-Gang Surface-Mount Back Boxes, 1.89-inches deep	42777-1WA	42777-1IA	42777-1GA	42777-1EA
Single-Gang Surface-Mount Back Boxes, 1.45-inches deep	42777-1WB	42777-1IB	42777-1GB	42777-1EB
Dual-Gang Surface-Mount Back Boxes, 1.89-inches deep	42777-2WA	42777-2IA	42777-2GA	42777-2EA
Dual-Gang Surface-Mount Back Boxes, 1.45-inches deep	42777-2WB	42777-2IB	42777-2GB	42777-2EB



**Leviton Network Solutions**  
2222 - 222nd St. SE  
Bothell, WA 98021-4416

**Asia / Pacific**  
T +1.631.812.6228  
E [infoasean@leviton.com](mailto:infoasean@leviton.com)

**Canada**  
T +1.514.954.1840  
E [pcservice@leviton.com](mailto:pcservice@leviton.com)

**Caribbean**  
T +1.954.593.1896  
E [infocaribbean@leviton.com](mailto:infocaribbean@leviton.com)

**China**  
T +852.2774.9876  
E [infochina@leviton.com](mailto:infochina@leviton.com)

**Colombia**  
T +57.1.743.6045  
E [infocolombia@leviton.com](mailto:infocolombia@leviton.com)

tel 1-800-824-3005  
tel +1-425-486-2222  
[appeng@leviton.com](mailto:appeng@leviton.com)  
[www.leviton.com](http://www.leviton.com)

**Europe**  
T +33.6.8869.1380  
E [infoeurope@leviton.com](mailto:infoeurope@leviton.com)

**India / SAARC**  
T +971.4.886.4722  
E [infoindia@leviton.com](mailto:infoindia@leviton.com)

**Mexico**  
T +52.55.5082.1040  
E [Isamarketing@leviton.com](mailto:Isamarketing@leviton.com)

**Middle East & Africa**  
T +971.4.886.4722  
E [lmeinfo@leviton.com](mailto:lmeinfo@leviton.com)

**South Korea**  
T +82.2.3273.9963  
E [infokorea@leviton.com](mailto:infokorea@leviton.com)