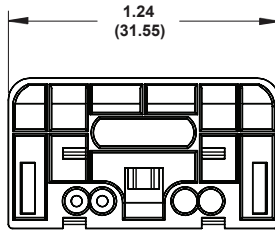
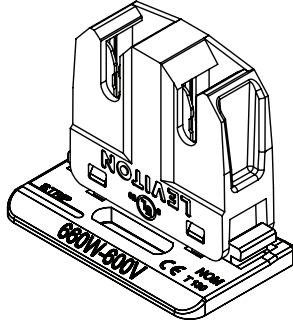
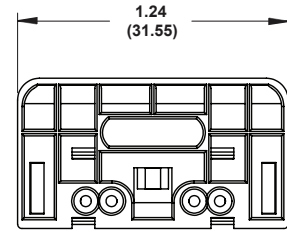


Dimensions

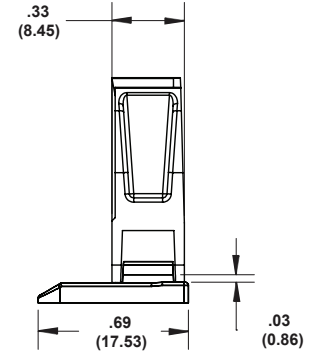
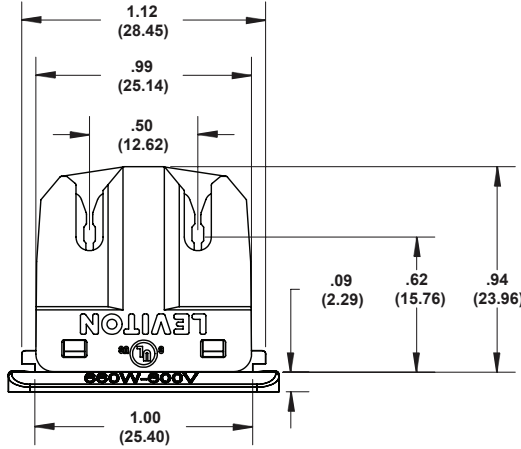
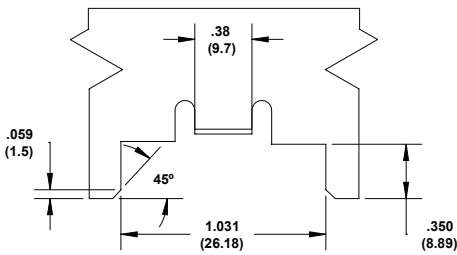


Shunted Version
Cat. No. 23280

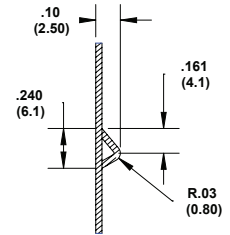


Non-Shunted Version
Cat. No. 13280

RECOMENDED PANEL OPENING
Panel thickness 22 GA



NOTE: Dimensions in parentheses
are in millimeters.
All other dimensions are in inches.



Cat. Nos. 13280 and 23280

Specifications

Rating	Agency Standards
660W-600V, Thermoplastic body, PBT Material, Rated 130C, 94V-0	UL Listed  (File #E-5833), Circle I, NOM Certified (File #057), CE Marking for Europe

Ordering Information

Cat. No.	Description
13280	Straight-In Medium Bi-Pin Fluorescent Lampholder for T-8 lamps with a G13 Base. Non-shunted.
23280	Same as 13280, except with internal shunt connection for instant-start ballasts.

Leviton Manufacturing Co., Inc.

201 N Service Rd, Melville, NY 11747
Telephone: 1-800-323-8920 • FAX: 1-800-832-9538
Tech Line (7:00AM-7:30PM E.S.T. Monday-Friday): 1-800-824-3005

Leviton Manufacturing of Canada, Ltd.

165 Hymus Blvd, Pointe-Claire, QC H9R 1E9
Telephone: 1-800-469-7890 • FAX: 1-800-563-1853

Leviton S. de R.L. de C.V.

Lago Tana 43, Col. Huichapan, Miguel Hidalgo, CP 11290 México DF
Tel. (+52) 55-5082-1040 • Fax: (+52) 55-5386-1797 • www.leviton.com.mx

Visit our Website at: www.leviton.com/oem

© 2011 Leviton Manufacturing Co., Inc. All rights reserved.

