

T5020-T

Straight Blade Wiring Devices



UPC Code: 07847741774

Country of Origin: Mexico - *Eligible for ARRA funded projects > \$7,443,000

NEMA: 5-20R



Brand Features

Plug Into Safety with Leviton's Line of Tamper-Resistant (TR) Receptacles. Leviton makes it easy for you to comply with the 2008 NEC mandate for TR Receptacles in all new residential housing. This requirement resulted from a Consumer Product Safety Commission study, that reported alleged injuries in the home caused each year by children attempting to insert foreign objects into receptacles. TR receptacles have been mandated in pediatric care areas for over 20 years and have likely been successful in preventing electrical injuries. As a long-time manufacturer of tamper-resistant devices, we are pleased to be at the forefront of this safety measure with an expanded product line that encompasses a wide range of TR devices in Residential, Commercial, Industrial and Hospital Grades.

Item Description

20 Amp, 125 Volt, NEMA 5-20R, 2P, 3W, Narrow Body Single Receptacle, Straight Blade, Tamper-Resistant, Commercial Grade, Grounding, Back & Side Wired, Steel Strap - LIGHT ALMOND

Technical Information

AC Horsepower Ratings

At Rated Voltage: 1 HP

Electrical Specifications

Grounding: Self-Grounding

Amperage: 20 Amp

Voltage: 125 Volt

NEMA: 5-20R

Pole: 2

Wire: 3

Dielectric Voltage: Withstands 2000V per UL498

Current Limiting: Full Rated Current

Temperature Rise: Max 30C after 250 cycles OL at 200 percent rated current

Environmental Specifications

Flammability: Rated V-2 per UL94

Operating Temperature: -40C to 60C

Material Specifications

Face Material: Thermoplastic Nylon

Body Material: Thermoplastic Nylon

Line Contacts: Brass Triple-Wipe

Terminal Screws: Brass 10-32

Grounding Screw: Brass 8-32

Strap Material: Zinc-Plated Steel

Clamp Nuts: Zinc-Plated Steel

Ground Clips: Brass-Plated

Color: Light Almond

Mechanical Specifications

Terminal ID: Brass-Hot, Green-Ground, Silver-Neutral

Terminal Accom.: 14-10 AWG

Product ID: Ratings are permanently marked on device

Termination: Back & Side

Product Features

NEMA: 5-20R

Color: Light Almond

Standards and Certifications

NEMA: WD-6

ANSI: C-73

UL498: File E13399

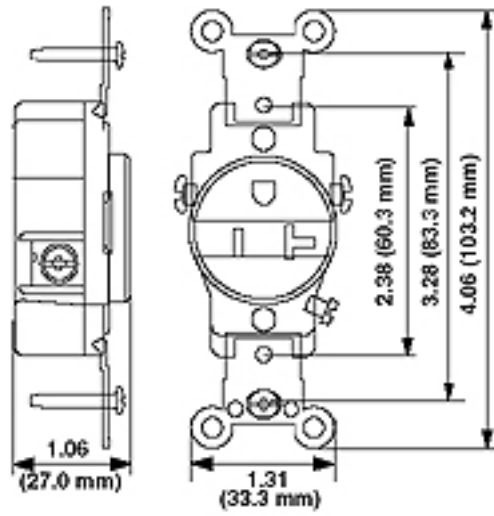
UL Fed Spec WC-596: File E13399

CSA C22.2 No. 42: File 152105

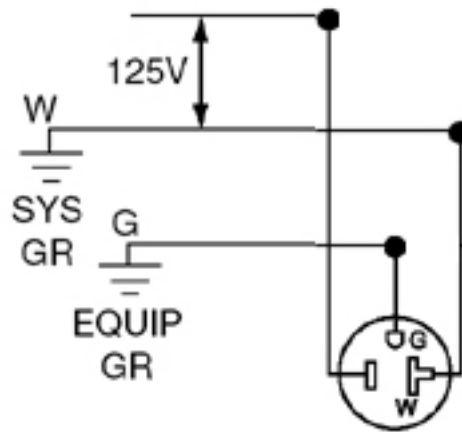
NOM: 057

Warranty: 10 Year Limited

Dimensional Diagram



Wiring Diagram



5-20R

SPECIFICATION SUBMITTAL

| | | |
|-------------------------------------|--|----------------------|
| JOB NAME: <input type="text"/> | CATALOG NUMBERS: <input type="text"/> | |
| JOB NUMBER: <input type="text"/> | <input type="text"/> | <input type="text"/> |

Leviton Manufacturing Co., Inc.

201 North Service Road, Melville, NY 11747

Telephone: 1-800-323-8920 · FAX: 1-800-832-9538 · Tech Line (8:30AM-7:30PM E.S.T. Monday-Friday): 1-800-824-3005

Leviton Manufacturing of Canada, Ltd.

165 Hymus Boulevard, Pointe Claire, Quebec H9R 1E9 · Telephone: 1-800-469-7890 ·

FAX: 1-800-824-3005 · www.leviton.com/canada

Leviton S. de R.L. de C.V.

Lago Tana 43, Mexico DF, Mexico CP 11290 · Tel.: (+52)55-5082-1040 · FAX: (+52)5386-1797 · www.leviton.com.mx

Visit our Website at: www.leviton.com

© 2012-2013 Leviton Manufacturing Co., Inc. All rights reserved. Subject to change without notice.



Leviton has a global presence.

If you would like to know where your local Leviton office is located please go to: www.leviton.com/international/contacts/

**Buy American Compliant Logo -- The American Recovery And Reinvestment Act of 2009 ("ARRA") provides federal grants and loans for projects throughout the country. Section 1605 of the Act, named the "Buy American" provision, requires that certain materials and manufactured products used in projects funded by the Act be manufactured in the United States. The appearance of the Recovery Act Logo in relation to a Leviton product is only intended to reflect that such product may be used in an ARRA funded project. It does not mean that such product or Leviton is sponsored or endorsed by, or that Leviton receives funds from, the federal government or the Recovery Accountability and Transparency Board. Nothing in Leviton's use of the logo is intended to suggest anything regarding the requirements for funding under ARRA.*