



## Type 4 Surge Protective Devices

Component Assemblies - Component assembly consisting of one or more Type 5 components — discrete component surge suppressors, such as MOVs that may be mounted on a PWB, connected by its leads or provided within an enclosure with mounting means and wiring terminations — together with a disconnect (integral or external).



# Type 4 Surge Protective Devices

Leviton's 51000 Series Surge Protective Devices provide point-of-use surge protection for industrial applications such as factory automation servo motors, drives and PLCs. Available in models with maximum load currents of 5 to 16 amps and in both wall-mounted and DIN rail mounted configurations.



51005-DIN



51020-DIN

## 51000 Series UL Recognized Components

- Protection for up to 52,000 amps of surge current per mode
- Tested to ANSI/IEEE C62.41 and C62.45 standards for category A & B applications
- Type 4 Surge Protected Devices (SPD) evaluated for use in Type 3 SPD applications
- C Sinewave Tracking provides enhanced EMI/RFI filtering
- Visual and Audible Alarms if surge protection is lost
- Dry contacts for remote monitoring
- Manufactured to ISO 9001 standards
- 10-year Limited Product Warranty

## Ordering Information

| Catalog Number | Description                                     | Amperage | Voltage Rating | Joules | MCOV | Enclosure         |
|----------------|---|----------|----------------|--------|------|-------------------|
| 51005-DIN      | Single-phase, 2-Wire + Ground, DIN-rail mounted | 5 Amp    | 120VAC         | 672J   | 150V | Polycarbonate     |
| 51005-WM       | Single-phase, 2-Wire + Ground                   | 5 Amp    | 120VAC         | 672J   | 150V | Polycarbonate     |
| 51010-DIN      | Single-phase, 2-Wire + Ground, DIN-rail mounted | 10 Amp   | 120VAC         | 672J   | 150V | Polycarbonate     |
| 51010-WM       | Single-phase, 2-Wire + Ground                   | 10 Amp   | 120VAC         | 672J   | 150V | Polycarbonate     |
| 51015-WM       | Single-phase, 2-Wire + Ground                   | 15 Amp   | 120VAC         | 1360J  | 150V | Extruded Aluminum |
| 51020-DIN      | Single-phase, 2-Wire + Ground, DIN-rail mounted | 16 Amp   | 120VAC         | 1360J  | 150V | Extruded Aluminum |
| 51020-WM       | Single-phase, 2-Wire + Ground                   | 16 Amp   | 120VAC         | 1360J  | 150V | Extruded Aluminum |
| 51240-DIN      | Single-phase, 2-Wire + Ground, DIN-rail mounted | 16 Amp   | 240VAC         | 2600J  | 270V | Extruded Aluminum |
| 51240-WM       | Single-phase, 2-Wire + Ground                   | 16 Amp   | 240VAC         | 2600J  | 270V | Extruded Aluminum |

## Type 4 Surge Protective Devices

Leviton's 3800 Series surge protective devices are designed to provide wired-in surge protection for devices in industrial and commercial equipment cabinets. These devices are suitable for 125V AC applications. Available in standard equipment or DIN Rail mount with terminal block for connections, or standard equipment mount with 6" long wire leads for termination and remote LED.



3800-DIN



3800-WM



3800-OEM

### 3800 Series UL Recognized Components

- MOV-based suppression circuitry provides optimum clamping
- Type 4 Surge Protected Devices (SPD) evaluated for use in Type 2 SPD applications
- Tested to ANSI/IEEE C62.41 and C62.45 standards for category A & B applications
- Terminal-Block accepts 14 AWG or 12 AWG conductors
- Manufactured to ISO 9001 standards
- 10-year Limited Product Warranty

### Ordering Information

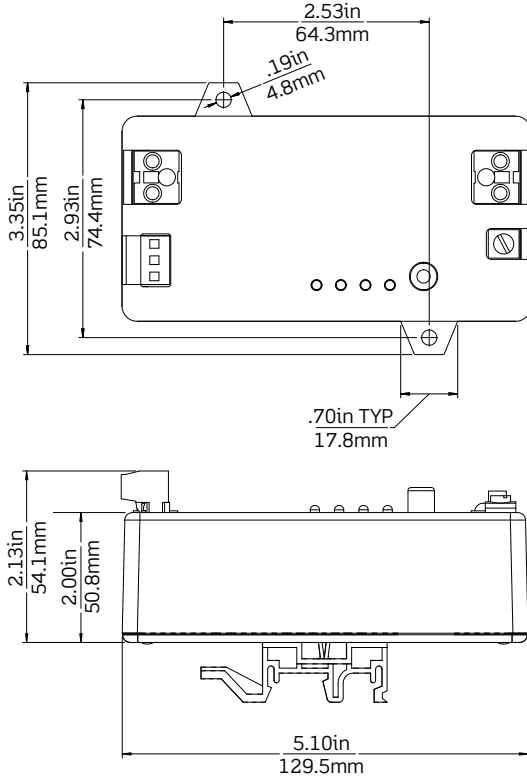
| Catalog Number | Description                                 |
|----------------|---|
| 3800-DIN       | Terminal Block Connection, DIN-rail mounted |
| 3800-WM        | Terminal Block Connection                   |
| 3800-OEM       | Pigtail Connection w/ 6" leads              |

## Specifications for: 3800 & 51000 Series

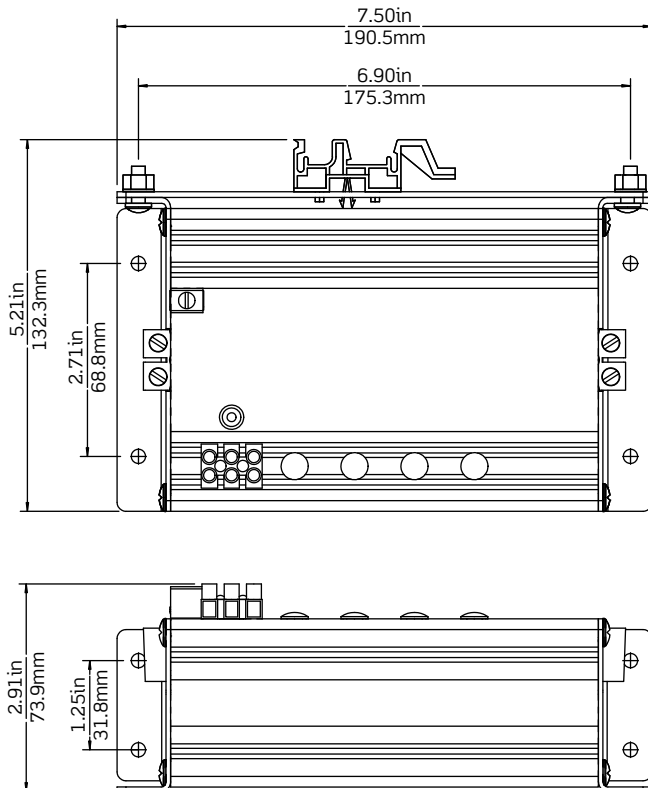
| Catalog Number                              | 51005-DIN<br>51005-WM   | 51010-DIN<br>51010-WM           | 51015-WM                        | 51020-DIN<br>51020-WM           | 51240-DIN<br>51240-WM           | 3800-DIN<br>3800-WM<br>3800-OEM  |
|---|---|---------------------------------|---------------------------------|---------------------------------|---------------------------------|--|
| <b>Electrical Specifications</b>            |   |                                 |                                 |                                 |                                 |  |
| Amperage                                    | 5 Amp   | 10 Amp                          | 15 Amp                          | 16 Amp                          | 16 Amp                          | N/A  |
| Voltage                                     | 120VAC  | 120VAC                          | 120VAC                          | 120VAC                          | 240VAC                          | 125V AC  |
| Frequency                                   | 50/60 Hz  | 50/60 Hz                        | 50/60 Hz                        | 50/60 Hz                        | 50/60 Hz                        | 50/60 Hz   |
| Surge Technology                            | MOV   | MOV                             | MOV                             | MOV                             | MOV                             | MOV  |
| <b>Performance Data</b>                     |   |                                 |                                 |                                 |                                 |  |
| Maximum Continuous Operating Voltage (MCOV) | 150V  | 150V                            | 150V                            | 150V                            | 270V                            | 130V   |
| Joules                                      | 672J  | 672J                            | 1360J                           | 1360J                           | 2600J                           | 600J   |
| Nominal Discharge Current (I <sub>n</sub> ) | N/A   | N/A                             | N/A                             | N/A                             | N/A                             | 3kA  |
| Maximum Surge Current, Per Phase            | L-N: 26kA,<br>L-G: 13kA (39kA)  | L-N: 26kA,<br>L-G: 13kA (39kA)  | L-N: 48kA,<br>L-G: 24kA (72kA)  | L-N: 48kA,<br>L-G: 24kA (72kA)  | L-N: 40kA,<br>L-G: 20kA (60kA)  | L-N: 24kA,<br>L-G: 12kA (36kA)   |
| Voltage Protection Rating (VPR)             | L-L   | —                               | —                               | —                               | 700V                            | —  |
|   | L-N   | 500V                            | 500V                            | 400V                            | 400V                            | 700V   |
|   | L-G   | 600V                            | 600V                            | 500V                            | 500V                            | 700V   |
|   | N-G   | 500V                            | 500V                            | 500V                            | 500V                            | 600V   |
| Noise Filtering                             | -20dB to -40dB<br>(@50K-100MHz)   | -20dB to -40dB<br>(@50K-100MHz) | -20dB to -40dB<br>(@50K-100MHz) | -20dB to -40dB<br>(@50K-100MHz) | -20dB to -40dB<br>(@50K-100MHz) | -10dB to -15dB<br>(@100K-100MHz)   |
| Protection Mode                             | 3 Mode  | 3 Mode                          | 3 Mode                          | 3 Mode                          | 3 Mode                          | 3 Mode   |
| <b>Material Specifications</b>              |   |                                 |                                 |                                 |                                 |  |
| Enclosure                                   | 51015, 51020 & 51240 Extruded Aluminum;<br>51005 and 51010 Polycarbonate housing                                  |                                 |                                 |                                 |                                 | Polycarbonate  |
| Connection Type                             | Hard wired; 51005 and 51010 accommodate 12 to 20 AWG wire;<br>51015, 51020 and 51240 accommodate 8 to 12 AWG wire |                                 |                                 |                                 |                                 | -DIN and -WM models:<br>terminal block<br>- accommodates 12<br>or 14 awg wire<br>-OEM model: 6"<br>pigtaills |
| Diagnostics                                 | Indicator lights and sound alarm for loss of protection   |                                 |                                 |                                 |                                 | Indicator lights and<br>sound alarm for loss<br>of protection  |
| Remote Monitoring                           | Rated 0.46 A, 150VAC or 1A, 30Vdc Dry contact   |                                 |                                 |                                 |                                 | —  |
| <b>Environmental Specifications</b>         |   |                                 |                                 |                                 |                                 |  |
| Operating Temperature                       | -10°C to 60°C   |                                 |                                 |                                 |                                 | 14°F to 140°F/<br>-10°C to 60°C  |
| Storage Temperature                         | -20°C to 85°C   |                                 |                                 |                                 |                                 | -4°F to 185°F/<br>-20°C to 85°C  |
| Flammability                                | Polycarbonate enclosures (51005 and 51010) - V-2 rated  |                                 |                                 |                                 |                                 | Rated V-0 per UL 94  |
| Relative Humidity                           | 5% to 95%<br>(non-condensing)   |                                 |                                 |                                 |                                 | Condensing:<br>5% to 95%   |
| <b>Standards &amp; Certifications</b>       |   |                                 |                                 |                                 |                                 |  |
| Agency Certification                        | cURus 1449 3rd Edition Listed Type 3 Recognized Components  |                                 |                                 |                                 |                                 | UL & CSA Recognized<br>Components  |
| ANSI/IEEE Category A & B                    | C-62.41 & C-62.45   |                                 |                                 |                                 |                                 | C-62.41 & C-62.45  |
| NOM   | N/A   |                                 |                                 |                                 |                                 | ETL Certified to<br>NOM-001  |
| <b>Warranty</b>                             |   |                                 |                                 |                                 |                                 |  |
| Product Warranty                            | 10-Year Limited   |                                 |                                 |                                 |                                 | 10-Year Limited  |

## Dimensions for: 3800 & 51000 Series

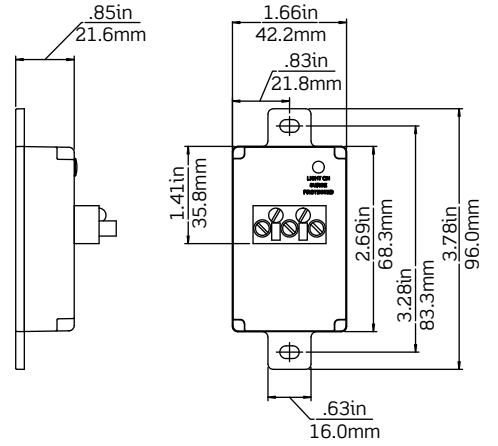
### Catalog Number 51010-DIN



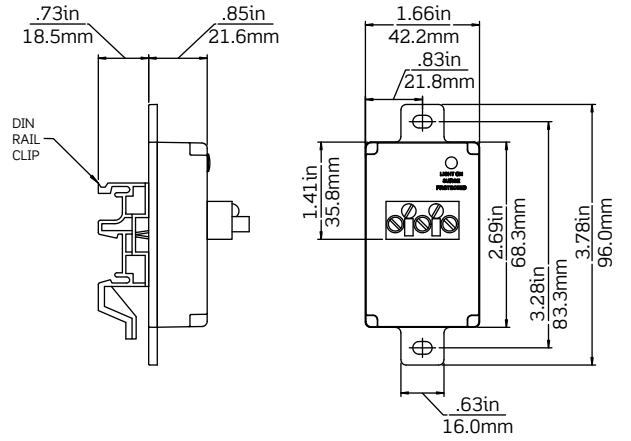
### Catalog Number 51020-WM



### Catalog Number 3800-WM



### Catalog Number 3800-DIN



### Catalog Number 3800-OEM

