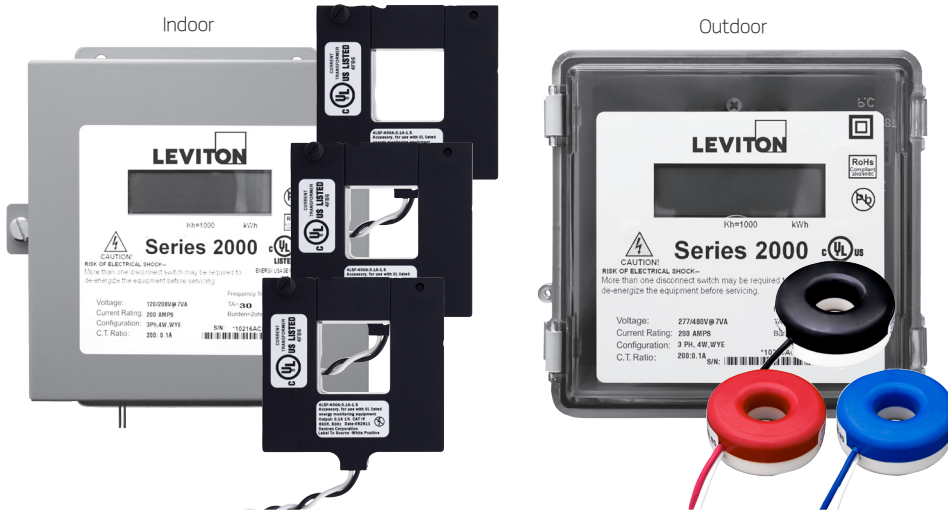


# Series 2000 Three Phase Meter Kits

## Submetering Solutions for Accurate Measurement & Verification



- kWh meter and optional Demand Reset
- 120/208V or 277/480V 3PH 4W WYE only
- 100 - 1200 Amps
- ModBus RTU (RS485) and Pulse output - standard features
- Large LCD Display
- Kit includes submeter and required Current Transformers (CTs)

### DEFINITION

The Leviton Series 2000 line of revenue-grade meters meets all measurement and verification-based opportunities - including load management and LEED rating achievement. Designed to provide a simple and effective process for accurately capturing measurements of power consumption, Series 2000 Meters are easy to specify and install for new construction and retrofits.

Leviton meters utilize highly accurate current transformers for revenue-grade performance certified to ANSI standards. Competing products use current sensors that do not provide the same level of performance. Leviton offers CTs in solid and split core styles to accommodate all phases of installation and construction. Solid core CTs are ideal for new construction, when power is not live and wires can easily be threaded through the core. Split core CTs can be installed at any time without having to disconnect wire terminations, making them the optimal choice for retrofitting an existing structure. Split core CTs close securely for fast, precise installation with no need for time-consuming tie wraps and no worries about improper seating or core half separation. Both solid and split core CTs offer high quality, long term accuracy and reliability.

Every Series 2000 Meter has an installer-friendly feedback feature. The red reverse phase indicator acts as an installation diagnostics tool and illuminates if a meter is improperly installed. After installation, the green duty cycle light shows that the meter is collecting electrical consumption data at the appropriate rate. All 100 and 200 Amp solid core CTs have color-coded labels to easily identify correct line/load orientation.

## PRODUCT DATA

### APPLICATIONS

Use Series 2000 Meters in commercial, institutional, industrial and government applications for:

- Load profiling and benchmarking
- AMR/BAS/BMS/EMS integration
- Usage aggregation
- Tenant cost allocation
- Measurement and verification
- Energy conservation and cost reduction
- Green building initiatives and Government mandates

### FEATURES

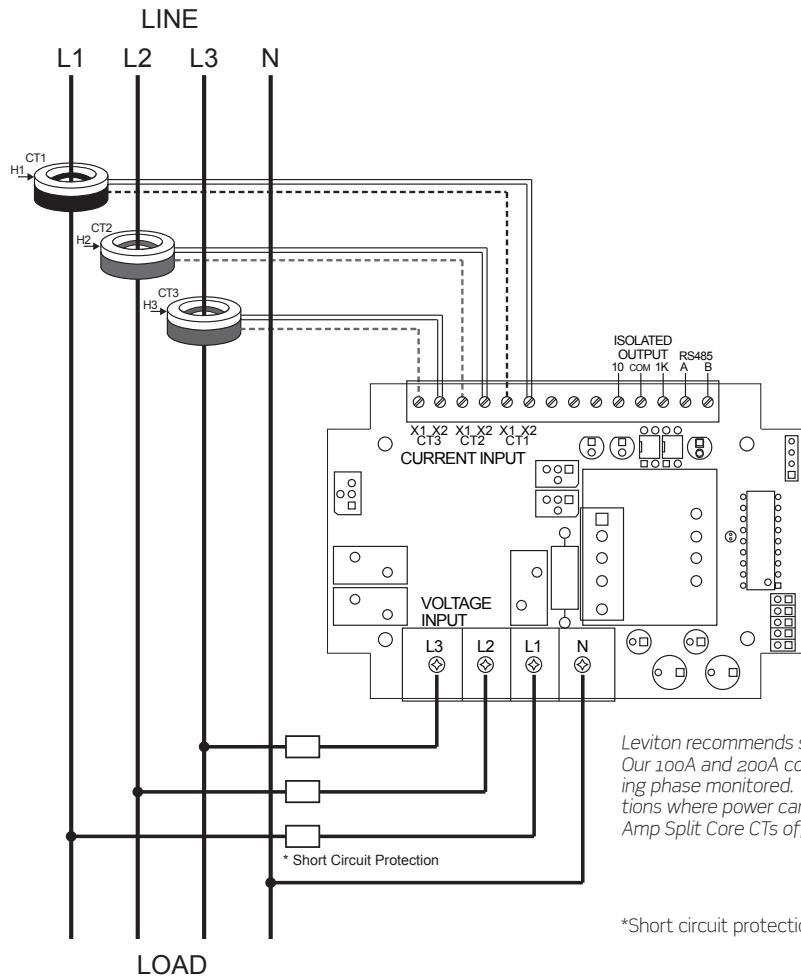
- Measures kWh and demand (optional)
- Conform to all applicable standards of ANSI C12.1
- Equipped standard with an Isolated Pulse Output channel and ModBus RTU (RS485) for easy AMR/BAS/BMS/EMS interface
- Utilizes either revenue grade 0.3% accuracy class 0.1A secondary solid core current transformers (CTs) that conform to all applicable ANSI requirements or 1.0% accuracy split-core CTs
- Up to three sets of CTs per phase can be paralleled per meter without the need for a meter multiplier
- Enclosure options include surface mount industrial grade JIC steel indoor and NEMA 4X outdoor
- Interfaces with numerous communication systems
  - Hardwired Automatic Meter Reading (AMR) or wireless AMR
- Large LCD display shows kWh and optional peak and instantaneous kW with Demand Reset
- Load Indicator LED verifies meter functionality
- Reverse Phase Indicator LED illuminates if the meter is improperly installed
- CT lead length maximum: 48"
- UL/cUL Listed Energy Usage Monitor per CCN FTR7
- Ten year warranty

### CONFIGURATIONS\*

AMPERAGES	PHASE/VOLTAGES
100-1200A	3Ø/4W - 120/208/240V
100-1200A	3Ø/4W - 277/480V

\* Contact factory for non-US voltage configurations.

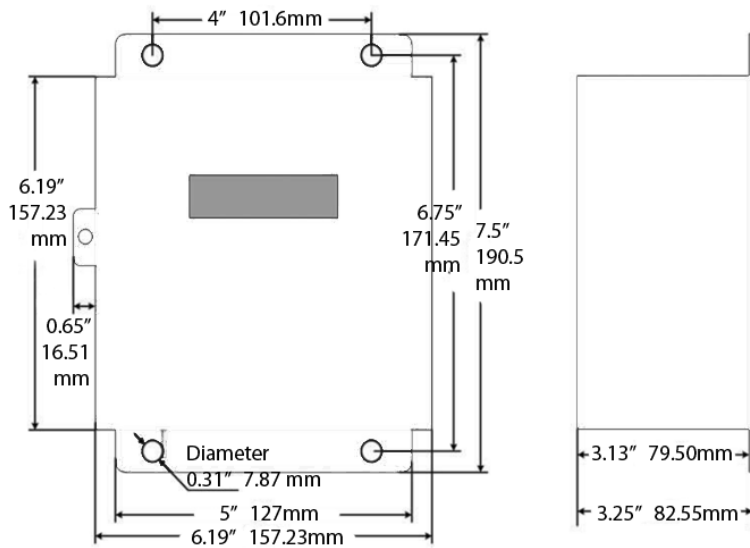
**THREE ELEMENT SERIES 2000 HOOKUP DIAGRAM**



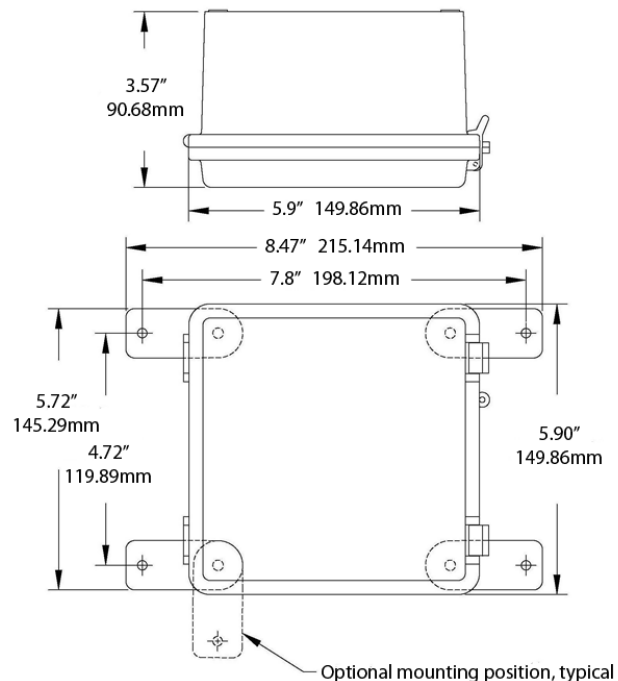
Leviton recommends solid core transformers (CTs) for revenue-grade accuracy. Our 100A and 200A color coded CTs assist with correct installation by indicating phase monitored. Split core CTs are also available upon request for applications where power cannot be interrupted during installation. Our 100-1,200 Amp Split Core CTs offer +/-1.0% accuracy.

\*Short circuit protection per NEC and local codes by others

**DIMENSIONS  
INDOOR ENCLOSURE**



**OUTDOOR ENCLOSURE**



**Leviton Mfg. Co., Inc. Lighting & Energy Solutions**

20497 SW Teton Avenue, Tualatin, OR 97062 1-800-736-6682 Tech Line: 1-800-959-6004 Fax: 503-404-5594 www.leviton.com/les  
© 2012 Leviton Manufacturing Co., Inc. All rights reserved. Subject to change without notice.

# PRODUCT DATA



## ORDERING INFORMATION

### Series 2000 Three Phase Meter Kits - Indoor Enclosure

**NOTE:** All kits include meter, specified enclosure and Current Transformers (CTs)

Voltage	Amps	CTs Included	Leviton P/N
120/208V 3 PH 4 W WYE kWh Meter	100	3 Split CTs	2K208-01W
	200	3 Split CTs	2K208-02W
	400	3 Split CTs	2K208-04W
	800	3 Split CTs	2K208-08W
	1200	3 Split CTs	2K208-12W
	100	3 SOLID CTs	2K208-1SW
	200	3 SOLID CTs	2K208-2SW
277/480 3 PH 4 W WYE kWh Meter	100	3 Split CTs	2K480-01W
	200	3 Split CTs	2K480-02W
	400	3 Split CTs	2K480-04W
	800	3 Split CTs	2K480-08W
	1200	3 Split CTs	2K480-12W
	100	3 SOLID CTs	2K480-1SW
	200	3 SOLID CTs	2K480-2SW
120/208V 3 PH 4 W WYE Demand Meter	100	3 Split CTs	2K208-01D
	200	3 Split CTs	2K208-02D
	400	3 Split CTs	2K208-04D
	800	3 Split CTs	2K208-08D
	1200	3 Split CTs	2K208-12D
277/480V 3 PH 4 W WYE Demand Meter	100	3 Split CTs	2K480-01D
	200	3 Split CTs	2K480-02D
	400	3 Split CTs	2K480-04D
	800	3 Split CTs	2K480-08D
	1200	3 Split CTs	2K480-12D

The following products are also part of the Leviton line of integrated metering solutions:

- Series 1000 Meters
- Series 3000 Smart Meters
- Mini Meters
- Multiple Meter Units (MMUs)
- Current Transformers (CTs)
- Energy Monitoring Software and Hardware

**NOTE:** Individual submeters are available, please consult factory for availability. Individual Current Transformers (CTs) are also available; see the Current Transformer data sheet documentation for part numbers and additional information.

Series 2000 Three Phase Meter Kits

## OUTDOOR ENCLOSURE

Voltage	Amps	CTs Included	Leviton P/N
120/208V 3 PH 4 W WYE kWh Meter	100	3 Split CTs	2O208-01W
	200	3 Split CTs	2O208-02W
	400	3 Split CTs	2O208-04W
	800	3 Split CTs	2O208-08W
	1200	3 Split CTs	2O208-12W
277/480V 3 PH 4 W WYE kWh Meter	100	3 Split CTs	2O480-01W
	200	3 Split CTs	2O480-02W
	400	3 Split CTs	2O480-04W
	800	3 Split CTs	2O480-08W
	1200	3 Split CTs	2O480-12W

### LEVITON SPECIFICATION SUBMITTAL

JOB NAME:	CATALOG NUMBERS:
JOB NUMBER:	

### Leviton Mfg. Co., Inc. Lighting & Energy Solutions

20497 SW Teton Avenue, Tualatin, OR 97062 1-800-736-6682 Tech Line: 1-800-959-6004 Fax: 503-404-5594 www.leviton.com/les  
 © 2012 Leviton Manufacturing Co., Inc. All rights reserved. Subject to change without notice.