

T5820-I

Tamper-Resistant Receptacles

Brand Features

Leviton's duplex receptacles are designed for a chic appearance, quick installation and durability. The impact-resistant thermoplastic design allows for a long service life and high performance in homes, offices, schools and other settings.

Item Description

20A 125V, NEMA 5-20R, 2P, 3W, Tamper-Resistant, Duplex receptacle. Straight blade, Residential grade, Self grounding, Side wired only, Steel strap - IVORY

Technical Information

Product Features

Grounding: Self-Grounding

Feature: Tamper-Resistant

Amperage: 20 Amp

Voltage: 125 Volt

NEMA: 5-20R

Pole: 2

Wire: 3

Termination: Side

Face Material: Thermoplastic Nylon

Color: Ivory

Body Material: Thermoplastic Nylon

Standards and Certifications:
UL/CSA/NOM

Product Type: Standard

Device Type: Duplex Receptacle



Color:



Ivory

UPC Code: 07847745023

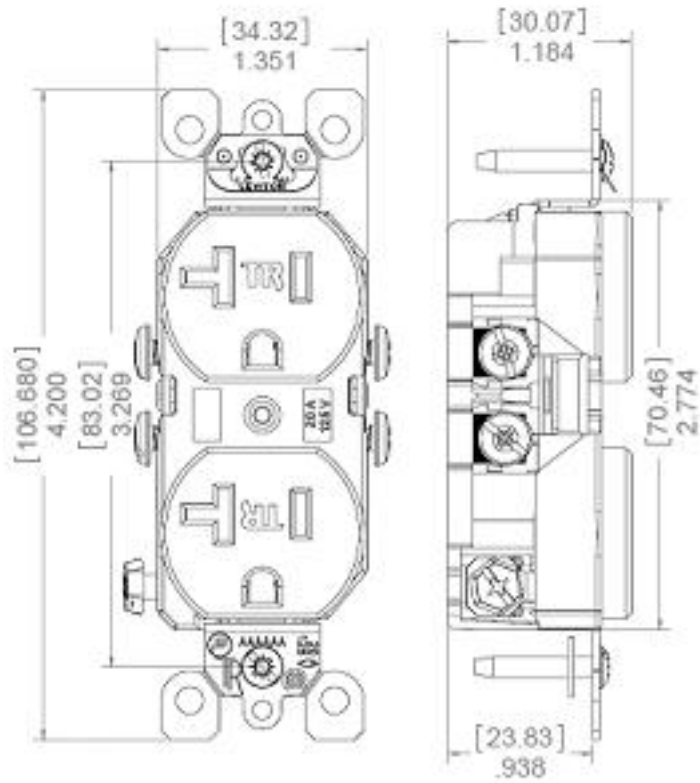
Country of Origin: China

NEMA: 5-20R

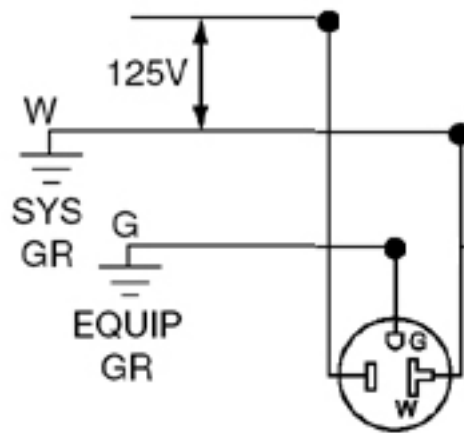


Features and Benefits

- Mechanical shutter mechanism prevents access to contacts unless a two-pronged plug is inserted, helping ensure that foreign objects will be locked out
- TR symbol on receptacle face assures they meet the 2008 NEC Section 406.11 code requirements
- Ultrasonically welded for additional assembly security
- Base and face made of high impact thermoplastic
- Convenient break-off plaster ears for best flush alignment
- Self-grounding clip staked on, will never fall off
- Easily accessible break-off tabs when split feed wiring is required; allows easy two circuit conversion



Wiring Diagram



5-20R

SPECIFICATION SUBMITTAL

JOB NAME:	CATALOG NUMBERS:	
<input type="text"/>	<input type="text"/>	<input type="text"/>
JOB NUMBER:	<input type="text"/>	<input type="text"/>

Leviton Manufacturing Co., Inc.

201 North Service Road, Melville, NY 11747

Telephone: 1-800-323-8920 · FAX: 1-800-832-9538 · Tech Line (8:30AM-7:30PM E.S.T. Monday-Friday): 1-800-824-3005

Leviton Manufacturing of Canada, Ltd.

165 Hymus Boulevard, Pointe Claire, Quebec H9R 1E9 · Telephone: 1-800-469-7890 ·

FAX: 1-800-824-3005 · www.leviton.com/canada

Leviton S. de R.L. de C.V.

Lago Tana 43, Mexico DF, Mexico CP 11290 · Tel.: (+52)55-5082-1040 · FAX: (+52)5386-1797 · www.leviton.com.mx

Visit our Website at: www.leviton.com

© 2012-2013 Leviton Manufacturing Co., Inc. All rights reserved. Subject to change without notice.

Leviton has a global presence.

If you would like to know where your local Leviton office is located please go to: www.leviton.com/international/contacts/

