

# ODS15-IDT



**UPC Code:** 07847727749

**Country of Origin:** Please Contact Customer Service

## Occupancy Sensors

### Brand Features

The ODS15 uses passive infrared (PIR) detection technology to monitor a room for occupancy through a segmented Fresnel lens. This specialized lens divides the field-of-view into sensor zones. When a person passes into or out of a sensor zone, the sensor detects motion and switches the lights ON. The lights will remain ON as long as there is an occupant moving through the sensor zones.

### Item Description

Product Line: ODS15, Technology: Passive Infrared, Switch Type: Single-Pole, Mounting: Wall Switch, Device Type: Occupancy Sensor, Coverage (Sq.Ft.): 2100 Sq. Ft., Pattern: 180°, Color: Light Almond, Warranty: 5-Year Limited

### Technical Information

#### Product Features

**Product Line:** ODS15

**Technology:** Passive Infrared

**Switch Type:** Single-Pole

**Mounting:** Wall Switch

**Device Type:** Occupancy Sensor

**Grade:** Commercial

**Coverage (Sq.Ft.):** 2100 Sq. Ft.

**Pattern:** 180°

**Mounting Height (Ft.):** 4 Ft.

**Adjustment:** Self-Adjusting

**Time Delay:** 30s-20m

**Voltage:** 120/277 Volt AC 60Hz

**Load Rating:** 1800W@120V INC  
1800VA@120V 4000VA@277V FL

**Motor:** 1/4 HP @ 120V

**Power Pack:** External Power Pack Not Required

**Consumption (mA):** N/A

**Photocell:** Internal

**HVAC Relay:** N/A

**Operating Temperature:** 0°C to 50°C

**Storage Temperature Range:** -10°C to 85°C

**Relative Humidity:** 20% to 90% non-condensing

**Neutral Wire Connection:** Not Required

**Color:** Light Almond

**LED Color:** Red

**Wallplate:** Order Separately

**Standards and Certifications:** UL/cUL

**Code Compliance:** California Title 24

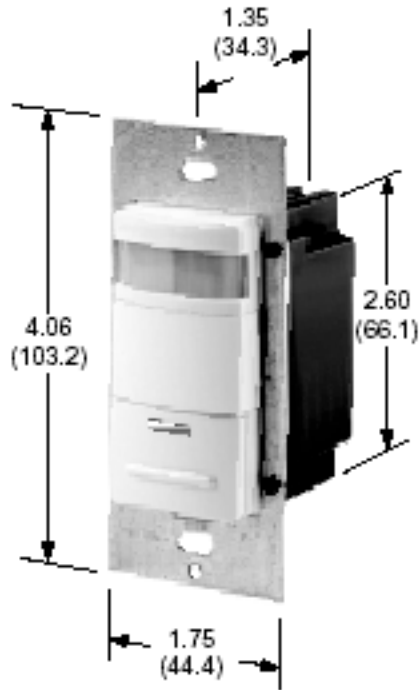
**Size:** 4.06" H x 1.75" W x 1.85" D  
(103.2mm x 44.4mm x 47.2mm)

**Warranty:** 5-Year Limited

### Features and Benefits

- Fits in standard wallbox and replaces single-pole wall switch; ground connection required. Gangable with other units.
- Low-profile design eliminates obtrusive "scanning-device" look. Elegant Decora wallplates complement any interior for sleek aesthetics; uses Decora wallplates and coordinates with Leviton's popular line of Decora wiring devices.

- 180° field-of-view provides approximately 2100 square feet of coverage suitable for small offices, conference rooms, class rooms, stock rooms, loung-es, private restrooms and a variety of commercial areas.
- Convenient pushbutton provides manual-ON/OFF light switching at any time.
- Two dual element PIR sensors used to widen detec-tion range.
- Segmented Fresnel lens provides optimum sensitivity and performance. Designed with an extensive "minor motion" area where even slight body movements will be detected.
- Vandal resistant PIR lens.
- Patented blinders - horizontal field-of-view may be adjusted between 180° and 60° of arc by using integral blinders located on either side of the lens. No masking tape required.
- Manual-ON/auto-OFF mode for installations where manual ON switching is required but auto-OFF switch-ing is still desired for CEC Title 24 energy savings.
- To comply with Title 24, red LED indicator light flashes when PIR sensor detects motion to verify detection is active.
- Time Delay - In adapting mode, the time delay can be configured from 30s (test mode), 5, 10, and 20 minutes. In non-adapting mode, the delay can be configured from 5, 10, 20, and 30 minutes.
- Light Sensor adjustable Ambient Light Override ranges from approxi-mately 2Fc (20LUX) to 500+Fc (5000+LUX) to prevent lights from turning ON auto-matically during periods of ample natural light, increasing energy savings.
- Light sensor enables the load hold-OFF feature once level has been set.
- Self-adjusting delayed-OFF time interval compen-sates for real-time occupancy patterns, preventing unnecessary ON/OFF switching.
- Exclusive Walk-Through feature provides increased energy savings by not leaving the lights ON for an extended period after only momentary occupancy.
- Vacancy Confirmation, when the time out expires and the relays turn OFF a 30 second vacancy con-firmation exists to turn the relays back ON.
- False detection circuitry.
- Presentation Mode feature for slide or film presen-tations allows pushbuttons to turn lights OFF and keep them OFF while the room is occupied.
- Additional manual service switch provided for installer to force lights to hold-OFF or hold-ON during installation.
- Beep Warn - unit beeps 3 times after delayed-OFF time expires, then waits 10 seconds before turning lights OFF.
- Exclusive Leviton H.I.S. Circuitry. Specifically designed to handle today's high inrush electronic ballast loads and offer unmatched durability and service.
- One unit can be used for 120V through 277V light-ing. Compatible with both electronic and magnetic ballasts.
- Relay switches at the zero crossing point of the AC power curve to ensure maximum contact life and compatibility with electronic ballasts.
- No neutral design in optional for retrofit applications.



**SPECIFICATION SUBMITTAL**

JOB NAME:	CATALOG NUMBERS:	
JOB NUMBER:		

**Leviton Manufacturing Co., Inc.**  
 201 North Service Road, Melville, NY 11747  
 Telephone: 1-800-323-8920 · FAX: 1-800-832-9538 · Tech Line (8:30AM-7:30PM E.S.T. Monday-Friday): 1-800-824-3005

**Leviton Manufacturing of Canada, Ltd.**  
 165 Hymus Boulevard, Pointe Claire, Quebec H9R 1E9 · Telephone: 1-800-469-7890 ·  
 FAX: 1-800-824-3005 · www.leviton.com/canada

**Leviton S. de R.L. de C.V.**  
 Lago Tana 43, Mexico DF, Mexico CP 11290 · Tel.: (+52)55-5082-1040 · FAX: (+52)5386-1797 · www.leviton.com.mx

Visit our Website at: [www.leviton.com](http://www.leviton.com)  
 © 2012-2013 Leviton Manufacturing Co., Inc. All rights reserved. Subject to change without notice.

**Leviton has a global presence.**  
 If you would like to know where your local Leviton office is located please go to: [www.leviton.com/international/contacts/](http://www.leviton.com/international/contacts/)

