

7899-HG0



UPC Code: 07847731713

Country of Origin: Please Contact Customer Service

NEMA: 5-20R



Ground Fault Circuit Interrupter (GFCI)

Brand Features

Leviton is the leading manufacturer of Ground Fault Circuit Interrupters (GFCIs) in the electrical industry. Available in Extra Heavy Duty Hospital and Commercial Spec Grade, they are ideal for a wide range of GFCI applications. Our large selection of GFCIs includes Tamper-Resistant (TR) GFCI devices that meet Section 406.11 of the 2008 code and help protect children from electrical shock. For the highest level of ground fault protection, install 2008 NEC code compliant Weather-Resistant GFCI (WR) receptacles, which meet UL 498 requirements. Built with UV stabilized engineering thermoplastic, the devices have high cold impact resistance and feature stainless steel straps and mounting screws.

Item Description

20 Amp, 125 Volt, Hospital Grade, SmartlockPro GFCI, Back and side wired, Nylon wallplate and screws included - BROWN

Technical Information

AC Horsepower Ratings

At Rated Voltage: 1 HP

Electrical Specifications

Grounding: GFCI Ground Fault

Amperage: 20 Amp

Voltage: 125 Volt

NEMA: 5-20R

Pole: 2

Wire: 3

Current Limiting: 10kA

Temperature Rise: Max 30C after 50 cycles OL at 150 percent rated current

Trip Level: 5mA plus or minus 1mA

Environmental Specifications

Flammability: Rated V-2 per UL94

Operating Temperature: -35C - 66C

Material Specifications

Body Material: Polycarbonate

Cover Material: Nylon

Strap Material: Galvanized Steel with Riveted Ground Contacts

Line Contacts: 0.031" thick Brass, Double Wipe

Internal Switch Contacts: Silver Alloy

Terminal Screws: Plated Brass

Grounding Screw: Plated Steel

Clamp Nuts: Galvanized Steel

Color: Brown

Mechanical Specifications

Terminal ID: Brass-Hot, Green-Ground, Silver-Neutral

Terminal Accom.: 14-12 AWG

Product ID: Ratings are permanently marked on device

Termination: Back & Side 20A Feed-Thru

Product Features

NEMA: 5-20R

Color: Brown

Standards and Certifications

NEMA: WD-1 & WD-6

ANSI: C-73

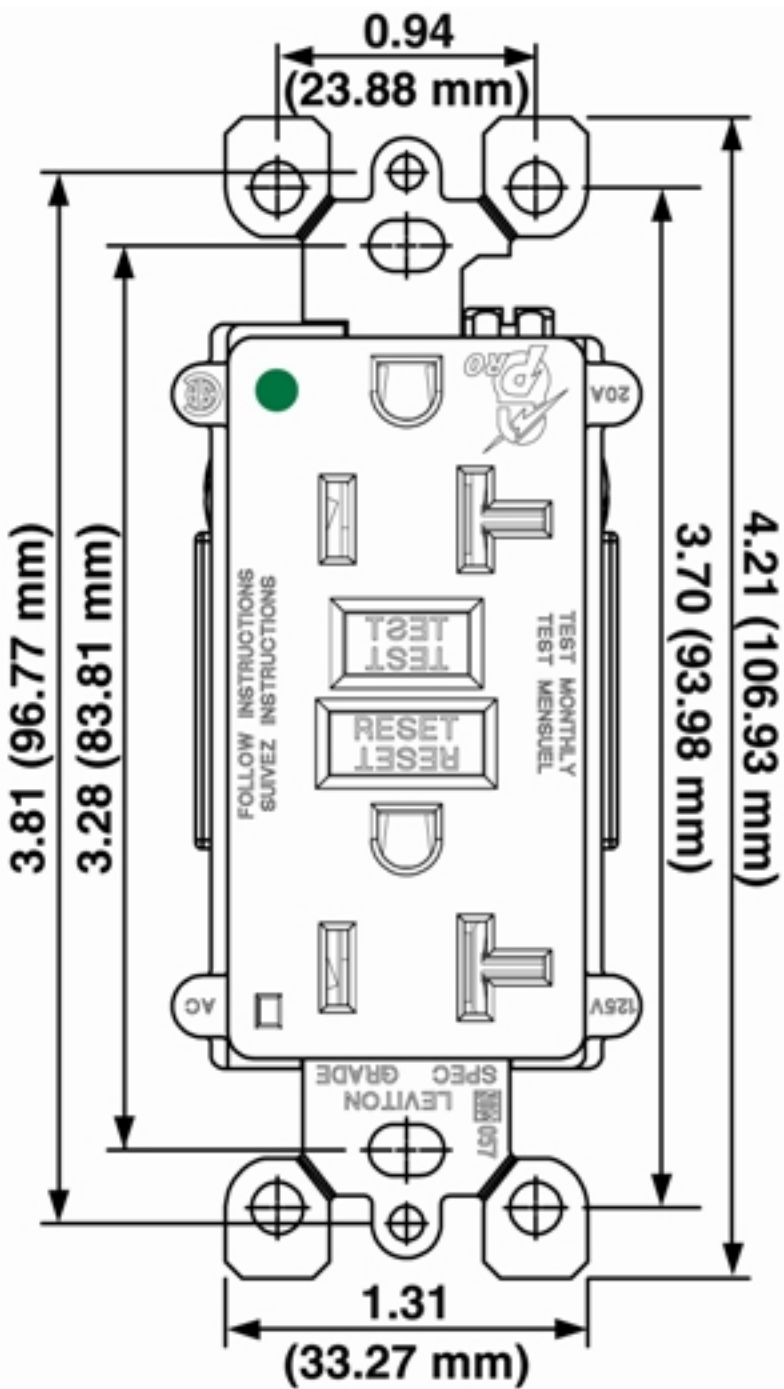
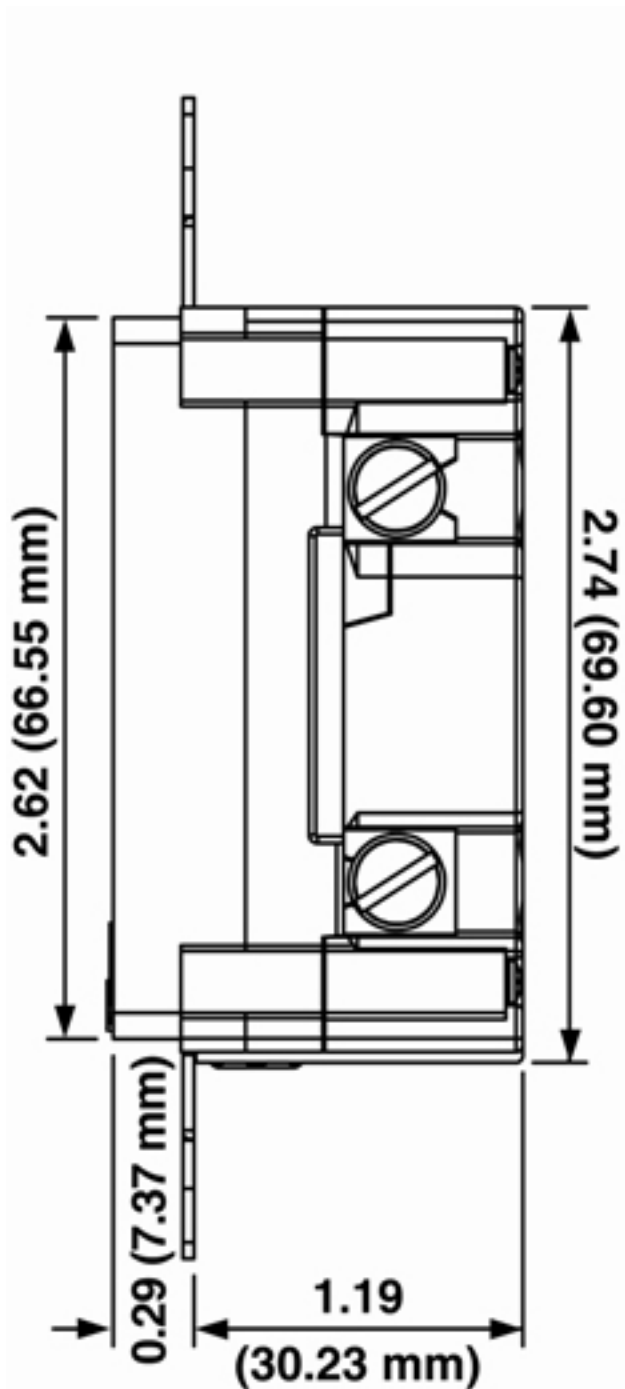
UL943 Class A: File E48380

UL498HG: File E13399

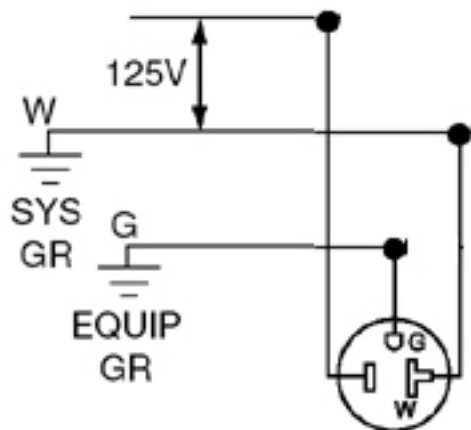
CSA C22.2 No. 42: File LR-57811

NOM: 057

Warranty: 2-Year Limited



Wiring Diagram



5-20R

SPECIFICATION SUBMITTAL

JOB NAME: <input type="text"/>	CATALOG NUMBERS: <input type="text"/>	
JOB NUMBER: <input type="text"/>	<input type="text"/>	<input type="text"/>

Leviton Manufacturing Co., Inc.

201 North Service Road, Melville, NY 11747

Telephone: 1-800-323-8920 · FAX: 1-800-832-9538 · Tech Line (8:30AM-7:30PM E.S.T. Monday-Friday): 1-800-824-3005

Leviton Manufacturing of Canada, Ltd.

165 Hymus Boulevard, Pointe Claire, Quebec H9R 1E9 · Telephone: 1-800-469-7890 ·

FAX: 1-800-824-3005 · www.leviton.com/canada

Leviton S. de R.L. de C.V.

Lago Tana 43, Mexico DF, Mexico CP 11290 · Tel.: (+52)55-5082-1040 · FAX: (+52)5386-1797 · www.leviton.com.mx

Visit our Website at: www.leviton.com

© 2012-2013 Leviton Manufacturing Co., Inc. All rights reserved. Subject to change without notice.

Leviton has a global presence.

If you would like to know where your local Leviton office is located please go to: www.leviton.com/international/contacts/

