

7102-C



UPC Code: 07847751562

Country of Origin: United States - **Eligible for ARRA funded projects*

NEMA: L2-20P



**May include one or more globally sourced components.*



Locking Wiring Devices

Brand Features

Leviton's Industrial Grade Locking Devices are built to provide unparalleled quality and superior performance in the most severe industrial settings. Leviton combines the best materials available with superior production standards to produce a broad selection of Locking Devices of unmatched flexibility and dependability.

Item Description

20 Amp, 250 Volt, NEMA L2-20P, 2P, 2W, Plug, Locking Blade, Industrial Grade, Non-Grounding - BLACK-WHITE

Technical Information

AC Horsepower Ratings

At Rated Voltage: 2 HP

Electrical Specifications

Grounding: Non-Grounding

Amperage: 20 Amp

Voltage: 250 Volt

NEMA: L2-20P

Pole: 2

Wire: 2

Dielectric Voltage: Withstands 2000V per UL498

Current Interrupting: Certified for current interrupting at full rated current

Temperature Rise: Max 30C at 250 cycles OL at 200 pct rated current

Environmental Specifications

Flammability: Rated V-2 per UL94

Operating Temperature: -40C to 60C

Material Specifications

Body Material: Super Tough Nylon

Back Cover: Thermoplastic

Wire Module: Nylon

Cord-Clamp: Nylon

Clamp Insert: Nylon

Blades/Contacts: Solid Brass

Terminal Screws: Brass

Assembly Screws: Steel, Zinc Plated

Color: Black-White

Mechanical Specifications

Terminal ID: Brass-Hot, Green-Ground, Silver-Neutral

Terminal Accom.: 18-10 AWG

Product ID: Ratings and NEMA I.D. permanently marked on device

Cord Range: .245 - .700

Product Features

NEMA: L2-20P

Color: Black-White

Standards and Certifications

NEMA: WD-6

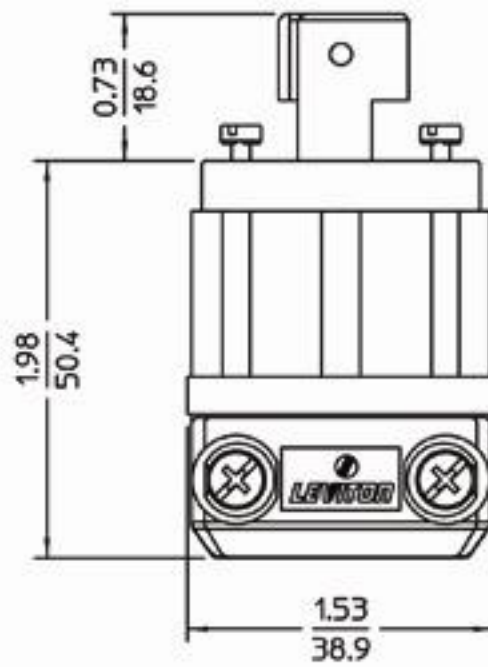
ANSI: C-73

UL498: File E13393

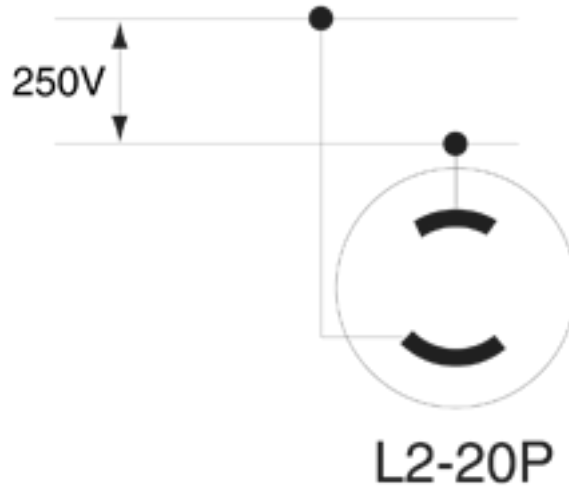
UL Fed Spec WC-596: File E13393

CSA C22.2 No. 42: File LR-406

NOM: 057



CATALOG No. 7102



SPECIFICATION SUBMITTAL

JOB NAME: <input style="width: 95%; height: 20px;" type="text"/>	CATALOG NUMBERS: <input style="width: 95%; height: 20px;" type="text"/>	
JOB NUMBER: <input style="width: 95%; height: 20px;" type="text"/>	<input style="width: 95%; height: 20px;" type="text"/>	<input style="width: 95%; height: 20px;" type="text"/>

Leviton Manufacturing Co., Inc.
 201 North Service Road, Melville, NY 11747
 Telephone: 1-800-323-8920 · FAX: 1-800-832-9538 · Tech Line (8:30AM-7:30PM E.S.T. Monday-Friday): 1-800-824-3005

Leviton Manufacturing of Canada, Ltd.
 165 Hymus Boulevard, Pointe Claire, Quebec H9R 1E9 · Telephone: 1-800-469-7890 ·
 FAX: 1-800-824-3005 · www.leviton.com/canada

Leviton S. de R.L. de C.V.
 Lago Tana 43, Mexico DF, Mexico CP 11290 · Tel.: (+52)55-5082-1040 · FAX: (+52)5386-1797 · www.leviton.com.mx

Visit our Website at: www.leviton.com
 © 2012-2013 Leviton Manufacturing Co., Inc. All rights reserved. Subject to change without notice.

Leviton has a global presence.
 If you would like to know where your local Leviton office is located please go to: www.leviton.com/international/contacts/

**Buy American Compliant Logo -- The American Recovery And Reinvestment Act of 2009 ("ARRA") provides federal grants and loans for projects throughout the country. Section 1605 of the Act, named the "Buy American" provision, requires that certain materials and manufactured products used in projects funded by the Act be manufactured in the United States. The appearance of the Recovery Act Logo in relation to a Leviton product is only intended to reflect that such product may be used in an ARRA funded project. It does not mean that such product or Leviton is sponsored or endorsed by, or that Leviton receives funds from, the federal government or the Recovery Accountability and Transparency Board. Nothing in Leviton's use of the logo is intended to suggest anything regarding the requirements for funding under ARRA.*

