

5651

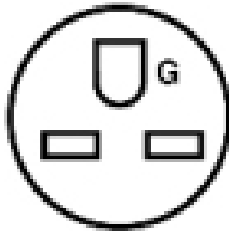


Color:  Black

UPC Code: 07847713039

Country of Origin: Please Contact Customer Service

NEMA: 6-15R



Straight Blade Wiring Devices

Brand Features

Leviton's line of Heavy-Duty Industrial Grade Receptacles are available with a number of wiring options and features. These heavy-duty receptacles are engineered for fine appearance and top performance in demanding commercial and institutional applications using a durable, thermoplastic face and impact-resistant construction.

Item Description

15 Amp, 250 Volt, NEMA 6-15R, 2P, 3W, Industrial Series Heavy Duty Specification Grade, Single Receptacle, Straight Blade, Self Grounding, Side Wired, Steel Strap, - BROWN

Technical Information

AC Horsepower Ratings

At Rated Voltage: 1-1/2 HP

Electrical Specifications

Grounding: Self-Grounding

Amperage: 15 Amp

Voltage: 250 Volt

NEMA: 6-15R

Pole: 2

Wire: 3

Dielectric Voltage: Withstands 2000V per UL498

Current Limiting: Full Rated Current

Temperature Rise: Max 30C after 250 cycles OL at 200 percent rated current

Environmental Specifications

Flammability: Rated V-2 per UL94

Operating Temperature: -40C to 60C

Material Specifications

Face Material: Thermoplastic Nylon

Body Material: Thermoplastic Nylon

Line Contacts: Brass Triple-Wipe

Terminal Screws: Brass 8-32

Grounding Screw: Brass 8-32

Ground Clips: Brass-Plated

Face Material: Nylon

Body Material: Polypropylene

Line Contacts: Phosphor Bronze

Terminal Screws: Plated Brass

Grounding Screw: Plated Steel

Strap Material: Galvanized Steel with Riveted Ground Contacts

Clamp Nuts: Zinc-Plated Steel

Ground Clips: Brass

Color: Brown

Mechanical Specifications

Terminal ID: Brass-Hot, Green-Ground, White-Neutral

Terminal ID: Brass-Hot, Green-Ground, Silver-Neutral

Terminal Accom.: 14-10 AWG

Product ID: Ratings are permanently marked on device

Torque Range: 14-16 inch pounds

Product Features

Grounding: Self Grounding

NEMA: 6-15R

Face Material: Thermoplastic Nylon

Body Material: Thermoplastic Nylon

Color: Brown

Color: Black

Standards and Certifications

NEMA: WD-6

ANSI: C-73

UL498: File E13399

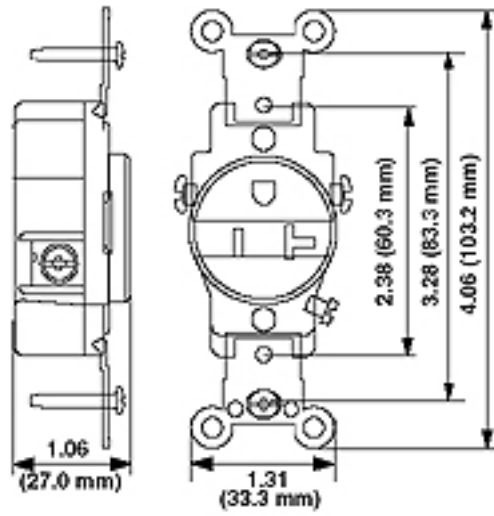
UL Fed Spec WC-596: File E13399

CSA C22.2 No. 42: File 152105

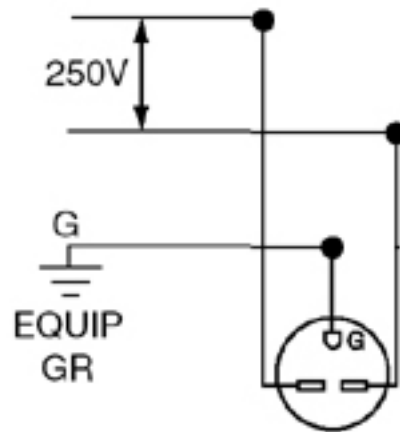
NOM: 057

Warranty: 10 Year Limited

Dimensional Diagram



Wiring Diagram



6-15R

SPECIFICATION SUBMITTAL

JOB NAME: <input type="text"/>	CATALOG NUMBERS: <input type="text"/>	
JOB NUMBER: <input type="text"/>	<input type="text"/>	<input type="text"/>

Leviton Manufacturing Co., Inc.

201 North Service Road, Melville, NY 11747

Telephone: 1-800-323-8920 · FAX: 1-800-832-9538 · Tech Line (8:30AM-7:30PM E.S.T. Monday-Friday): 1-800-824-3005

Leviton Manufacturing of Canada, Ltd.

165 Hymus Boulevard, Pointe Claire, Quebec H9R 1E9 · Telephone: 1-800-469-7890 ·

FAX: 1-800-824-3005 · www.leviton.com/canada

Leviton S. de R.L. de C.V.

Lago Tana 43, Mexico DF, Mexico CP 11290 · Tel.: (+52)55-5082-1040 · FAX: (+52)5386-1797 · www.leviton.com.mx

Visit our Website at: www.leviton.com

© 2012-2013 Leviton Manufacturing Co., Inc. All rights reserved. Subject to change without notice.

Leviton has a global presence.

If you would like to know where your local Leviton office is located please go to: www.leviton.com/international/contacts/

