

# 1223-2KL

# AC Switches



### Item Description

20 Amp, 120/277 Volt, Key Locking 3-Way AC Quiet Switch, Extra Heavy Duty Spec Grade, Self Grounding, Back & Side Wired

### Technical Information

#### Product Features

**Grounding:** Self Grounding

**Amperage:** 20 Amp

**Voltage:** 120/277 Volt

**HP Rating:** 1HP-120V 2HP-240V-277V

**Max. Amperage:** 16 Amp

**Termination:** Back & Side

**Actuator Material:** Steel

**Body Material:** Thermoplastic

**Strap Material:** Steel

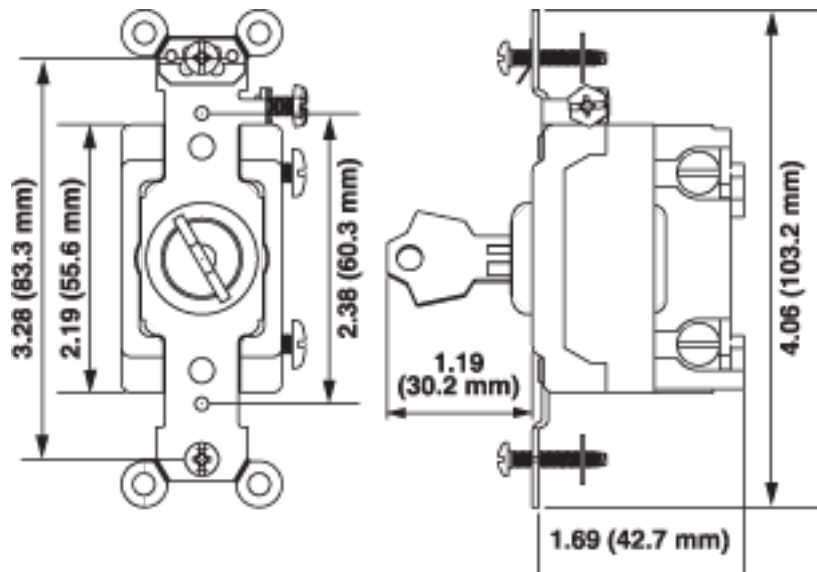
**Color:** Chrome

**Standards and Certifications:** UL/CSA

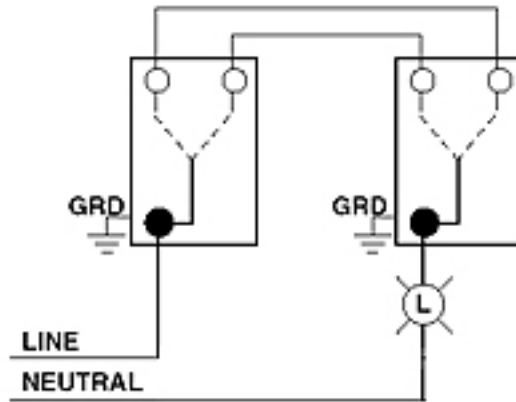
**Warranty:** 10 Year Limited

**UPC Code:** 07847736201

**Country of Origin:** Mexico - \*Eligible for ARRA funded projects > \$7,443,000



## Wiring Diagram 3-Way to 3-Way



### SPECIFICATION SUBMITTAL

|   |  |
|---|--|
| JOB NAME:<br><input style="width: 95%;" type="text"/>   | CATALOG NUMBERS:<br><input style="width: 95%;" type="text"/> |
| JOB NUMBER:<br><input style="width: 95%;" type="text"/> | <input style="width: 95%;" type="text"/>                     |

**Leviton Manufacturing Co., Inc.**  
 201 North Service Road, Melville, NY 11747  
 Telephone: 1-800-323-8920 · FAX: 1-800-832-9538 · Tech Line (8:30AM-7:30PM E.S.T. Monday-Friday): 1-800-824-3005

**Leviton Manufacturing of Canada, Ltd.**  
 165 Hymus Boulevard, Pointe Claire, Quebec H9R 1E9 · Telephone: 1-800-469-7890 ·  
 FAX: 1-800-824-3005 · [www.leviton.com/canada](http://www.leviton.com/canada)

**Leviton S. de R.L. de C.V.**  
 Lago Tana 43, Mexico DF, Mexico CP 11290 · Tel.: (+52)55-5082-1040 · FAX: (+52)5386-1797 · [www.leviton.com.mx](http://www.leviton.com.mx)

Visit our Website at: [www.leviton.com](http://www.leviton.com)  
 © 2012-2013 Leviton Manufacturing Co., Inc. All rights reserved. Subject to change without notice.

**Leviton has a global presence.**  
 If you would like to know where your local Leviton office is located please go to: [www.leviton.com/international/contacts/](http://www.leviton.com/international/contacts/)

*\*Buy American Compliant Logo -- The American Recovery And Reinvestment Act of 2009 ("ARRA") provides federal grants and loans for projects throughout the country. Section 1605 of the Act, named the "Buy American" provision, requires that certain materials and manufactured products used in projects funded by the Act be manufactured in the United States. The appearance of the Recovery Act Logo in relation to a Leviton product is only intended to reflect that such product may be used in an ARRA funded project. It does not mean that such product or Leviton is sponsored or endorsed by, or that Leviton receives funds from, the federal government or the Recovery Accountability and Transparency Board. Nothing in Leviton's use of the logo is intended to suggest anything regarding the requirements for funding under ARRA.*

