

1221-SGY



UPC Code: 07847724064

Country of Origin: United States - **Eligible for ARRA funded projects*



**May include one or more globally sourced components.*



AC Switches

Brand Features

Leviton's Industrial Grade AC toggle switches for extra heavy-duty applications represent top-of-the-line quality and peak performance. Leviton uses the finest materials available and the highest production standards to produce industrial switches of unmatched versatility and reliability.

Item Description

20 Amp, 120/277 Volt, Toggle Single-Pole AC Quiet Switch, Heavy Duty Spec Grade, Grounding, Back & Side Wired - GRAY

Technical Information

AC Horsepower Ratings

HP Rating: 1HP-120V 2HP-240V-277V

Max. Amperage: 16 Amp

Electrical Specifications

Amperage: 20 Amp

Voltage: 120/277 VAC

Dielectric Voltage: Withstands 1500V for 1 minute

Temperature Rise: Maximum 30 degrees C rise

Environmental Specifications

Flammability: Rated V-2 per UL94

Operating Temperature: -40°C to 65°C

Material Specifications

Body Material: Thermoplastic

Base Material: PBT

Strap Material: Steel

Actuator Material: Polycarbonate

Toggle: Polycarbonate

Cover Material: Nylon

Contacts: Silver-Cadmium .031 Thick

Terminal Screws: Steel 8-32

Color: Gray

Mechanical Specifications

Terminal ID: Brass-Hot, Green-Ground, Silver-Neutral

Terminal Accom.: 14-#10 AWG back wired; #14-#12 AWG side wired

Termination: Back & Side

Product ID: Stamped on Strap

Torque Range: 12-14 inch pounds

Product Features

Voltage: 120/277 Volt

Actuator Material: Thermoplastic

Color: Gray

Warranty: 2 Year Limited

Standards and Certifications

NEMA: WD-1 & WD-6

ANSI: C-73

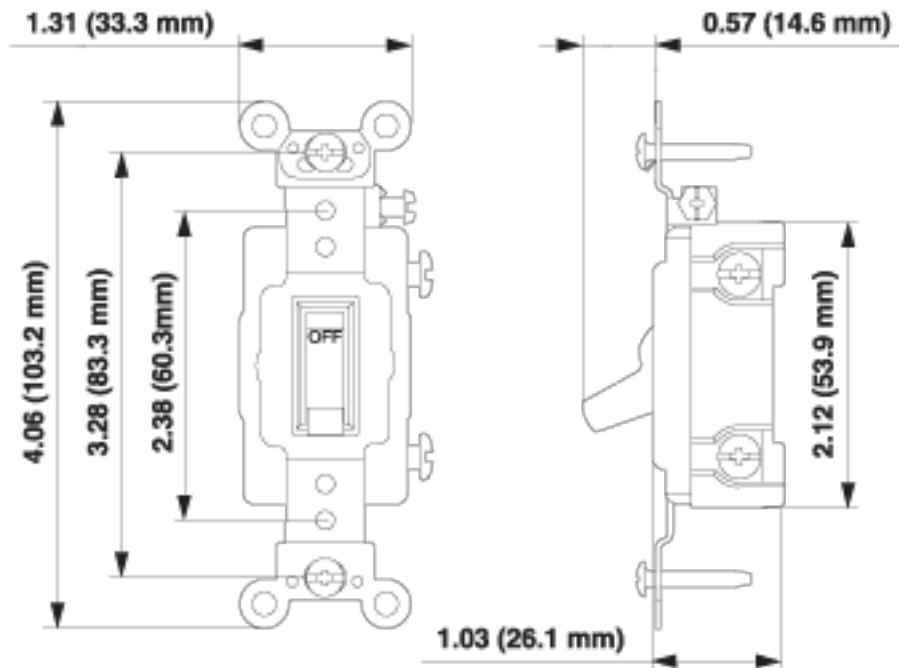
UL Fed Spec WS896E: File #E7458

UL Standard: UL 20

CSA C22.2 No. 111: File #152105

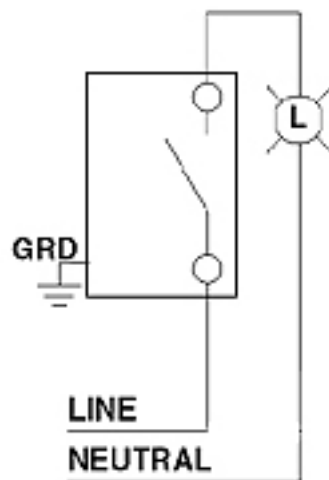
NOM: 057

Warranty: 2-Year Limited



SINGLE-POLE

Wiring Diagram Single Pole



SPECIFICATION SUBMITTAL

JOB NAME:	CATALOG NUMBERS:	
<input type="text"/>	<input type="text"/>	<input type="text"/>
JOB NUMBER:	<input type="text"/>	<input type="text"/>

Leviton Manufacturing Co., Inc.

201 North Service Road, Melville, NY 11747

Telephone: 1-800-323-8920 · FAX: 1-800-832-9538 · Tech Line (8:30AM-7:30PM E.S.T. Monday-Friday): 1-800-824-3005

Leviton Manufacturing of Canada, Ltd.

165 Hymus Boulevard, Pointe Claire, Quebec H9R 1E9 · Telephone: 1-800-469-7890 ·

FAX: 1-800-824-3005 · www.leviton.com/canada

Leviton S. de R.L. de C.V.

Lago Tana 43, Mexico DF, Mexico CP 11290 · Tel.: (+52)55-5082-1040 · FAX: (+52)5386-1797 · www.leviton.com.mx

Visit our Website at: www.leviton.com

© 2012-2013 Leviton Manufacturing Co., Inc. All rights reserved. Subject to change without notice.



Leviton has a global presence.

If you would like to know where your local Leviton office is located please go to: www.leviton.com/international/contacts/

**Buy American Compliant Logo -- The American Recovery And Reinvestment Act of 2009 ("ARRA") provides federal grants and loans for projects throughout the country. Section 1605 of the Act, named the "Buy American" provision, requires that certain materials and manufactured products used in projects funded by the Act be manufactured in the United States. The appearance of the Recovery Act Logo in relation to a Leviton product is only intended to reflect that such product may be used in an ARRA funded project. It does not mean that such product or Leviton is sponsored or endorsed by, or that Leviton receives funds from, the federal government or the Recovery Accountability and Transparency Board. Nothing in Leviton's use of the logo is intended to suggest anything regarding the requirements for funding under ARRA.*