

LevNet RF Self-Powered Wireless Passive Infrared Occupancy Sensors

Self-Powered RF Wireless Passive Infrared (PIR) sensors for use with LevNet RF Receivers



BASIC OPERATION

The Wireless Occupancy Sensors (WSCxx-IRW) have built-in solar cells that draw on available ambient light to power themselves and can operate for up to 48 hours in total darkness. Batteries are not required for continuous operation, however batteries can be added as an option for applications without available ambient light.

For improved detection, the sensors use an enhanced PIR element located directly behind a unique multi-zone optical lens. This exclusive Fresnel lens establishes twice as many zones of detection as traditional sensors. The zones can be configured (masked) to block out unwanted traffic zones (i.e. outside hallway traffic). The WSC15-IRW features superior detection for parallel and perpendicular motion. Innovative sensing technology detects motion moving directly towards the sensor.

The self-powered wireless sensor design also overcomes the placement and coverage challenges of traditional sensors. Self-powered wireless sensors enable flexible placement allowing sensors to be mounted wherever needed without the complexity of moving or installing new wiring.

APPLICATIONS

- Retrofits • New construction • Restrooms
- Conference rooms • Classrooms • Private offices
- Executive offices • Daycare facilities

FEATURES

- **Zero Power Consumption:** solar power provides the energy to keep the device on and sensor technology turns the lights off, eliminating additional expenses to the end user's energy bill
- **Zero External Power Required:** with no power wire limitations, this enables the installer to place the sensor in the optimal location of any application to capture minor motion and reduce false OFFs
- **Self-Powered, Self-Charging:** angled solar cells are optimal for light collection enabling the sensor to capture additional ambient light over flat solar cells - 100 LUX vs. 70-80 LUX
- **Quick Charge Time to Operation:** self-powered technology enables the sensor to be operational after a minimum charge time of 1 minute
- **True Wireless:** sensors are self-powered and communicates with all LevNet RF and EnOcean Receivers via radio frequency
- **No Additional Wiring:** self-powered wireless technology eliminates the need to pull additional wire making installation quick and easy and increasing labor savings with little to no impact to business during conversion
- **No Batteries or External Power Required:** exclusive "battery-less" technology significantly reduces callbacks and maintenance for additional savings
- **Up to 48 Hours of Stored Power:** solar panel provides up to 48 hours of power to the sensor when no ambient light is available (for extended "OFF" time, a battery option is available)
- **Advanced Field-of-View:** superior detection for parallel and perpendicular motion; innovative technology detects motion moving directly towards the sensor; 360° rotation to fine tune location of solar cells and field-of-view
- **Improved Aesthetics:** blends seamlessly with ceiling décor and architecture
- **Additional Energy Savings:** wireless technology supports simplified daylight harvesting and manual override options with no additional wiring

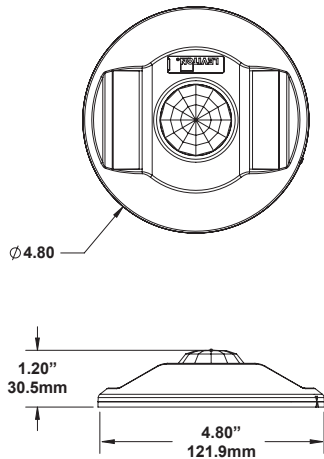
Leviton Mfg. Co., Inc. Lighting Management Systems

201 N. Service Rd. Melville, NY 11747-3138 Tech Line: 1-800-824-3005 Fax: 1-800-832-9538 www.leviton.com/lms
© 2010 Leviton Manufacturing Co., Inc. All rights reserved. Subject to change without notice.

PRODUCT DATA

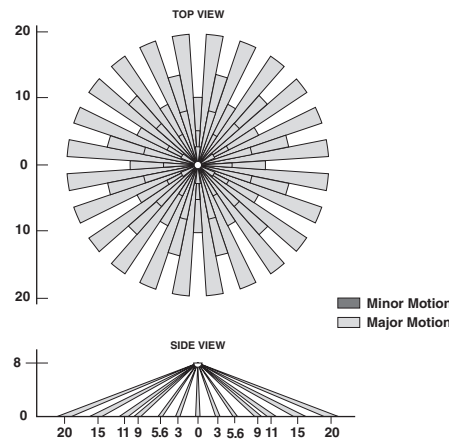


DIMENSIONS

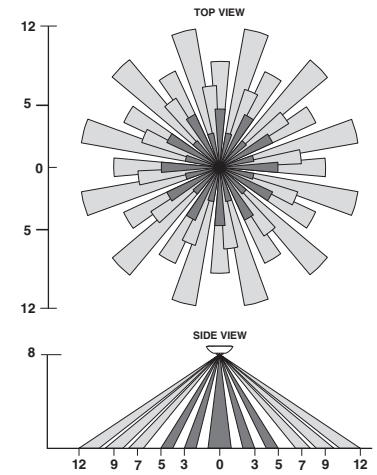


FIELD-OF-VIEW

WSC15 Field of View (in feet)



WSC04 Field of View (in feet)



SPECIFICATIONS

ENVIRONMENTAL	
Frequency	315MHz
Range	up to 100 feet
Transmission Interval	60 seconds
Minimum Light Required	4FC (40 LUX)
Solar Cell Operating Range	4-100FC (40-1000 LUX)
Minimum Charge Time to Begin Operation	1 minute @ 20FC (200 LUX)
Maximum Charge Time	8 hours @ 20FC (200 LUX)
Maintain Charge Time	3 hours per 24 hours @ 20FC (200 LUX)
Operating Life at Full Charge	48 hours
Optional Battery Life	10 years
Operating Temperature Range	32°F to 104°F (0°C to 40°C)
Storage Temperature Range	-4°F to 158°F (-20°C to 70°C)
Relative Humidity	0% to 95%, non-condensing
Usage	Indoors only
Mounting Height	8-12 feet

OTHER	
Listings	CEC Title 24 Compliant, FCC Certified for wireless communication
Warranty	Limited 5-year

ORDERING INFORMATION

CAT. NO.*	DESCRIPTION
WSC04-IRW	LevNet RF Self Powered PIR Occupancy Sensor, 450SF
WSC15-IRW	LevNet RF Self-Powered PIR Occupancy Sensor, 1500SF

*NAFTA compliant and Made in USA models available.

Contact Leviton for a complete list of LevNet RF Self-Powered Wireless Solutions. The line includes Wall Switch Wire In Receivers, Transmitter Switches, Thermostats, Room Controllers and more.



LEVITON SPECIFICATION SUBMITTAL	
JOB NAME:	CATALOG NUMBERS:
JOB NUMBER:	

Leviton Manufacturing Co., Inc.

201 N. Service Rd. Melville, NY 11747-3138 Tech Line: 1-800-824-3005 Fax: 1-800-832-9538 www.leviton.com/lms

Leviton Manufacturing of Canada, Ltd.

165 Hymus Boulevard, Pointe Claire, Quebec H9R 1E9 • Telephone: 1-800-469-7890 • FAX: 1-800-563-1853

Leviton S. de R.L. de C.V.

Lago Tana 43, Mexico DF, Mexico CP 11290 • Tel. (+52) 55-5082-1040 • FAX: (+52) 5386-1797 • www.leviton.com.mx

Visit our Website at: www.leviton.com/lms

© 2010 Leviton Manufacturing Co., Inc. All rights reserved. Subject to change without notice.

G-8363/D10-ak

WSC04-IRW • WSC15-IRW