

## Mobile Device Station

### APPLICATION

Leviton's Mobile Device Station creates a convenient mounted location to charge a portable device without the need to make new holes in a wall. The station attaches to a power outlet wallplate in three different mounting configurations and includes integrated cable management. The simple open design allows for easy installation and maintains the touchscreen functionality of the device while in the cradle. The Mobile Device Station's flexible polycarbonate design is compatible with most smartphones and portable music devices and is available in three colors.

Works with many wallplate styles



### SPECIFICATION

The Mobile Device Station shall be RoHS compliant and be made of polycarbonate. The station shall fit Decora® or Renu® wallplates and be available in a total of three colors. The station shall be configurable in three mounting positions. The device station shall hold up to five pounds and provide integrated cable management.

### FEATURES

- Provides a safe convenient place for charging a mobile device
- Does not require any new holes in wall
- Integrated cable management for charging cables
- Ideal for use with audio systems
- Cable notch keeps cable ready for insertion
- Right, center or left side mounting options
- Easy three-step installation
- Installs with a screwdriver, no additional tools needed
- Available in three colors:
  - Decora: White, Light Almond, Black
  - Renu: White on White, Navajo Sand, Onyx Black

### DESIGN CONSIDERATIONS

- Compatible with most smartphones and MP3 players
- Requires a Decora or Renu wallplate, sold separately
- Made of flexible polycarbonate
- Holds up to five pounds
- Can be mounted as a stand-alone unit or with other devices

### STANDARDS COMPLIANCE

RoHS compliant

### PHYSICAL SPECIFICATIONS

Materials: Polycarbonate

Dimensions: See page two

### COUNTRY OF ORIGIN

United States of America

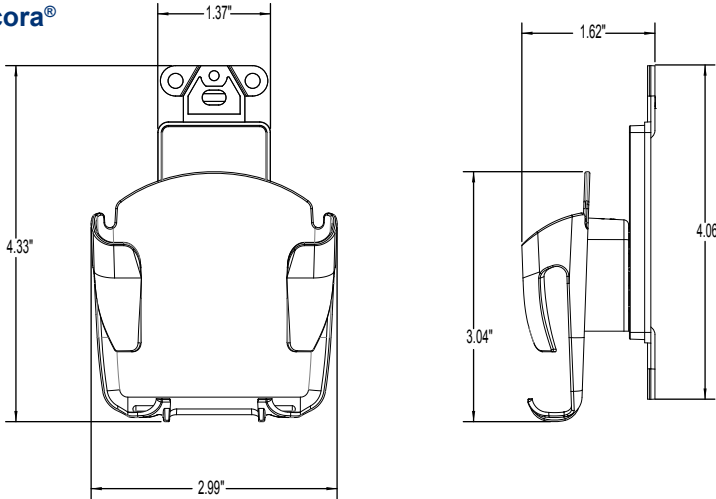
### WARRANTY INFORMATION

For a copy of Leviton product warranties, visit [www.leviton.com](http://www.leviton.com).

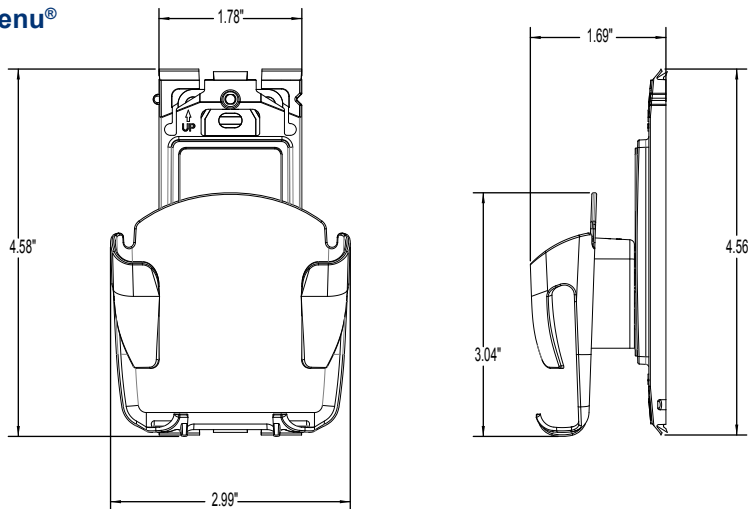
**ELECTRONIC FILES**

For CAD files, typical specs, or technical drawings (.DXF, .DWG), visit [www.leviton.com](http://www.leviton.com).

**Decora®**



**Renu®**



**PART NUMBERS**

Description	Part No.
Decora Mobile Device Station, White*	47112-00W
Decora Mobile Device Station, Light Almond*	47112-00T
Decora Mobile Device Station, Black*	47112-00E
Renu Mobile Device Station, White on White*	47112-RWW
Renu Mobile Device Station, Navajo Sand*	47112-RNS
Renu Mobile Device Station, Onyx Black*	47112-ROB

\*Wallplate not included



**Leviton Network Solutions**  
2222 - 222nd St. SE  
Bothell, WA 98021-4416

**Asia / Pacific**  
T +1.631.812.6228  
E infoasean@leviton.com

**Canada**  
T +1.514.954.1840  
E pcservice@leviton.com

**Caribbean**  
T +1.954.593.1896  
E infocaribbean@leviton.com

**China**  
T +852.2774.9876  
E infochina@leviton.com

**Colombia**  
T +57.1.743.6045  
E infocolombia@leviton.com

tel 1-800-824-3005  
tel +1-425-486-2222  
appeng@leviton.com  
www.leviton.com

**Europe**  
T +33.6.8869.1380  
E infoeurope@leviton.com

**India / SAARC**  
T +91.80.4322.5678  
E infoindia@leviton.com

**Mexico**  
T +52.55.5082.1040  
E lsamarketing@leviton.com

**Middle East & Africa**  
T +971.4.886.4722  
E lmeinfo@leviton.com

**South Korea**  
T +82.2.3273.9963  
E infokorea@leviton.com