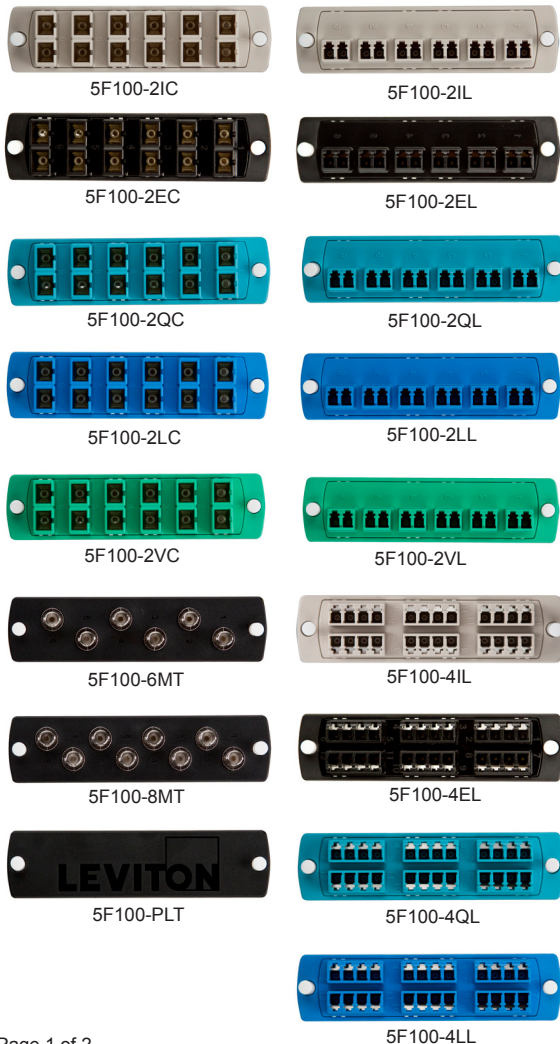
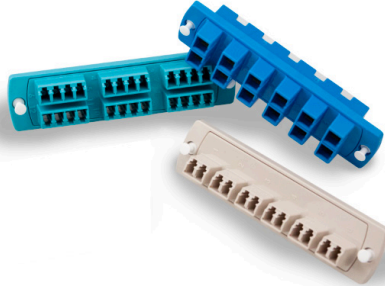


Opt-X® Fiber Adapter Plates — Precision Molded

APPLICATION

Leviton Opt-X fiber adapter plates are used in conjunction with Opt-X panels or enclosures (rack- or wall-mount) to provide a means to connect backbone to backbone or backbone to horizontal fiber cabling. The Opt-X fiber adapter plates are offered in SC, LC, and ST versions.



SPECIFICATION

The Opt-X adapter plate shall be modular and functional for use in an Opt-X panel or enclosure (rack- or wall-mount). The adapter plate shall be offered in SC, LC, and ST styles in 6, 8, 12, or 24 fiber configurations. The adapter plate shall be compliant to TIA-568-C.3 (for performance) and respective TIA-604-X (for intermateability) standards. Adapter plates shall use zirconia ceramic sleeves and be offered in standard fiber type colors pursuant to TIA-568-C.3 standards. The adapter and plate shall be integrated to eliminate "rattle" and loose fit. Adapter plates shall be made in the United States of America.

FEATURES

- Integrated SC & LC plates (two pieces) to eliminates the "rattle" and loose fit
- Adapter plates use zirconia ceramic sleeves for optimal performance in 1 Gbps and higher transmission speeds
- SC and LC plates offered in standard fiber type colors
- Adapter plates offered in SC, LC, ST, and blank styles
- Captive push-lock pins allow for quick tool-less installation
- Compatible with all Opt-X panels and enclosures (rack- or wall-mount)

DESIGN CONSIDERATIONS

- Arrange adapter plates within panel or enclosure to allow for future growth
- Colored plate or fiber adapters will identify fiber type used
- Visible sequential numbering to identify ports (for Tx & Rv)
- 4RU rack-mount enclosure accomodates up to 15 adapter plates for highest density per RU
- Zirconia ceramic sleeve typically used on laser optimized multimode and single-mode applications (OM3, OM4, OS2)

STANDARDS COMPLIANCE

- Meets TIA-568-C.3 for performance requirements
- Meets TIA-604-2B (ST), -3B (SC), -10B (LC) for connector intermateability

PHYSICAL SPECIFICATIONS

Materials: Adapter plate: constructed of engineered polymer, various pantone colors

COUNTRY OF ORIGIN

Made in the United States of America

5F100-xxx (precision molded)

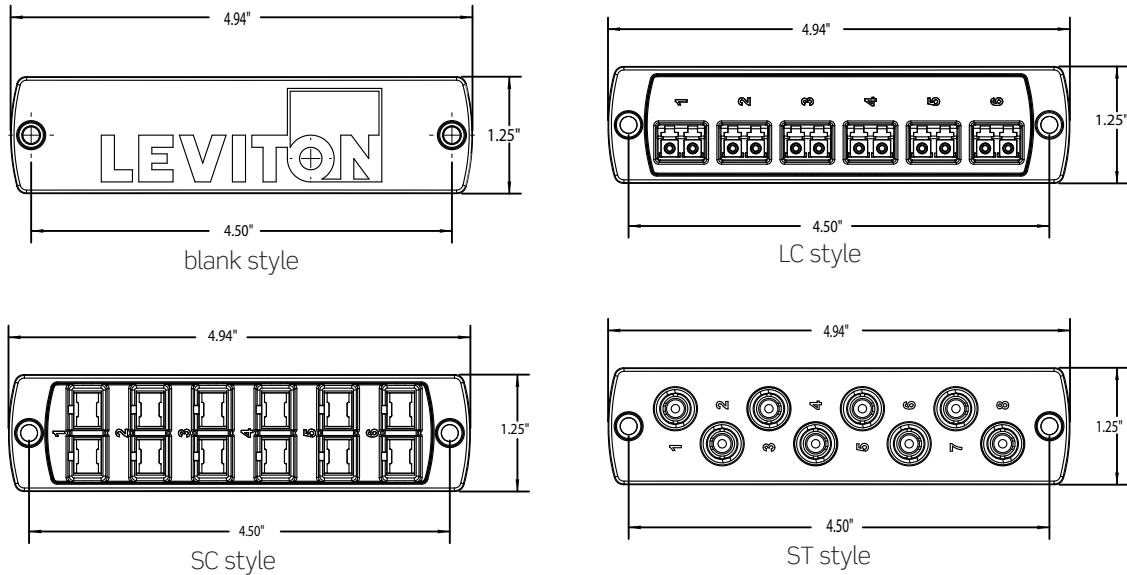
| | | | | | |
|---|---|---|--|---|--|
| Leviton Network Solutions 2222 - 222nd St. SE Bothell, WA 98021-4416 tel 1-800-824-3005 tel +1-425-486-2222 appeng@leviton.com www.leviton.com | Asia / Pacific T +1.631.812.6228 E infoasean@leviton.com | Canada T +1.514.954.1840 E pcservice@leviton.com | Caribbean T +1.954.593.1896 E infocaribbean@leviton.com | China T +852.2774.9876 E infochina@leviton.com | Colombia T +57.1.743.6045 E infocolombia@leviton.com |
| | Europe T +33.6.8869.1380 E infoeurope@leviton.com | India / SAARC T +91.80.4322.5678 E infoindia@leviton.com | Mexico T +52.55.5082.1040 E lsamarketing@leviton.com | Middle East & Africa T +971.4.886.4722 E lmeinfo@leviton.com | South Korea T +82.2.3273.9963 E infokorea@leviton.com |

WARRANTY INFORMATION

For a copy of Leviton product warranties, visit www.leviton.com.

ELECTRONIC FILES

For CAD files, typical specs, or dimensional line art (.DXF, .DWG, Visio), visit www.leviton.com.



5F100-xxx (precision molded)

| Opt-X® PRECISION MOLDED FIBER ADAPTER PLATES | |
|--|-----------|
| Description | Part No. |
| Plate (beige), 62.5 µm MM (OM1), Duplex SC, 12-fiber, zirconia ceramic sleeve | 5F100-2IC |
| Plate (black), 50 µm MM (OM2), Duplex SC, 12-fiber, zirconia ceramic sleeve | 5F100-2EC |
| Plate (aqua), 50 µm LOMM (OM3 & 4), Duplex SC, 12-fiber, zirconia ceramic sleeve | 5F100-2QC |
| Plate (blue), SM (OS1 & 2), Duplex SC, 12-fiber, zirconia ceramic sleeve | 5F100-2LC |
| Plate (green), SM/APC (OS1 & OS2), Duplex SC, 12-fiber, zirconia ceramic sleeve | 5F100-2VC |
| Plate (beige), 62.5 µm MM (OM1), Duplex LC, 12-fiber, zirconia ceramic sleeve | 5F100-2IL |
| Plate (black), 50 µm MM (OM2), Duplex LC, 12-fiber, zirconia ceramic sleeve | 5F100-2EL |
| Plate (aqua), 50 µm LOMM (OM 3 & 4) Duplex LC, 12-fiber, zirconia ceramic sleeve | 5F100-2QL |
| Plate (blue), SM (OS1 & 2), Duplex LC, 12-fiber, zirconia ceramic sleeve | 5F100-2LL |
| Plate (green), SM/APC (OS1 & OS2), Duplex LC, 12-fiber, zirconia ceramic sleeve | 5F100-2VL |
| Plate (beige), 62.5 µm MM (OM1), Quad LC, 24-fiber, zirconia ceramic sleeve | 5F100-4IL |
| Plate (black), 50 µm MM (OM2), Quad LC, 24-fiber, zirconia ceramic sleeve | 5F100-4EL |
| Plate (aqua), 50 µm LOMM (OM3 & 4) Quad LC, 24-fiber, zirconia ceramic sleeve | 5F100-4QL |
| Plate (blue), SM (OS1 & OS2), Quad LC, 24-fiber, zirconia ceramic sleeve | 5F100-4LL |
| Plate (black), ST MM/SM, 6-fiber, zirconia ceramic sleeve | 5F100-6MT |
| Plate (black), ST MM/SM, 8-fiber, zirconia ceramic sleeve | 5F100-8MT |
| Plate (black), Blank | 5F100-PLT |

