

61110-RE6

Data and A/V Connectors

Brand Features

Leviton's eXtreme 6+ Connector is designed to be used with all Leviton QuickPort compatible products. The connectors include Leviton's patented "Retention Force Technology" (RFT) which promotes consistent performance over the life of the system. Includes unique pair separation towers allowing for quicker and easier terminations. The connector is configured in a 180 Degree configuration such that the punch field is in the back, allowing for rear termination.

Item Description

eXtreme 6+ QuickPort Connector, CAT 6, black

Technical Information

Product Features

Category Rating: eXtreme CAT 6+

Color: Black

Packaging: Single Pack 1/bag



Color:  Black

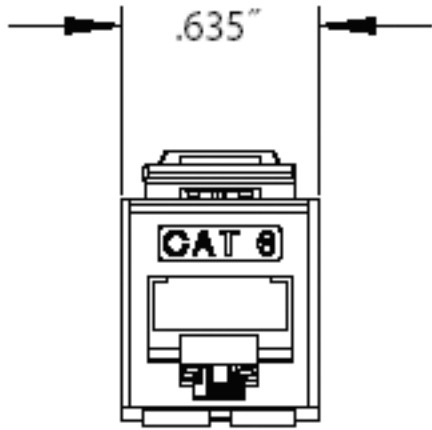
UPC Code: 07847714461

Country of Origin: United States - **Eligible for ARRA funded projects*

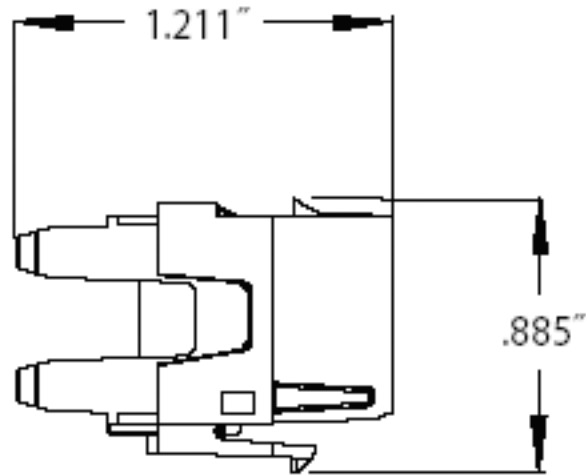


**May include one or more globally sourced components.*





Front View



Side View

SPECIFICATION SUBMITTAL

JOB NAME:	CATALOG NUMBERS:	
JOB NUMBER:		

Leviton Manufacturing Co., Inc.

201 North Service Road, Melville, NY 11747

Telephone: 1-800-323-8920 · FAX: 1-800-832-9538 · Tech Line (8:30AM-7:30PM E.S.T. Monday-Friday): 1-800-824-3005

Leviton Manufacturing of Canada, Ltd.

165 Hymus Boulevard, Pointe Claire, Quebec H9R 1E9 · Telephone: 1-800-469-7890 ·

FAX: 1-800-824-3005 · www.leviton.com/canada

Leviton S. de R.L. de C.V.

Lago Tana 43, Mexico DF, Mexico CP 11290 · Tel.: (+52)55-5082-1040 · FAX: (+52)5386-1797 · www.leviton.com.mx

Visit our Website at: www.leviton.com

© 2012-2013 Leviton Manufacturing Co., Inc. All rights reserved. Subject to change without notice.



Leviton has a global presence.

If you would like to know where your local Leviton office is located please go to: www.leviton.com/international/contacts/

**Buy American Compliant Logo -- The American Recovery And Reinvestment Act of 2009 ("ARRA") provides federal grants and loans for projects throughout the country. Section 1605 of the Act, named the "Buy American" provision, requires that certain materials and manufactured products used in projects funded by the Act be manufactured in the United States. The appearance of the Recovery Act Logo in relation to a Leviton product is only intended to reflect that such product may be used in an ARRA funded project. It does not mean that such product or Leviton is sponsored or endorsed by, or that Leviton receives funds from, the federal government or the Recovery Accountability and Transparency Board. Nothing in Leviton's use of the logo is intended to suggest anything regarding the requirements for funding under ARRA.*