

16693

Portable GFCI Devices

Brand Features

Leviton's Automatic Reset GFCI Devices are now sleeker and more rugged than ever! And, while these devices are fully OSHA compliant for use on job sites, they are also perfect for use in a variety of temporary power applications, such as recreation vehicles, marine vehicles, portable pools, portable generators, submersible pumps, vending machines and more.

Item Description

15-Amp, 120-Volt, Right-Angle GFCI Plug (5-15P), Grounded.

Technical Information

AC Horsepower Ratings

At Rated Voltage: 3/4 Horsepower

Electrical Specifications

Grounding: GFCI Ground Fault

Amperage: 15 Amp

Voltage: 120 Volt

NEMA: 5-15P

Pole: 2

Wire: 3

Current Interrupting: 2 kA

Trip Level: 5mA plus or minus 1mA

Environmental Specifications

Flammability: Rated V-2 per UL94

Operating Temperature: -35C - 66C

Material Specifications

Body Material: Polycarbonate

Blades/Contacts: Brass

Color: Black

Mechanical Specifications

Terminal ID: Brass-Hot, Green-Ground, Silver-Neutral

Terminal Accom.: 18-12 AWG

Product ID: Ratings permanently marked on device

Cord Range: .330 - .597

Product Features

NEMA: 5-15P

Color: Black

Standards and Certifications

NEMA: WD-6

ANSI: C-73

UL 943: Class A (GFCI)

UL Listed: E-48380

CSA C22.2: File LR-57811

NOM: 057



Color:

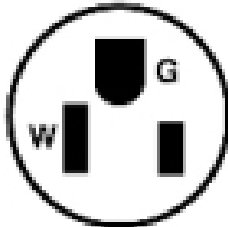


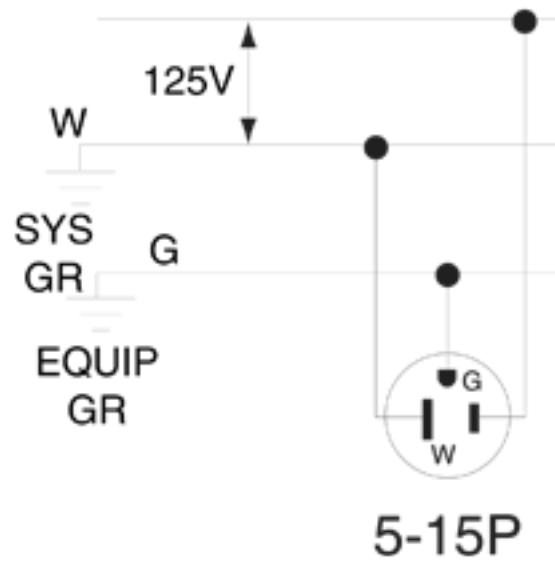
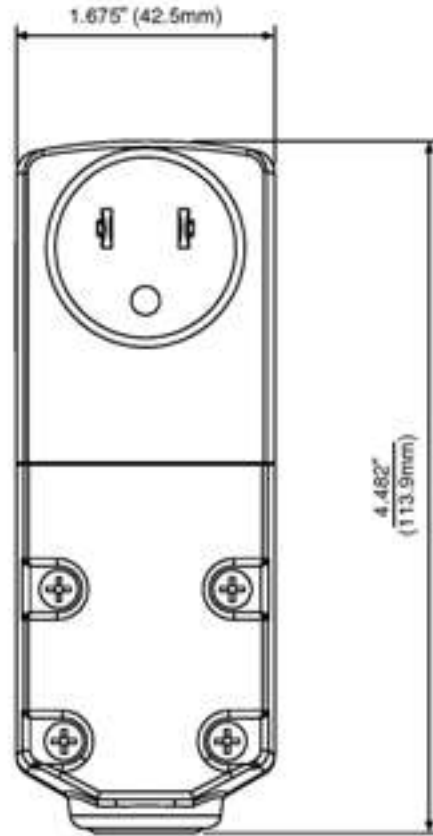
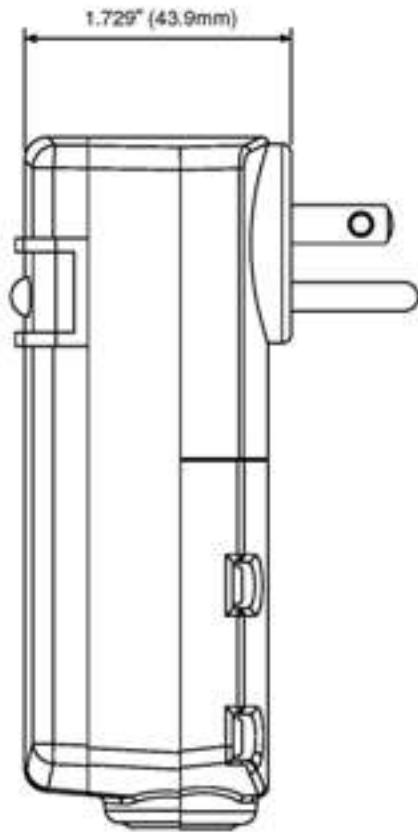
Black

UPC Code: 07847746077

Country of Origin: China

NEMA: 5-15P





SPECIFICATION SUBMITTAL

JOB NAME: <input type="text"/>	CATALOG NUMBERS: <input type="text"/>	
JOB NUMBER: <input type="text"/>	<input type="text"/>	<input type="text"/>

Leviton Manufacturing Co., Inc.

201 North Service Road, Melville, NY 11747

Telephone: 1-800-323-8920 · FAX: 1-800-832-9538 · Tech Line (8:30AM-7:30PM E.S.T. Monday-Friday): 1-800-824-3005

Leviton Manufacturing of Canada, Ltd.

165 Hymus Boulevard, Pointe Claire, Quebec H9R 1E9 · Telephone: 1-800-469-7890 ·

FAX: 1-800-824-3005 · www.leviton.com/canada

Leviton S. de R.L. de C.V.

Lago Tana 43, Mexico DF, Mexico CP 11290 · Tel.: (+52)55-5082-1040 · FAX: (+52)5386-1797 · www.leviton.com.mx

Visit our Website at: www.leviton.com

© 2012 Leviton Manufacturing Co., Inc. All rights reserved. Subject to change without notice.

Leviton has a global presence.

If you would like to know where your local Leviton office is located please go to: www.leviton.com/international/contacts/

