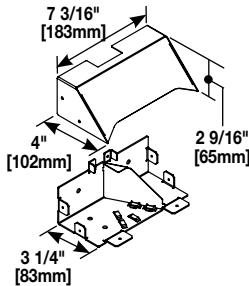
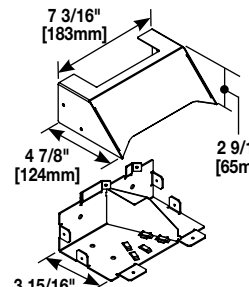
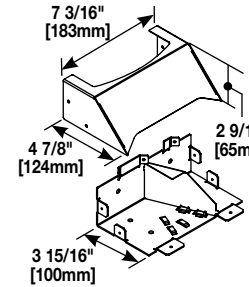
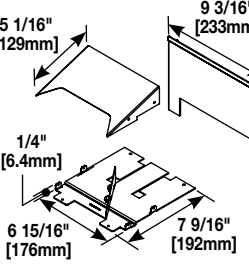
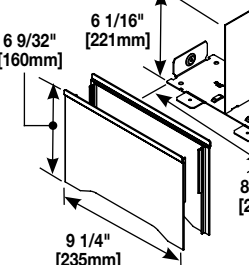
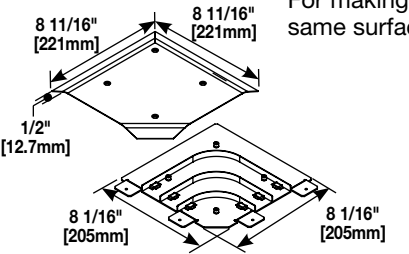
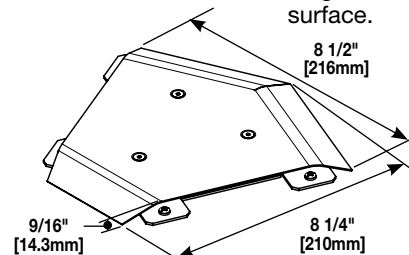
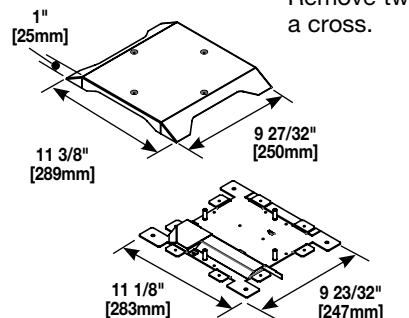
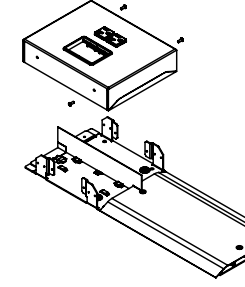


OFR Series Overfloor Raceway System Ordering Information

Catalog No./Item	Description/Specifications
<p>OFR89-2400</p> 	<p>OFR 2400 Raceway Transition – For connecting vertical runs of 2400 & 2400D Series Raceway with OFR Series Raceway. Includes removable divider that can be positioned to feed any raceway channel.</p>
<p>OFR89-4000</p> 	<p>OFR 4000 Raceway Transition – For connecting vertical runs of 4000 Series Raceway with OFR Series Raceway. Includes removable divider that can be positioned to feed any raceway channel.</p>
<p>OFR89-DS4000</p> 	<p>OFR DS4000 Raceway Transition – For connecting vertical runs of DS4000 Series Raceway with OFR Series Raceway. Includes removable divider that can be positioned to feed any raceway channel.</p>
<p>OFR89-VIS</p> 	<p>OFR Vista Point5 Transition – For connecting OFR Series Raceway to Vista Point5 Architectural Columns.</p>
<p>OFR89-VFL</p> 	<p>OFR Large Vista Transition – For connecting OFR Series Raceway to Vista Architectural Columns.</p>
<p>OFR11</p> 	<p>OFR Flat Elbow – For making right angle turns on the same surface.</p>
<p>OFR12</p> 	<p>OFR 45° Flat Elbow – For making diagonal 45° turns on the same surface.</p>
<p>OFR15</p> 	<p>OFR Tee/Cross – For branching OFR Series Raceway at right angles. Remove twistout on cover to make a cross.</p>
<p>OFR48-2MRTC</p> 	<p>OFR Transition Box – Allows cords and cables to make a smooth concealed transition to the underside of the table when used with the InteGreat™ Transition Channel (MRTC).</p>