



Wiremold

Legrand/Wiremold electrical systems conform to and should be properly grounded in compliance with requirements of the current National Electrical Code or codes administered by local authorities.

All electrical products may present a possible shock or fire hazard if improperly installed or used. Legrand/Wiremold electrical products may bear the mark of a Nationally Recognized Testing Laboratory (NRTL) and should be installed in conformance with current local and/or the National Electrical Code.

# Poke-Thru Abandonment Plates & Plugs

## INSTALLATION INSTRUCTIONS

Installation Instruction No.: 1 002 048 R4 – Updated January 2012

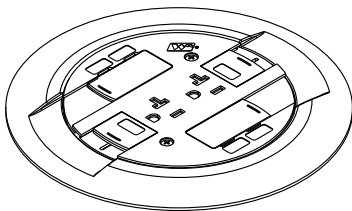
**IMPORTANT: Please read all instructions before beginning.**

Products Covered – Abandonment Plates: RC7APTC, RC9APTC, AMD8APTC, AV3APTC, RC4APTC, RC3APTC  
Abandonment Plugs: ABPLUG3, ABPLUG4, ABPLUG6 and ABPLUG8.

**NOTE:** Abandonment plates and plugs are required to maintain the fire rating of the floor assembly whenever a poke-thru fitting is abandoned. The abandonment plates and plugs shown in these instructions are in the UL Fire Resistance Directory.

**ABANDONMENT INSTRUCTIONS – For use when the poke-thru unit is left in the floor.**  
Covers the following series of devices: RC7, RC9, RC9AMD, RC4, RC3, AV3 and AMD8

**Step 1** Existing poke-thru unit.

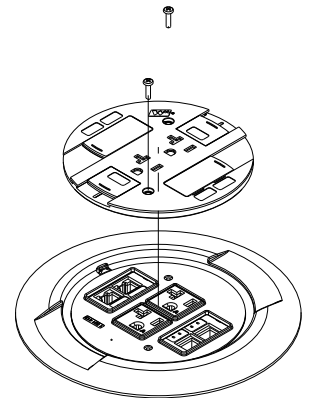


**NOTE:** RC3 Series shown in example. RC4, RC7, and RC9 Series abandonment installations follow the same steps.

**CAUTION:** RC3, RC4, RC7, and RC9 Series must be abandoned with receptacles installed.

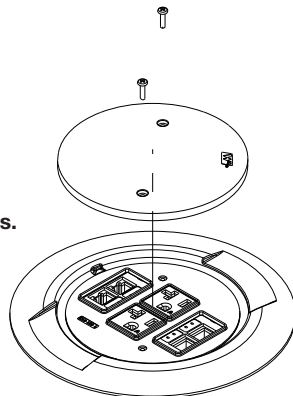
**Step 2** Remove two screws in slide holder. Remove slide holder and attached doors.

**IMPORTANT:** The internal gasket, duplex receptacle, and communication modules must not be removed to maintain UL Listing and Classification.

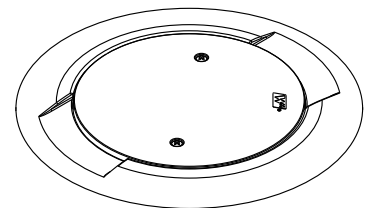


**Step 3** Attach abandonment plate with two screws provided.

**CAUTION:** Do not over tighten cover mounting screws.

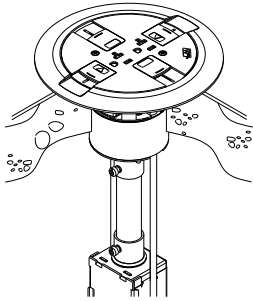


**Step 4** Complete installation.

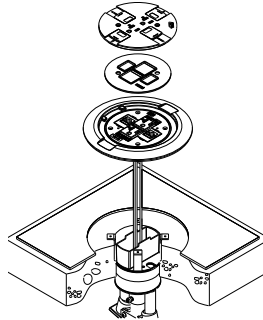


**ABANDONMENT INSTRUCTIONS – for use when the poke-thru unit is removed from the floor.**  
**Covers all 3", 4", 6" and 8" poke-thru devices**

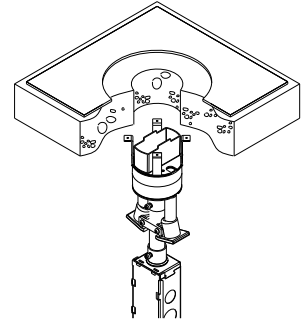
**Step 1** Locate poke-thru unit or core hole that needs to be sealed with an abandonment plug.



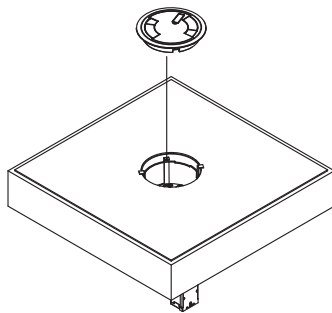
**Step 2a For ABPLUG3 & ABPLUG4:** Remove slide holder assembly and the internal gasket. Disconnect power and communications devices and remove flange.



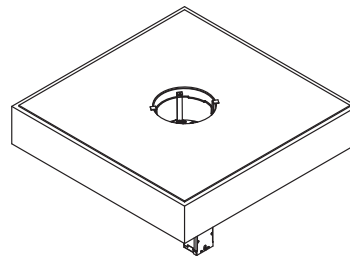
**Step 3a For ABPLUG3 & ABPLUG4:** Remove poke-thru unit from hole.



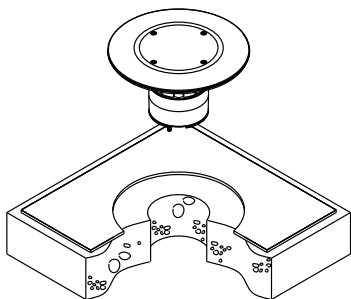
**Step 2b For ABPLUG6 & ABPLUG8:** Remove cover assembly from Poke-Thru by removing two (2) 8-32 screws and lifting cover off.



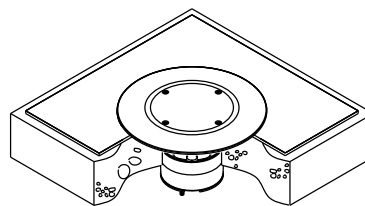
**Step 3b For ABPLUG6 & ABPLUG8:** Remove poke-thru unit from floor by bending tabs inward and pulling unit up.



**Step 4** Push in proper abandonment plug.  
 For 3" core hole, use **ABPLUG3**  
 For 4" core hole, use **ABPLUG4**  
 For 6" core hole, use **ABPLUG6**  
 For 8" core hole, use **ABPLUG8**



**Step 5** Installation complete.



**Wiremold**

**WIREMOLD**

**U.S. and International:**

60 Woodlawn Street • West Hartford, CT 06110  
 1-800-621-0049 • FAX 860-232-2062 • Outside U.S.: 860-233-6251

**Canada:**

570 Applewood Crescent • Vaughan, Ontario L4K 4B4  
 1-800-723-5175 • FAX 905-738-9721

