

PW-302 Passive Infrared Dual Relay Wall Switch Occupancy Sensor

High sensitivity and dense coverage for exceptional performance

Two relays for control of two separate lighting loads or circuits

Defaults to Auto-ON to 50% operation for maximum energy savings



Optional neutral connection with break off tab to expose neutral terminals

120/277 VAC and 347 VAC models

Allows multi-way control from one of up to four control locations

PROJECT
LOCATION/TYPE

Product Overview

Description

The PW-302 passive infrared (PIR) wall switch sensor turns lights ON and OFF based on occupancy. It contains two relays for controlling two independent lighting loads or circuits, and a variety of features.

Operation

The PW-302 replaces existing wall switches and installs in a single gang junction box with or without either neutral wiring. Each of the PW-302's relays can control a separate lighting load. The device uses advanced PIR technology to detect occupancy and turn the first relay ON. The other relay must be manually engaged to turn remaining lights on. Once the space is vacated and the time delay elapses, all lights automatically turn OFF. Dual ON/OFF buttons allow the user to manually turn on and off each of the loads. DIP switch settings allow for a variety of control options such as Manual-ON or Auto-ON for each relay, walk-through and test modes. Multiple sensors may be used for control of one or more loads from up to four locations.

Optional Neutral Connection

The PW-302 sensor uses a patent pending Neutral Sense Technology. Any PW-302 sensor can be used for a two-wire or three wire application, either to work with existing wiring, or to meet local or national code requirements. An easy-to-break plastic tab covers neutral screw terminals. Once the sensor is connected to neutral it complies with all codes that restrict current leakage to ground.

Applications

The PW-302 sensor is great for retrofit projects and well suited for small, enclosed spaces with a clear line of sight of the occupant. In addition, its dual relays allow bi-level switching or control of a secondary load. Common applications include small office, small conference room and lunch/break rooms.

Features

- Complies with 2011 NEC requirements
- Zero-crossing on both relays for long relay life
- Vandal resistant lens combines precise coverage with durability
- Selectable walk-through mode turns lights off three minutes after the room is initially occupied if no motion is detected after the first 30 seconds
- Test mode allows quick and easy adjustments
- LED indicates occupancy detection
- Selectable audible and/or visual alerts for impending shutoff
- In automatic mode, sensor returns automatically to Auto-ON after lights are turned off manually; ideal for presentations
- Optional light level sensor holds secondary lights off when ambient lighting is above the preset level
- Service mode allows sensor to operate as a service switch in the unlikely event of a failure
- Sensor coverage tested to NEMA Guide Publication WD 7-2000
- Compatible with decorator wall plates

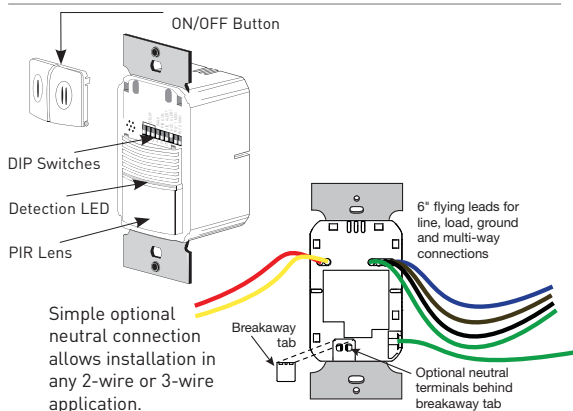


Specifications

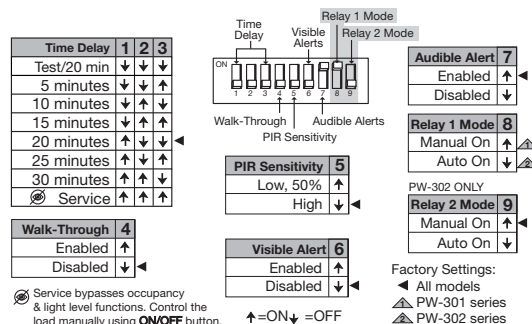
- PW-302: 120/277VAC; 50/60Hz, 1/6 hp @ 120VAC, 0-800W ballast, LED, and tungsten @ 277VAC, 0-1000W ballast and LED
- PW-302-347: 347VAC; 50/60Hz, 1/6 hp; 0-1200W ballast and LED
- Time delays: 5, 10, 15, 20, 25 or 30 minutes, walk-through, test-mode
- Coverage: Major motion 35' x 30'
Minor motion 20' x 15'
- Sensitivity adjustment: PIR (high/low)
- Dimensions (L x W x D):
 - PW-302: 4.1" x 1.58" x 1.39" (104.6mm x 40.3mm x 35.5mm)
 - PW-302-347: 4.5" x 1.58" x 1.39" (114.36mm x 40.3mm x 35.5mm)
- UL and cUL listed
- Five year warranty

Controls & Settings

Product Controls & Neutral Option

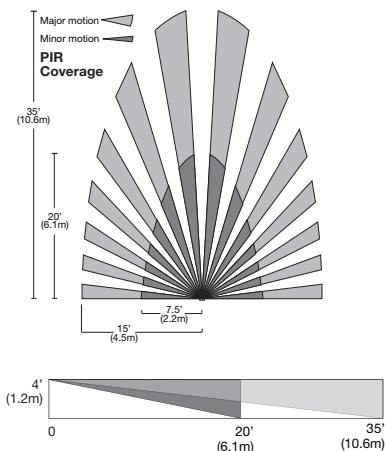


DIP Switch Settings



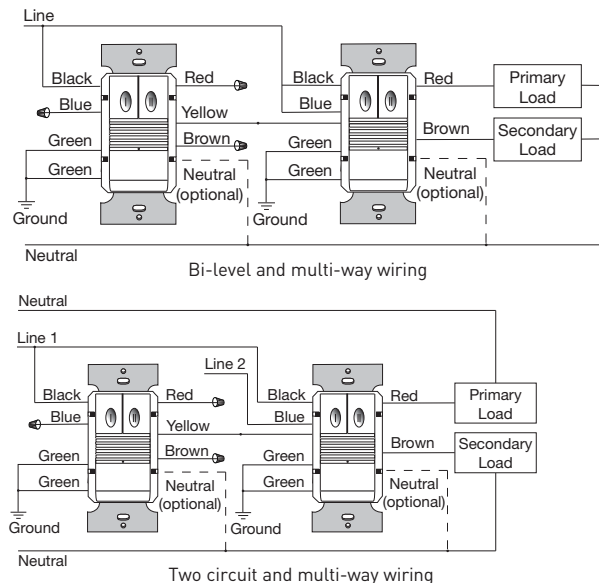
Coverage & Wiring

Coverage Pattern



For best performance, WattStopper recommends using this sensor in spaces no larger than 15' x 12'.

Wiring Diagrams



Ordering Information

Catalog No.	Color	Voltage	Load Rating
<input type="checkbox"/> PW-302-W	White	120VAC; 50/60Hz or 277VAC; 50/60Hz	@ 120VAC, 0-800W ballast, LED, tungsten, 1/6 hp or @ 277VAC 0-1000W ballast, LED, 1/6 hp
<input type="checkbox"/> PW-302-LA	Lt. Almond		
<input type="checkbox"/> PW-302-I	Ivory		
<input type="checkbox"/> PW-302-G	Grey		
<input type="checkbox"/> PW-302-B	Black		
<input type="checkbox"/> PW-302-R	Red		
<input type="checkbox"/> PW-302-347-W	White	347VAC; 50/60Hz	0-1200W ballast & LED, 1/6 hp
<input type="checkbox"/> PW-302-347-LA	Lt. Almond		
<input type="checkbox"/> PW-302-347-I	Ivory		
<input type="checkbox"/> PW-302-347-G	Grey		
<input type="checkbox"/> PW-302-347-B	Black		
<input type="checkbox"/> PW-302-347-R	Red		

Order wall plate separately.