

Straight Blade Plugs & Connectors Flanged Inlets & Outlets

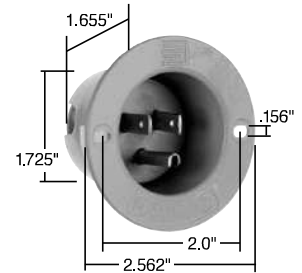
2 Pole, 3 Wire Grounding 15 & 20A, 125 & 250V



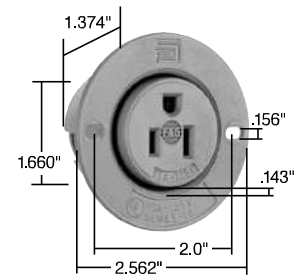
IP20
Suitability

Features	
<ul style="list-style-type: none"> All thermoplastic construction, provides excellent impact and chemical resistance. Available in Gray or Black. 	<ul style="list-style-type: none"> NEMA configuration molded on flange, easy field identification.

Catalog Number	Rating A. V.	Description	NEMA Config. No.	3rd Party Compliance	
				UL498	FSUL WC596
Flanged Inlets & Outlets – Gray					
5278SS	15 125	Inlet, Gray	5-15P	•	•
5279SS	15 125	Outlet, Gray	5-15R	•	•
5378SS	20 125	Inlet, Gray	5-20P	•	•
5379SS	20 125	Outlet, Gray	5-20R	•	•
5678SS	15 250	Inlet, Gray	6-15P	•	•
5679SS	15 250	Outlet, Gray	6-15R	•	•
5478SS	20 250	Inlet, Gray	6-20P	•	•
5479SS	20 250	Outlet, Gray	6-20R	•	•

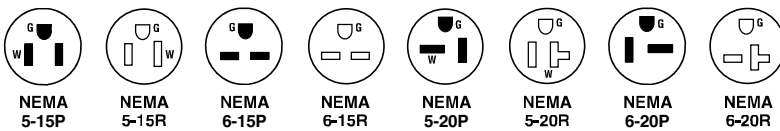


5278SS

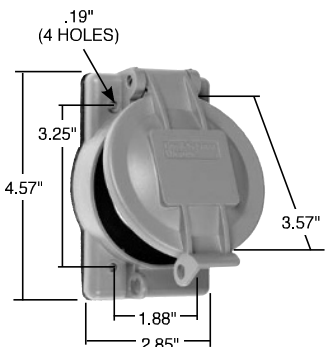


5279SS

Catalog Number	Rating A. V.	Description	NEMA Config. No.	3rd Party Compliance	
				UL498	FSUL WC596
Flanged Inlets & Outlets – Black					
5278SSBK	15 125	Inlet, Black	5-15P	•	•
5279SSBK	15 125	Outlet, Black	5-15R	•	•



Features	
<ul style="list-style-type: none"> Glass-filled polycarbonate, impact- and corrosion-resistant. Stainless steel hardware. 	<ul style="list-style-type: none"> Molded-in flat surface label area. OSHA lock-out/tag-out provision molded-in. Accepts competitor inlets and outlets.



WPG1

Catalog Number	Description
Weatherproof Cover for Flanged Devices	
WPG1	Weatherproof Cover for Flanged Inlets and Outlets

For further information consult the Weatherproof Section P.

All devices listed on this page conform to NEMA WD-1 and WD-6.