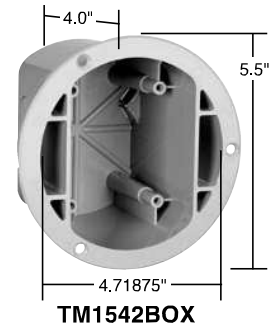


Plastic Boxes Tamper-Resistant Floor Box Assemblies

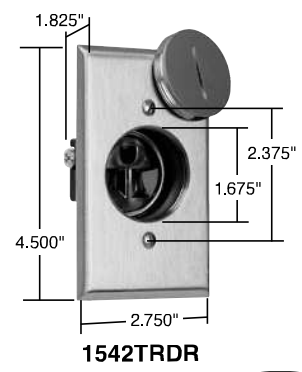
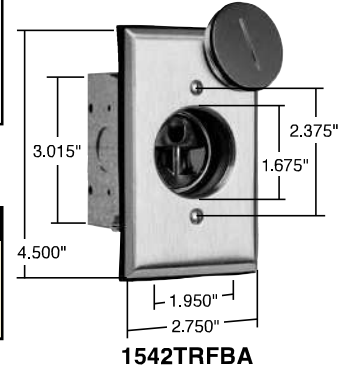
2 Pole, 3 Wire Grounding 15A, 125V



Features	
<ul style="list-style-type: none"> ■ Tamper-resistant receptacles feature dual mechanical shutter system to help prevent insertion of foreign objects. ■ Meets NEC 406.11 requirements. ■ Hinged door is removable and easily replaceable. ■ Durable construction, impact and scratch resistant PVC construction. ■ Standard Decorator opening that accepts GFCI, TVSS, DataCom or other Decorator devices. ■ Auto/Clamps® and knockouts on both sides of box. 	<ul style="list-style-type: none"> ■ Meets UL514(c) scrub water exclusion test. ■ Threaded device mounting holes. ■ Simple mounting box, fits into a 4-3/4" hole and mounts with 3 screws included. ■ Ready for low-voltage wiring, drill guides on underside of cover. ■ UL and cUL Listed. ■ Captive screws on TM1542 series – screws will not be lost – new. ■ Made in USA.



*See available colors at right.



Catalog Number	Description	Color	NEMA Config. No.
Floor Box			
TM1542BOX	38 cu. in., with knockouts and Auto/Clamps®, 3 screws for mounting to floor.	Gray	5-15R
Thermoplastic Covers			
TM1542TRW TM1542TRBR TM1542TRGRY TM1542TRLA	Includes 15A, 125V tamper-resistant Decorator receptacle, matching detachable and replaceable hinged door; threaded device-mounting holes; drill guides for low-voltage poke-through holes; accepts any Decorator device; mounts on carpeting, hardwood, linoleum, tile floors; 4 mounting/leveling screws.	White Brown Paintable Gray Light Almond	5-15R 5-15R 5-15R 5-15R
Brass Covers			
TM1542TRFM TM1542TRCF	Low-profile cover requires minimum 3/8" hardwood floor thickness. High-profile cover fits any floor finish – including carpeting, linoleum, tile, etc. Both covers include an 885 tamper-resistant 15A, 125V Decorator duplex receptacle and will accept any Decorator device. Covers include captive screws to prevent loss.	Brass Brass	5-15R 5-15R

UL listed in accordance with 314.27(e).

Features	
<ul style="list-style-type: none"> ■ Solid brass covered plate with matching flush fitting brass cap. ■ 15A, 125V single receptacle made of durable thermoplastic. 	<ul style="list-style-type: none"> ■ UL and FSUL listed.

Catalog Number	Rating A. V.	Description	Color	NEMA Config. No.
Floor Box Assembly**				
1542TRFBA	15 125	Tamper-resistant receptacle, brass plate, 1.01" recessed plug, gasket, O-ring, and metal 18 cu. in. box	Brown	5-15R
Display Receptacle*				
1542TRDR	15 125	Tamper-resistant receptacle, brass plate and 1.01" recessed plug	Brown	5-15R

*UL listed in accordance with 314.27(e).
**Conforms to NEMA OS2.

All devices listed on this page conform to NEMA OS2.