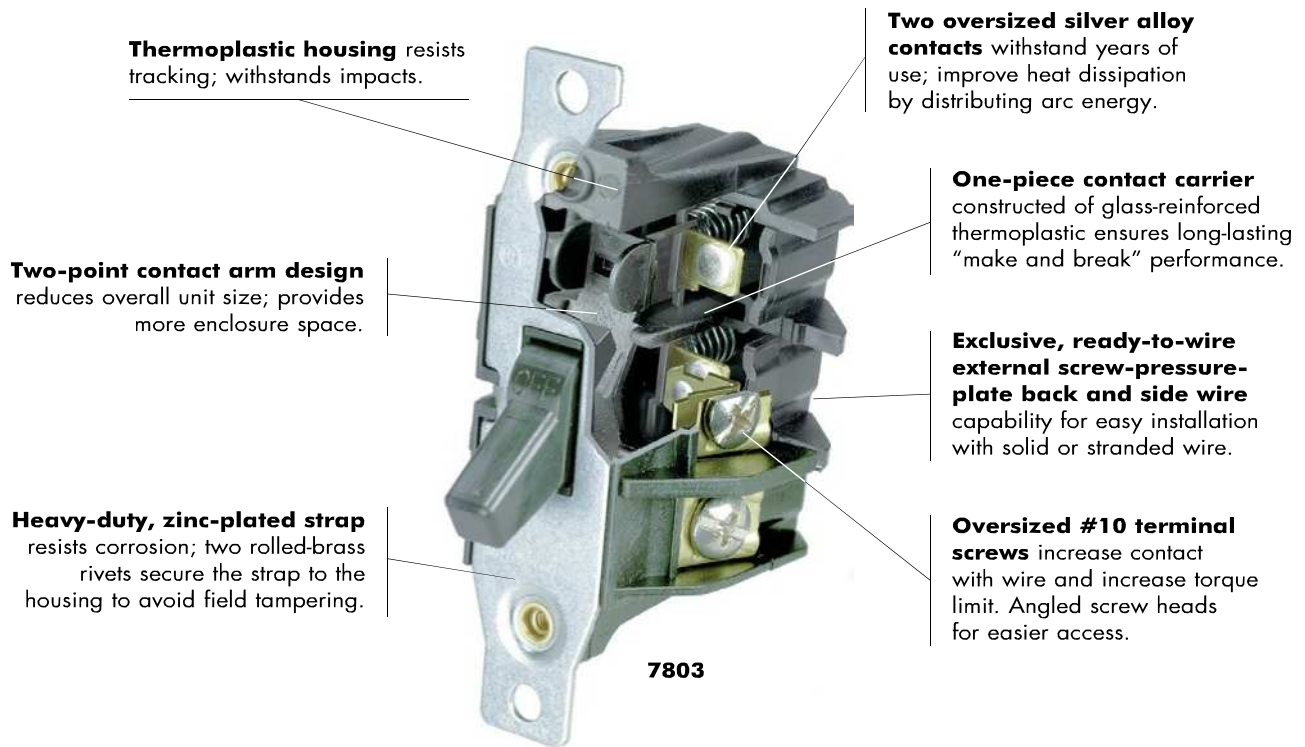


Switches Manual Controllers



NEMA Type Enclosures

NEMA Type 1 Enclosures – Intended for indoor use primarily to provide a degree of protection against limited amounts of falling dirt in locations where unusual service conditions do not exist.

NEMA Type 7 Enclosures – Intended for indoor use in locations classified as Class 1, Group A, B, C, or D, as defined in the National Electrical Code. They shall be capable of withstanding the pressures resulting from an internal explosion of specified gases, and contain such an explosion sufficient that an explosive gas-air mixture existing in the atmosphere surrounding the enclosure will not be ignited. Enclosed heat generating devices shall not cause external surfaces to reach temperatures capable of igniting explosive gas-air mixtures in the surrounding atmosphere. Enclosures shall meet explosion, hydrostatic, and temperature design tests.

NEMA Type 3R Enclosures – Intended for outdoor use primarily to provide a degree of protection against rain and sleet; and to be undamaged by the formation of ice on the enclosure. They are not intended to provide protection against conditions such as internal condensation, or internal icing.

NEMA Type 9 Enclosures – Intended for indoor use in locations classified as Class II, Groups E, F, or G, as defined in the National Electrical Code. They shall be capable of preventing the entrance of dust. Enclosed heat generating devices shall not cause external surfaces to reach temperatures capable of igniting or discoloring dust on the enclosure or igniting dust-air mixtures in the surrounding atmosphere. Enclosures shall meet dust penetration and temperature design tests, and aging of gaskets (if used).

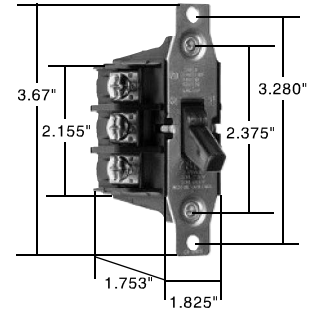
Switches Manual Controllers

30A, 1 ϕ & 3 ϕ

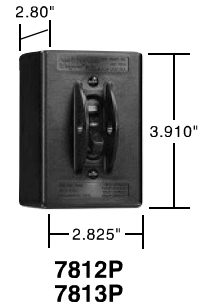


Features — 7802 & 7803

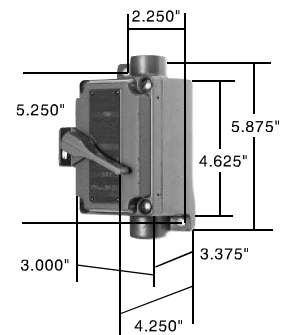
- High horsepower rating of 20HP.
- Compact design.
- Gull-wing shaped brass terminal pressure clamps.
- Constructed of glass-reinforced thermoplastic.
- Two-point contact arms.
- One-piece contact carrier.
- UL508 and cULus Listing of individual device and assembled device within enclosure.
- Heavy-duty zinc-plated steel strap.
- Two brass rivets secure strap to housing.
- External screw-pressure-plate back and side wire terminal screws unstaked for use with ring terminals.
- Oversized silver alloy contacts.
- 2-3/4" hubs (7812EX and 7813EX).
- 2-1/2" knockouts on back and 2-1/2"-3/4" knockouts on top and bottom (7812P, 7813P, 7806P).
- 2-1/2" knockouts on bottom and back (7832 and 7833).



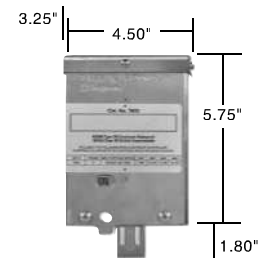
**7802
7803**



**7812P
7813P**



**7812EX
7813EX**



**7832
7833**

Catalog Number	Description	Rating			
		A.	VAC	HP	VAC
Double Pole, Single Phase					
7802	Double Pole, Single Phase AC Manual Motor Controller (No overload protection)	General Use 30	600 max.	2 3 7.5 10	120 240 480 600
7802MD	7802, See Footnote 1	Same as 7802			
7812P	7802 in a NEMA 1 Enclosure	Same as 7802			
7812PMD	7812P, See Footnote 1	Same as 7802			
7812EX	7802 in a NEMA 7 and 9 Enclosure for Hazardous Locations Class I – Groups C, D; Class II – Groups E, F, G	Same as 7802			
7832	7802 in a NEMA 3R Enclosure	Same as 7802			
7832MD	7832, See Footnote 1	Same as 7802			
Three Pole, Three Phase					
7803	Three Pole, Three Phase AC Manual Motor Controller (No overload protection)	General Use 30	600 max.	3 7.5 10 20	120 240 480 600
7803MD	7803, See Footnote 1	Same as 7803			
7813P	7803 in a NEMA 1 Enclosure	Same as 7803			
7813PMD	7813-P, See Footnote 1	Same as 7803			
7813EX	7803 in a NEMA 7 & 9 Enclosure for Hazardous Locations Class I – Groups C, D; Class II – Groups E, F, G	Same as 7803			
7833	7803 in a NEMA 3R Enclosure	Same as 7803			
7833MD	7833, See Footnote 1	Same as 7803			

7806P NEMA 1 Black Nylon Enclosure with 1/2" and 3/4" knockouts at each end.

7801P Handle Locking Guard has opening for padlock to secure control in either ON or OFF position.

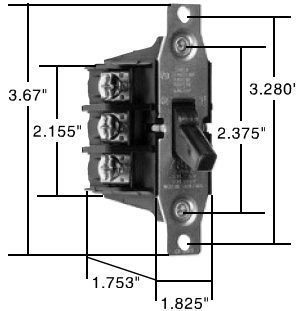
7830 NEMA 3R Aluminum Enclosure.

All Industrial Control Equipment is suitable for use in a circuit capable of deliverable not more than 5,000 rms amperes at 600VAC maximum or equivalent.

Footnote:

1. Suitable as Motor Disconnect – 10KA @ 600VAC, 30A max. Class J Fuse.

Switches Manual Controllers

40A, 1 ϕ & 3 ϕ 7842
7843**Features — 7842 & 7843**

- High horsepower rating of 20HP.
- Compact design.
- Gull-wing shaped brass terminal pressure clamps.
- Constructed of glass-reinforced thermoplastic.
- Two-point contact arms.
- One-piece contact carrier.
- Heavy-duty yellow chromate plated steel strap.
- Two brass rivets secure strap to housing.
- External screw-pressure-plate back and side wire terminal screws unstaked for use with ring terminals.
- Oversized silver alloy contacts.
- UL508 and cULus Listing of individual device and assembled device within enclosure.

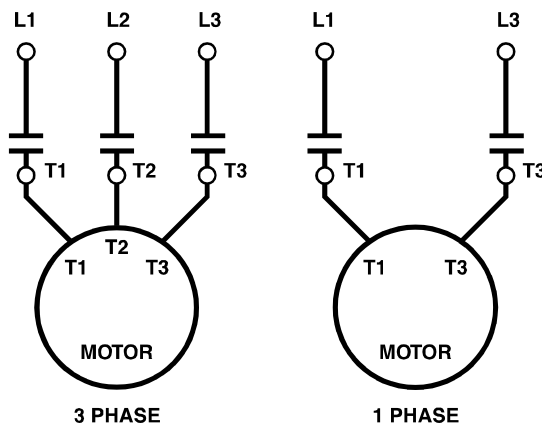
Catalog Number	Description	Rating			
		A.	VAC	HP	VAC
Double Pole, Single Phase					
7842 Manual Motor Controller (No overload protection)		40	600 max.	2	120
				5	240
			15	10	480
7842MD	7842, See Footnote 2	same as 7842			
Three Pole, Three Phase					
7843 Manual Motor Controller (No overload protection)		40	600 max.	3	120
				7.5	240
			20	15	480
7843MD	7843, See Footnote 2	same as 7843			

All Industrial Control Equipment is suitable for use in a circuit capable of deliverable not more than 5,000 rms amperes at 600VAC maximum or equivalent.

Footnote:

2. Suitable as Motor Disconnect – 10KA @ 600VAC, 60A max. Class J Fuse or 100A max. Ferraz Shawmut HSJ Fuse.

CATALOG NO.	PHASE	POLE
7802 or 7842	1	2
7803 or 7843	3	3

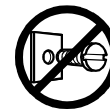
**RATINGS**

RESISTANCE				
7802 / 7803		30 AMP	600 VAC MAX.	
7842 / 7843		40 AMP	600 VAC MAX.	
MANUAL MOTOR CONTROLLER				
VAC	30A		40A	
	1 PHASE HP	3 PHASE HP	1 PHASE HP	3 PHASE HP
120	2	3	2	3
240	3	7.5	5	7.5
480	7.5	10	10	15
600	10	20	15	20

USE 60 / 75°C WIRING
TORQUE TERMINAL SCREWS
TO 16 IN. LBS.



NO ALUMINUM

DO NOT
REMOVE SCREWS
FROM 30A DEVICES