

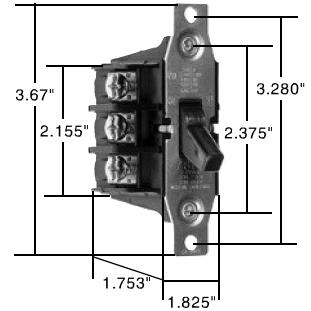
# Switches Manual Controllers

30A, 1 $\phi$  & 3 $\phi$

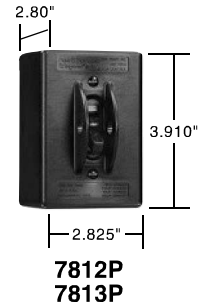


### Features — 7802 & 7803

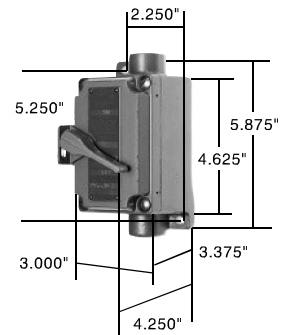
- High horsepower rating of 20HP.
- Compact design.
- Gull-wing shaped brass terminal pressure clamps.
- Constructed of glass-reinforced thermoplastic.
- Two-point contact arms.
- One-piece contact carrier.
- UL508 and cULus Listing of individual device and assembled device within enclosure.
- Heavy-duty zinc-plated steel strap.
- Two brass rivets secure strap to housing.
- External screw-pressure-plate back and side wire terminal screws unstaked for use with ring terminals.
- Oversized silver alloy contacts.
- 2-3/4" hubs (7812EX and 7813EX).
- 2-1/2" knockouts on back and 2-1/2"-3/4" knockouts on top and bottom (7812P, 7813P, 7806P).
- 2-1/2" knockouts on bottom and back (7832 and 7833).



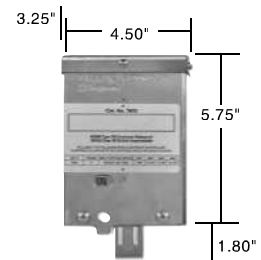
**7802  
7803**



**7812P  
7813P**



**7812EX  
7813EX**



**7832  
7833**

Catalog Number	Description	Rating			
		A.	VAC	HP	VAC
<b>Double Pole, Single Phase</b>					
<b>7802</b>	Double Pole, Single Phase AC Manual Motor Controller (No overload protection)	General Use 30	600 max.	2 3 7.5 10	120 240 480 600
<b>7802MD</b>	7802, See Footnote 1	Same as 7802			
<b>7812P</b>	7802 in a NEMA 1 Enclosure	Same as 7802			
<b>7812PMD</b>	7812P, See Footnote 1	Same as 7802			
<b>7812EX</b>	7802 in a NEMA 7 and 9 Enclosure for Hazardous Locations Class I – Groups C, D; Class II – Groups E, F, G	Same as 7802			
<b>7832</b>	7802 in a NEMA 3R Enclosure	Same as 7802			
<b>7832MD</b>	7832, See Footnote 1	Same as 7802			
<b>Three Pole, Three Phase</b>					
<b>7803</b>	Three Pole, Three Phase AC Manual Motor Controller (No overload protection)	General Use 30	600 max.	3 7.5 10 20	120 240 480 600
<b>7803MD</b>	7803, See Footnote 1	Same as 7803			
<b>7813P</b>	7803 in a NEMA 1 Enclosure	Same as 7803			
<b>7813PMD</b>	7813-P, See Footnote 1	Same as 7803			
<b>7813EX</b>	7803 in a NEMA 7 & 9 Enclosure for Hazardous Locations Class I – Groups C, D; Class II – Groups E, F, G	Same as 7803			
<b>7833</b>	7803 in a NEMA 3R Enclosure	Same as 7803			
<b>7833MD</b>	7833, See Footnote 1	Same as 7803			

**7806P** NEMA 1 Black Nylon Enclosure with 1/2" and 3/4" knockouts at each end.

**7801P** Handle Locking Guard has opening for padlock to secure control in either ON or OFF position.

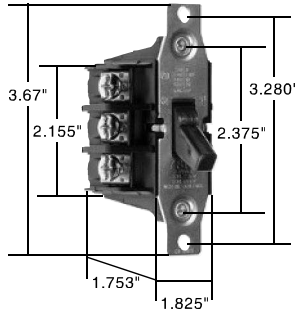
**7830** NEMA 3R Aluminum Enclosure.

All Industrial Control Equipment is suitable for use in a circuit capable of deliverable not more than 5,000 rms amperes at 600VAC maximum or equivalent.

Footnote:

1. Suitable as Motor Disconnect – 10KA @ 600VAC, 30A max. Class J Fuse.

## Switches Manual Controllers

40A, 1 $\phi$  & 3 $\phi$ 7842  
7843**Features — 7842 & 7843**

- High horsepower rating of 20HP.
- Compact design.
- Gull-wing shaped brass terminal pressure clamps.
- Constructed of glass-reinforced thermoplastic.
- Two-point contact arms.
- One-piece contact carrier.
- Heavy-duty yellow chromate plated steel strap.
- Two brass rivets secure strap to housing.
- External screw-pressure-plate back and side wire terminal screws unstaked for use with ring terminals.
- Oversized silver alloy contacts.
- UL508 and cULus Listing of individual device and assembled device within enclosure.

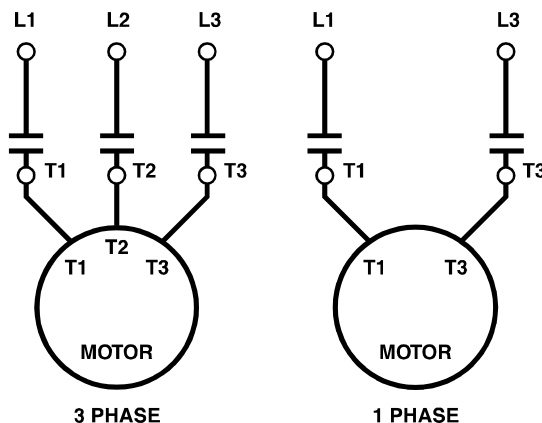
Catalog Number	Description	Rating			
		A.	VAC	HP	VAC
<b>Double Pole, Single Phase</b>					
<b>7842</b>	Double Pole, Single Phase AC Manual Motor Controller (No overload protection)	40	600 max.	2 5 10 600	120 240 480
<b>7842MD</b>	7842, See Footnote 2	same as 7842			
<b>Three Pole, Three Phase</b>					
<b>7843</b>	Three Pole, Three Phase AC Manual Motor Controller (No overload protection)	40	600 max.	3 7.5 15 600	120 240 480
<b>7843MD</b>	7843, See Footnote 2	same as 7843			

All Industrial Control Equipment is suitable for use in a circuit capable of deliverable not more than 5,000 rms amperes at 600VAC maximum or equivalent.

Footnote:

2. Suitable as Motor Disconnect – 10KA @ 600VAC, 60A max. Class J Fuse or 100A max. Ferraz Shawmut HSJ Fuse.

CATALOG NO.	PHASE	POLE
7802 or 7842	1	2
7803 or 7843	3	3

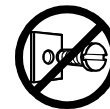
**RATINGS**

RESISTANCE				
7802 / 7803		30 AMP	600 VAC MAX.	
7842 / 7843		40 AMP	600 VAC MAX.	
MANUAL MOTOR CONTROLLER				
VAC	30A		40A	
	1 PHASE HP	3 PHASE HP	1 PHASE HP	3 PHASE HP
120	2	3	2	3
240	3	7.5	5	7.5
480	7.5	10	10	15
600	10	20	15	20

USE 60 / 75°C WIRING  
TORQUE TERMINAL SCREWS  
TO 16 IN. LBS.



NO ALUMINUM

DO NOT  
REMOVE SCREWS  
FROM 30A DEVICES