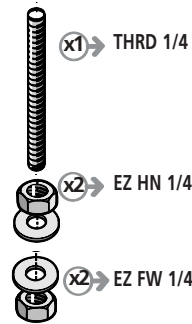
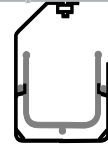
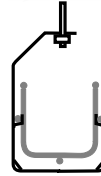
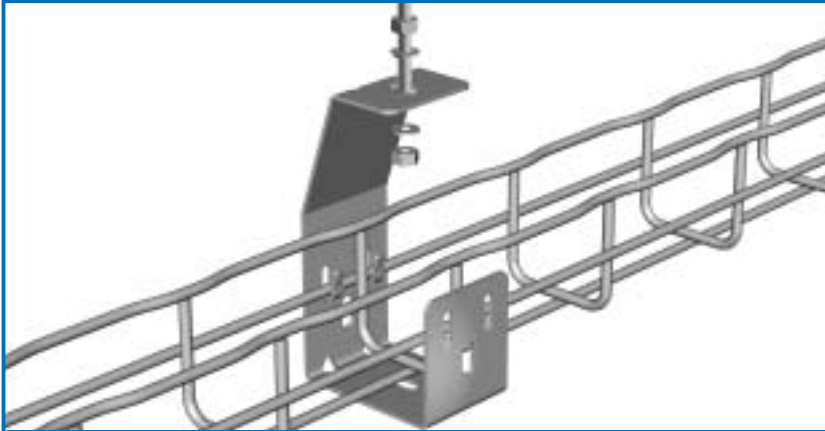


SF 50 CENTER HANGER

CF30 - CF54

2"
50 MM



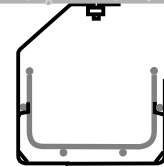
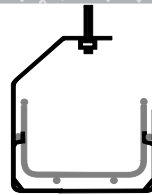
- For center hanging 2" wide tray.
- Fold-over tabs secure tray without additional hardware.
- Threaded rod, nuts and washers sold separately.

	INCHES		MM		LBS	KG
SF 50	2"	50	0.4	0.2		
PG	GC	316L	BL	PE		

SF 100 CENTER HANGER

CF30 - CF54

4"
100 MM



- For center hanging 4" wide tray.
- Fold-over tabs secure tray without additional hardware.
- Threaded rod, nuts and washers sold separately. See above.

	INCHES		MM		LBS	KG
SF 100	4"	100	0.9	0.4		
PG	GC	316L	BL	PE		



CABLOFIL®

INNOVATORS IN CABLE MANAGEMENT

CORPORATE OFFICES

8319 State Route 4
Mascoutah, IL 62258 USA
Phone: 618-566-3230
800-658-4641
Fax: 618-566-3250
www.cablofil.com

Ceiling-hanging small cable trays, in a continuous cable support system, just got easier – Cablofil brings you the SF 50 and SF 100. Attach bracket directly to deck or suspend from 1/4" threaded rod. Bracket secures tray with unique fold-over tabs. SF Brackets are available in a variety of finishes for extreme or exposed applications.

Finishes: PG=Pre-Galvanized GC=Hot Dipped Galvanized 316L=Stainless Steel 316L BL=Black Painted PE=Custom Painted

All dimensions are nominal. See product cut sheets at www.cablofil.com

EZ-42-03-04