

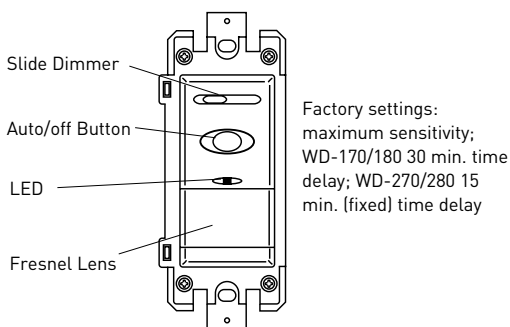


Specifications

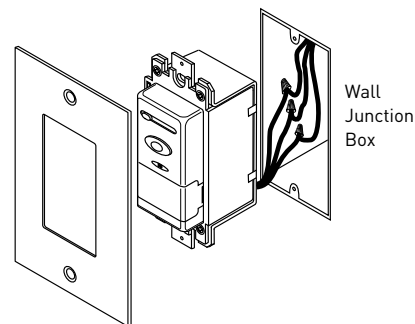
- WD-170, WD-270 operate at 120 VAC; WD-180, WD-280 operate at 277 VAC
- Maximum 300 ft² (27.8 m²); 150 ft² (13.9 m²) for desktop activity
- 1.0 mm hard poly IR 2 lens
- WD-170, WD-180: time delay adjustable during installation from 30 seconds up to 30 minutes
- WD-270, WD-280: fixed initial 15 min time delay after which lights will dim to minimum level; secondary adjustable time delay from 5 min to 30 min after which lights turn off
- Dimensions: 2.7" x 1.8" x 2.2" (68.6mm x 45.7mm x 55.9mm) L x W x D
- UL and cUL listed
- Five year warranty

Controls & Installation

Product Controls

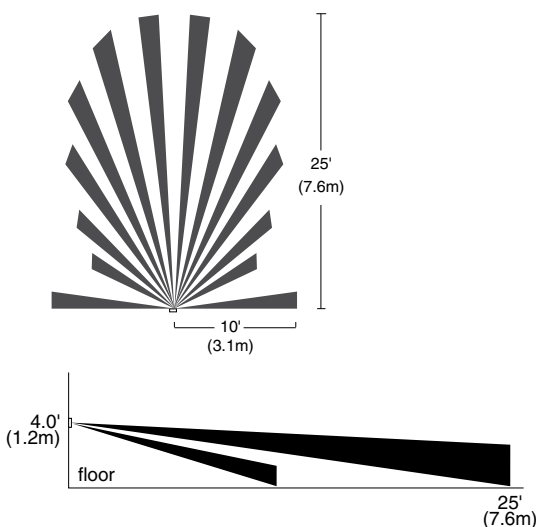


Installation



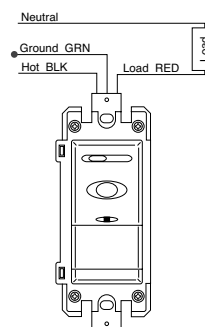
Coverage & Wiring

Coverage Pattern

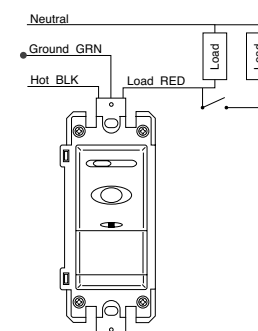


The 2-level lens provides superior coverage at a desk-top level by allowing the sensor to detect vertical as well as horizontal motion.

Single Level Lighting



Manual Bi-level Lighting



Ordering Information

Catalog No.	Color	Voltage	Load Rating	Coverage	OFF Mode
<input type="checkbox"/> WD-170-W	White	120 VAC; 60 Hz	10-500 W Ballast 0-500W Tungsten	180°, 300 ft ² [27.9 m ²]	Automatic-OFF
<input type="checkbox"/> WD-170-A	Almond				
<input type="checkbox"/> WD-170-I	Ivory				
<input type="checkbox"/> WD-180-W	White	277 VAC; 60 HZ	10-500 Watt Ballast	180°, 300 ft ² [27.9 m ²]	Automatic-OFF
<input type="checkbox"/> WD-180-A	Almond				
<input type="checkbox"/> WD-180-I	Ivory				
<input type="checkbox"/> WD-270-W	White	120 VAC; 60 Hz	10-500 W Ballast, 0-500W Tungsten	180°, 300 ft ² [27.9 m ²]	Dim-bef-disconnect
<input type="checkbox"/> WD-270-A	Almond				
<input type="checkbox"/> WD-270-I	Ivory				
<input type="checkbox"/> WD-280-W	White	277 VAC; 60 HZ	10-500 Watt Ballast	180°, 300 ft ² [27.9 m ²]	Dim-bef-disconnect
<input type="checkbox"/> WD-280-A	Almond				
<input type="checkbox"/> WD-280-I	Ivory				

Order wall plate separately.