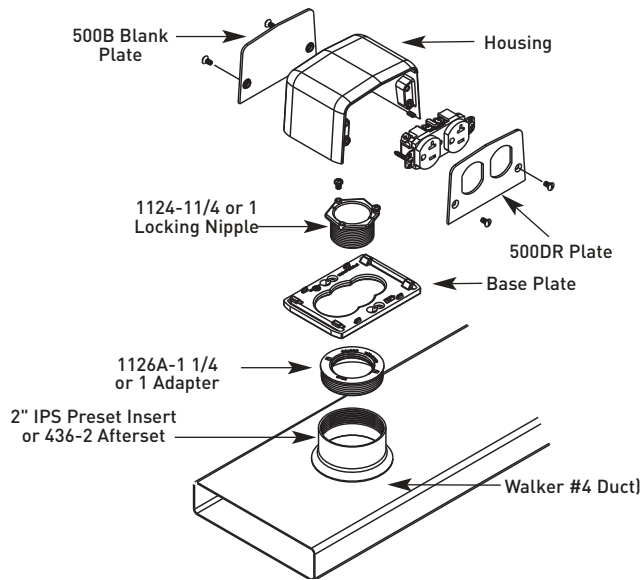


# Wiremold® Infloor Service Fittings –

## Installation Components & Details

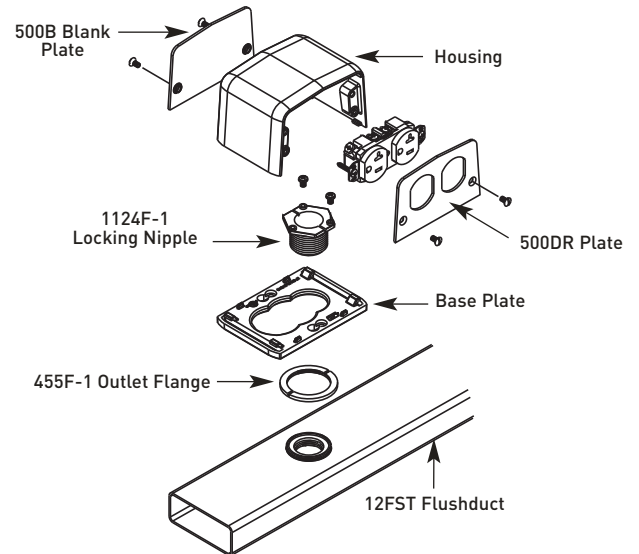
### 525 Series Service Fittings Installation Details

1. Typical installation diagram to adapt 525 Series Service Fittings to underfloor duct or cellular raceway: 2" [51mm] IPS Preset or afterset inserts.



**NOTE:** The same process and components are also used for Multiplex Service Fittings.

2. Typical installation diagram to adapt 525 Series Service Fittings to Flushduct (1 5/8" [41mm] opening).



### PSRC9 Series Service Fittings Installation Details

