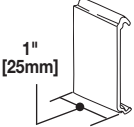
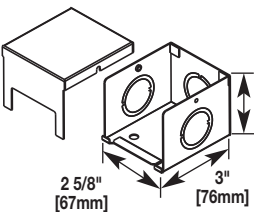
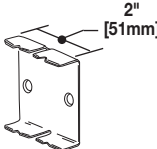
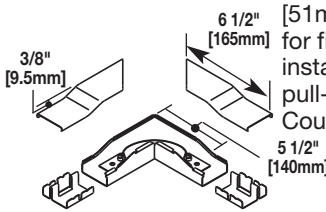
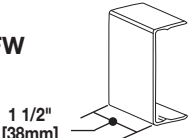
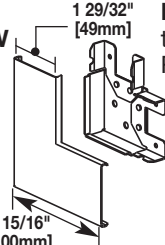
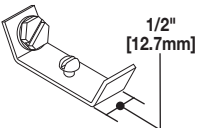
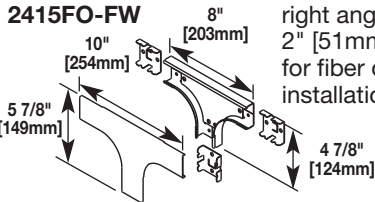
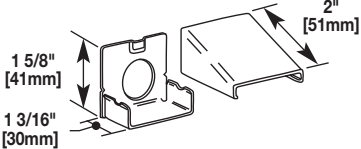
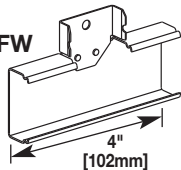
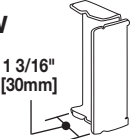
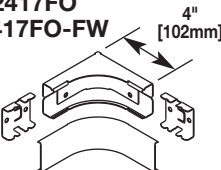
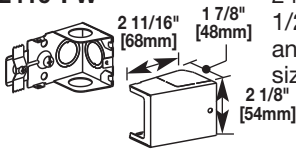
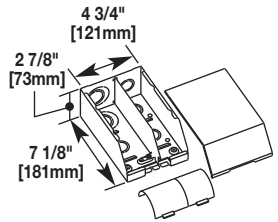


## 2400 Series Raceway Fittings Ordering Information

Catalog No./Item	Description/Specifications	Catalog No./Item	Description/Specifications
<b>2400WC</b> 	<b>Wire Clip</b> – Additional support for conductors in 2400 Series Raceway. (Nonmetallic)	<b>V2410FC</b> <b>2410FC-FW</b> 	<b>Full Capacity Entrance End Fitting</b> – Feeds 2400 Series Raceway. Includes three 3/4" and 1" concentric trade size KOs.
<b>2401</b> 	<b>Coupling</b> – Joins sections of 2400B Base.	<b>V2411FO</b> <b>2411FO-FW</b> 	<b>Radiused Flat Elbow</b> – 90° flat corner that provides 2" [51mm] cable bend radius control for fiber optic and UTP/STP cable installations. Ideal for lay-in or pull-through installations. Couplings included.
<b>V2406</b> <b>2406-FW</b> 	<b>Cover Clip</b> – Covers joints where sections of 2400 Series Raceway cover or base come together. Nonmetallic construction.	<b>V2411M</b> <b>2411M-FW</b> 	<b>Flat Elbow</b> – Makes right angle turns in runs of 2400 Series Raceway on same surface.
<b>2409</b> 	<b>Ground Clamp</b> – Connects equipment grounding conductor to 2400 Series Raceway. No. 10 ground screw provided.	<b>V2415FO</b> <b>2415FO-FW</b> 	<b>Radiused Tee</b> – Branches at right angles. Provides a controlled 2" [51mm] cable bend radius control for fiber optic and UTP/STP cable installations. Couplings included.
<b>V2410A</b> <b>2410A-FW</b> 	<b>Entrance End Fitting</b> – Connects 2400 Series Raceway with 1/2" trade size conduit or armored cable.	<b>V2415M</b> <b>2415M-FW</b> 	<b>Tee</b> – Branches at right angles. Couplings included.
<b>V2410B</b> <b>2410B-FW</b> 	<b>Blank End Fitting</b> – Closes off open end of 2400 Series Raceway.	<b>V2417FO</b> <b>2417FO-FW</b> 	<b>Radiused Internal Elbow</b> – 90° internal corner. Provides a controlled 2" [51mm] cable bend radius control for fiber optic and UTP/STP cable installations. Couplings included.
<b>V2410C</b> <b>2410-FW</b> 	<b>Entrance End Fitting</b> – Feeds 2400 Series Raceway. Includes 1/2" and 3/4" trade size KOs on end and bottom. Additional 1/2" trade size KO on both sides.		
<b>V2410DFO</b> <b>2410DFO-FW</b> 	<b>Divided Entrance End Fitting</b> – Feeds 2400 & 2400D Series Raceway. Includes 1/2", 3/4", and 1" trade size KOs on back and end. Removable divider and bend radius control insert included.		

NOTE: "V" prefix indicates Ivory color, "-FW" suffix indicates Fog White color.