

Strain Relief Cord Connectors

SKINTOP® SLN/SLRN

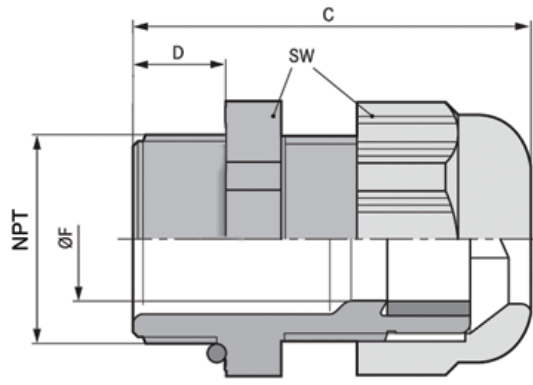
Liquid Tight, Non-Metallic Strain Relief Cable Gland with NPT Threads







SKINTOP® SLN/SLRN is a durable, liquid tight, easy to assemble strain relief cable gland with NPT threads that is universally suited for all types of machinery & equipment, including automation, motion control, process control and robotics.

Application Advantage:

- The heavy duty SKINTOP™ design provides great pullout strength and very reliable strain relief
- Superior integrated locking mechanism includes an internal ratchet for vibration proof protection
- Multi-trapezoidal thread requires just one twist to tighten
- Generous high quality neoprene bushing provides a liquid tight and dust proof, hermetic seal



Technical Data:

	Materials:	
	Body:	Polyamide
	Bushing:	CR
	Color:	Black (RAL 9005) UV Resistant Gray (RAL 7001)
	Protection Seal:	70 PSI IP 68, 5 Bar Exceeds NEMA 6/6P Pressure rating
	Temperature Range:	
	Static:	-40°C to +80°C
	Dynamic:	-20°C to +80°C

Please note that locknuts are not included. They may be ordered separately, see **SKINTOP® GMP-GL**

Part Number	Thread Type	UL Status	Clamping Range ØF inches	SW Wrenching Flats inches	C Overall Length inches	D Thread Length inches	Standard Pack Size	Weight 100 pcs. lbs.
NPT Thread - Standard Type - Black								
S2138	NPT-3/8"	R	.138 - .315	0.748	1.693	0.591	100	2.00
S2112	NPT-1/2"	L	.197 - .472	0.945	1.772	0.591	100	2.50
S2134	NPT-3/4"	L	.512 - .709	1.299	2.087	0.591	50	5.50
S2101	NPT-1"	L	.748 - 1.000	1.654	2.362	0.591	25	9.00
NPT Thread - Standard Type - Gray								
S1138	NPT-3/8"	R	.138 - .315	0.748	1.693	0.591	100	2.00
S1112	NPT-1/2"	L	.197 - .472	0.945	1.772	0.591	100	2.50
S1134	NPT-3/4"	L	.512 - .709	1.299	2.087	0.591	50	5.50
S1101	NPT-1"	L	.748 - 1.000	1.654	2.362	0.591	25	9.00
NPT Thread with Reducer Bushing- Black								
S2238	NPT-3/8"	R	.079 - .236	0.748	1.693	0.591	100	2.00
S2212	NPT-1/2"	L	.157 - .354	0.945	1.772	0.591	100	2.50
S2234	NPT-3/4"	L	.354 - .630	1.299	2.087	0.591	50	5.50
S2201	NPT-1"	L	.551 - .827	1.654	2.362	0.591	25	9.00
NPT Thread with Reducer Bushing- Gray								
S1238	NPT-3/8"	R	.079 - .236	0.748	1.693	0.591	100	2.00
S1212	NPT-1/2"	L	.157 - .354	.945	1.772	0.591	100	2.50
S1234	NPT-3/4"	L	.354 - .630	1.299	2.087	0.591	50	5.50
S1201	NPT-1"	L	.551 - .827	1.654	2.362	0.591	25	9.00
