

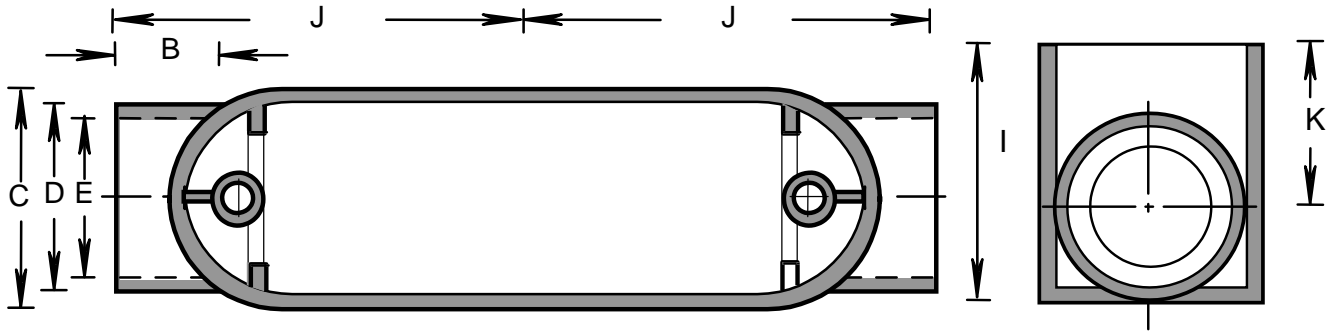
**RIGID PVC CONDUIT FITTINGS**

**ISSUE DATE:**  
**DATE D'EMISSION:** 2014 07 23

**TYPE "C" ACCESS FITTINGS**

**SUPERCEDES:**  
**REPLACE:** 2002 12 05

3



PRODUCT CODE	PART NUMBER	NOMINAL SIZE		C		D		E	
		(in)	(mm)	(in)	(mm)	(in)	(mm)	(in)	(mm)
077501	SC10S	1/2	16	1.270	32.3	1.100	27.9	0.840	21.3
077502	SC20S	3/4	21	1.540	39.1	1.325	33.7	1.050	26.7
077503	SC30S	1	27	1.700	43.2	1.600	40.6	1.335	33.9
077504	SC40S	1 1/4	35	2.300	58.4	2.250	57.2	1.660	42.2
077505	SC50S	1 1/2	41	2.675	67.9	2.250	57.2	1.900	48.3
077506	SC60S	2	53	3.190	81.0	2.820	71.6	2.375	60.3
077507	SC70S	2 1/2	63	4.500	114.3	3.950	100.3	2.870	72.9
077508	SC80S	3	78	4.500	114.3	3.950	100.3	3.510	89.2
077509	SC90S	3 1/2	91	5.540	140.7	5.000	127.0	4.000	101.6
077510	SC100S	4	103	5.540	140.7	5.000	127.0	4.530	115.1

PRODUCT CODE	PART NUMBER	NOMINAL SIZE		I		J		K		WALL THICK.*	
		(in)	(mm)	(in)	(mm)	(in)	(mm)	(in)	(mm)	(in)	(mm)
077501	SC10S	1/2	16	2.490	63.2	2.280	57.9	1.005	25.5	0.125	3.2
077502	SC20S	3/4	21	2.490	63.2	2.800	71.1	1.005	25.5	0.125	3.2
077503	SC30S	1	27	2.075	52.7	3.250	82.6	1.125	28.6	0.125	3.2
077504	SC40S	1 1/4	35	3.575	90.8	3.950	100.3	1.560	39.6	0.156	4.0
077505	SC50S	1 1/2	41	3.940	100.1	4.250	108.0	1.660	42.2	0.156	4.0
077506	SC60S	2	53	4.535	115.2	5.440	138.2	1.970	50.0	0.203	5.2
077507	SC70S	2 1/2	63	6.240	158.5	7.300	185.4	2.610	66.3	0.235	6.0
077508	SC80S	3	78	6.240	158.5	7.300	185.4	2.610	66.3	0.235	6.0
077509	SC90S	3 1/2	91	7.500	190.5	8.535	216.8	2.975	75.6	0.240	6.1
077510	SC100S	4	103	7.500	190.5	8.535	216.8	2.975	75.6	0.240	6.1

\* WALL THICKNESS MEASURED AT 1/4" FROM TOP OF CONDUIT BODY

**RIGID PVC CONDUIT FITTINGS**

**ISSUE DATE:**  
**DATE D'EMISSION:** 2014 07 23

**TYPE "C" ACCESS FITTINGS**

**SUPERCEDES:**  
**REPLACE:** 2002 12 05

PRODUCT CODE	PART NUMBER	NOMINAL SIZE		FILL VOLUME		INSERT CODE	SCREW CODE	REDUCER CODE	COVER CODE	GASKET CODE
		(in)	(mm)	(cu.in)	(cu.cm)					
077501	SC10S	1/2	16	4.1	67.2	072537	072521			097950
077502	SC20S	3/4	21	7.5	123.0	072538	072522			097951
077503	SC30S	1	27	13.0	213.2	072538	072522			097952
077504	SC40S	1 1/4	35	26.5	434.6	072538	072522			097953
077505	SC50S	1 1/2	41	38.9	638.0	072538	072522		097965	097954
077506	SC60S	2	53	70.8	1161.2	072538	072522		097966	097955
077507	SC70S	2 1/2	63	178.0	2919.2	072549	072516	097558	097957	097961
077508	SC80S	3	78	178.0	2919.2	072549	072516		097957	097961
077509	SC90S	3 1/2	91	338.4	5549.8	072549	072516	097991	097959	097963
077510	SC100S	4	103	338.4	5549.8	072549	072516		097959	097963

**MAXIMUM WIRE FILL**

<b>1/2" + 3/4" + 1"</b> <b>(12 + 21 + 27)</b>		<b>1 1/4"</b> <b>(35)</b>	<b>1 1/2"</b> <b>(41)</b>	<b>2"</b> <b>(53)</b>	<b>2 1/2"</b> <b>(63)</b>	<b>3"</b> <b>(78)</b>	<b>3 1/2"</b> <b>(91)</b>	<b>4"</b> <b>(103)</b>
MAX. WIRE FILL #6 AWG CONDUCTORS OR SMALLER	<b>U</b>	4.980" (126.5)	6.060" (153.9)	7.530" (191.3)	10.200" (259.1)	10.200" (259.1)	10.200" (259.1)	10.200" (259.1)
	<b>M</b>	#3	#1 /0	#2 /0	#250	#250	#250	#250
	<b>D</b>	5.375" (136.5)	6.125" (155.6)	8.125" (206.4)	10.500" (266.7)	10.441" (265.2)	11.875" (301.6)	11.875" (301.6)

- U UL514 INVESTIGATION OF CONDUIT BODIES FOR THREE CONDUCTOR INSTALLATION WITH NO INVESTIGATION
- M MAXIMUM WIRE FILL MARKED ON CONDUIT BODY
- D DISTANCE BETWEEN HUBS ON CONDUIT BODY