



# UNDERCABINET LIGHTING

PRO-SERIES LED

3000K LEDs, DIMMABLE

**UPLED09, UPLED14,  
UPLED22 and UPLED30**

Project: \_\_\_\_\_

Fixture Type: \_\_\_\_\_

Location: \_\_\_\_\_

Contact/Phone: \_\_\_\_\_

## PRODUCT DESCRIPTION

The Pro-Series LED modular series with integral electronic driver operates 3000K LEDs for maintenance free 50,000 hour life using 1/6 the energy and virtually no heat when compared to halogen & xenon. Pro-Series LED fixtures are optimized for fast permanent installation, mounting either flush to the rear backsplash or to the front lip of cabinetry to suit project conditions and homeowner preference. Pro-Series LED fixtures are environmentally friendly and contain no harmful mercury. 5-year limited warranty.

## PRODUCT SPECIFICATIONS

**LEDs** Utilizes warm-white 3000K LEDs tightly binned to within 2-step MacAdam ellipse for superb color consistency • Light output equivalent to Pro-Series Halogen & Pro-Series Xenon fixtures • Provides 50,000 hour service life • 80 CRI minimum.

**Driver** Integral electronic 120-volt constant current driver is accessible without having to remove fixture • Dimmable with most incandescent, magnetic low voltage or electronic low voltage wall box dimmers • For a list of compatible dimmers, refer to next page.

**Housing** Slim 1" profile • Modular plug-together design • Extruded Aluminum • Designer white, black, brushed bronze, or brushed silver.

**Diffuser** Clear prismatic tempered glass lens for maximum light transmission • Reverse-angled to minimize perceived brightness.

**Switch** Convenient integral On/Off rocker switch.

**Labels** UL Listed.

## INSTALLATION

UPLED Series fixtures offer several convenient methods for installation and can be installed as direct wire or portable luminaires. Fixtures may be mounted flush to the backsplash or up against the front lip of the cabinetry using captive mounting screws.

**Direct Wire** The UPLED14, UPLED22, and UPLED30 are optimized with a center rear wiring access compartment and push-in electrical connectors for quick electrical connection using non-metallic or armored cable • The UPLED14, UPLED22, and UPLED30 also feature multiple off-center knockouts and are supplied with die cast fittings for 3/8" flexible metal conduit • An optional direct-wire module (ULH-DWM sold separately), supplied with a 36" field-shortenable jumper cord to bring power to the fixture, is also available to facilitate code compliant installation of fixture at the front end of cabinetry • Please note that if direct wiring is required for the UPLED09, the ULH-DWM must be utilized.

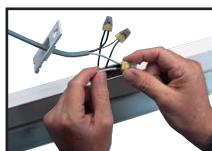
**Portable** To install the UPLED14, UPLED22, or UPLED30 as a portable fixture, use the optional 3-wire grounded cord & plug (ULH-CP sold separately). Note: UPLED09 cannot be wired with ULH-CP.

**Electrically Connecting Multiple Fixtures** Connect multiple fixtures for up to 5 amps maximum combined operating current • Fixtures may be electrically joined together using either the straight joiner connector supplied with each fixture or the optional JC3 jumper cords • See accessories table for lengths and colors. See engineering data table for input current draw of each fixture size.

## PRO-SERIES LED 5 MINUTE DIRECT-WIRE INSTALLATION FOR UPLED14, UPLED22 & UPLED30 ONLY



**Step 1** Attach supply wires to rear access cover.

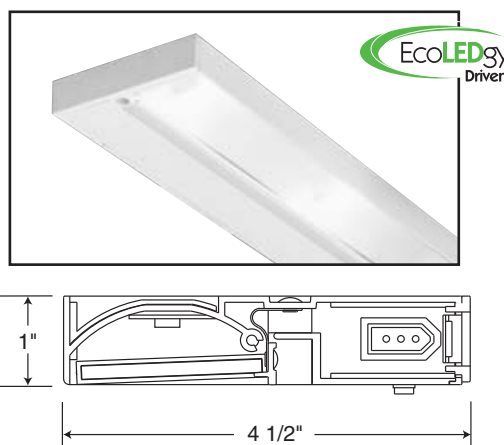


**Step 2** Connect supply wires to fixture leads using push-in connectors.



**Step 3** Mount fixture to cabinet bottom using captive mounting screws.

## DIMENSIONS



## ENGINEERING DATA

	UPLED09	UPLED14	UPLED22	UPLED30
Total input power (watts)	3.8	6.5	10.0	12.1
Total Operating AMPS	.04	.06	.09	.11

## PRODUCT CODES

Catalog Number	Finish	Overall Length	Number of LEDs
UPLED09-BL	Black	9 1/2"	2
UPLED09-BZ	Brushed Bronze	9 1/2"	2
UPLED09-SL	Brushed Silver	9 1/2"	2
UPLED09-WH	Designer White	9 1/2"	2
UPLED14-BL	Black	14"	4
UPLED14-BZ	Brushed Bronze	14"	4
UPLED14-SL	Brushed Silver	14"	4
UPLED14-WH	Designer White	14"	4
UPLED22-BL	Black	22"	6
UPLED22-BZ	Brushed Bronze	22"	6
UPLED22-SL	Brushed Silver	22"	6
UPLED22-WH	Designer White	22"	6
UPLED30-BL	Black	29 1/4"	8
UPLED30-BZ	Brushed Bronze	29 1/4"	8
UPLED30-SL	Brushed Silver	29 1/4"	8
UPLED30-WH	Designer White	29 1/4"	8

## ACCESSORIES

Catalog No.	Description
JC3-8-WH,-BL	8" Jumper Cord
JC3-17-WH,-BL	17" Jumper Cord
JC3-26-WH,-BL	26" Jumper Cord
ULH-CONN	3/8" Miniature Die-Cast Electrical Connector
ULH-CP-WH,-BL	3-Wire Grounded Cord & Plug
ULH-DWM-WH,-BL	Direct-Wire Module