

# JK LIGHTING SYSTEMS

NEW FLUORESCENT LIGHTING FIXTURES AND CONVERSIONS

2000 SERIES

2X4 FIXTURE CONVERSION

5000 SERIES

2X2 FIXTURE CONVERSION

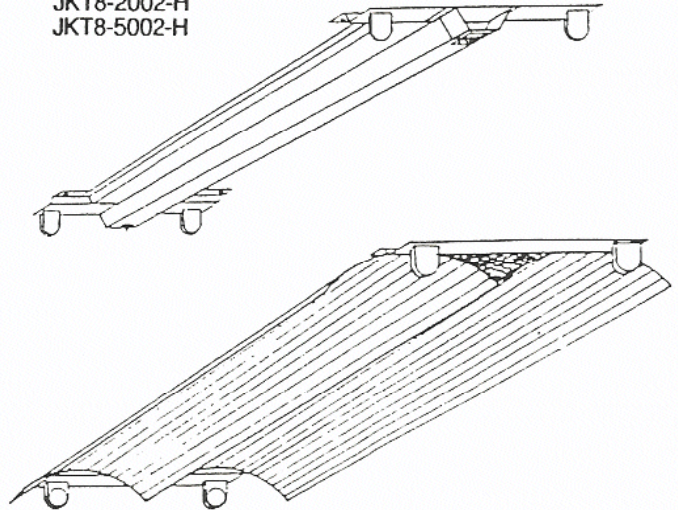


FEATURES

EXAMPLES

- \* HINGED BALLAST COVER AND SOCKET PLATE UNITS ARE DIE FORMED USING 22 GAUGE COLD ROLLED STEEL WITH HIGH GLOSS, WHITE BAKED ENAMEL FINISH, MINIMUM REFLECTANCE OF 85%.
- \* MEDIUM B-PIN TURN TYPE SOCKETS, ROTOR AVAILABLE UPON REQUEST.
- \* ALL WIRE IS 18 GAUGE SOLID CORE, RATED 600 VOLT, UTILIZING WIRE TRAP TYPE CONNECTORS INSURE PROPER CONTACT.
- \* STANDARD SOCKET PLATES ALLOW PROPER INSTALLATION INTO MOST FIXTURES. SPECIAL DESIGNS PROVIDED UPON REQUEST.
- \* HINGED UNIT IS PERFECT RETROFIT WHEN DELAMPING BY 1 LAMP, NO NEED TO MOVE THE EXISTING POWER SUPPLY. HINGED UNIT ALLOWS EASE OF ACCESS FOR ANY FUTURE SERVICE.
- \* ALL ATTACHMENT HARDWARE IS INCLUDED.

JKT8-2002-H  
JKT8-5002-H



JKT8-2002-REFLECTOR  
JKT8-5002-REFLECTOR

## REFLECTORS

- AMW      AMWHITE 90+
- AM        AMBRITE III
- OPT       OPTIBRITE

SPEC SHEETS PROVIDED UPON REQUEST

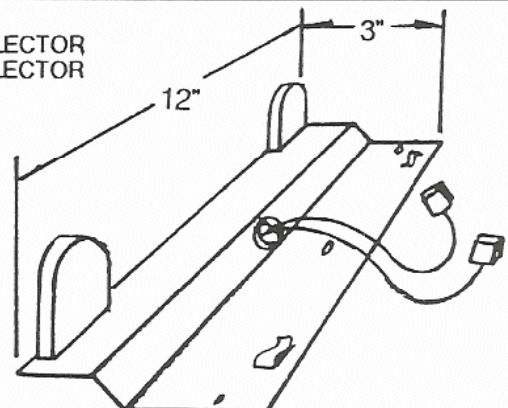
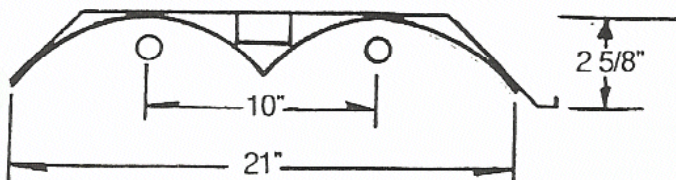
## BALLASTS OPTIONS

- (a) JK WILL PROVIDE AND INSTALL ANY BALLAST PER YOUR SPECIFICATIONS.
- (b) JK WILL INSTALL YOUR BALLAST, PER SPEC. PROVIDED A DROP SHIPMENT IS MADE AT OUR PLACE OF MANUFACTURE.
- (c) JK WILL PREWIRE RETROFIT UNIT FOR FUTURE BALLAST INSTALLATION.

## SOCKET PLATES AND REFLECTORS DIMENSIONS

JKT8-2002-REFLECTOR  
JKT8-5002-REFLECTOR

PREWIRED BRACKET WITH SOCKETS, GROMMETED RACEWAY, 6" LEADS AND WIRE TRAP CONNECTOR



MAINTAIN EXISTING LIGHT LEVELS WITH YOUR CHOICE OF WHITE OR ANODIZED FINISHES