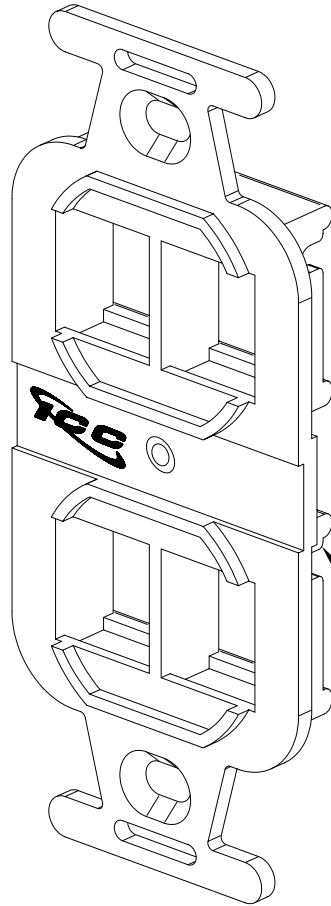


4-Port High Density Electrical Insert

PRODUCT SPECIFICATION



Package includes:

- A. 4-Port HD Electrical Insert, 1 pc
- B. #6-32 x 3/4" Oval Head, Countersink Machine Screw, 2 pcs

4-Port HD Electrical Insert

Features and Benefits:

- Designed to support the distribution of voice, data, and other communication needs to the work area for commercial or residential applications
- Ideal for use in high density applications with more connectivity in less space
- Fits standard NEMA electrical boxes
- Rugged and durable construction
- Designed for a consistent look with standard electrical faceplates
- Compatible with all IC106 electrical faceplates
- Accommodates a wide variety of easy to snap-in modules, providing configuration flexibility
- Compatible with all IC107 HD modules
- Available in almond, ivory, and white
- UL listed

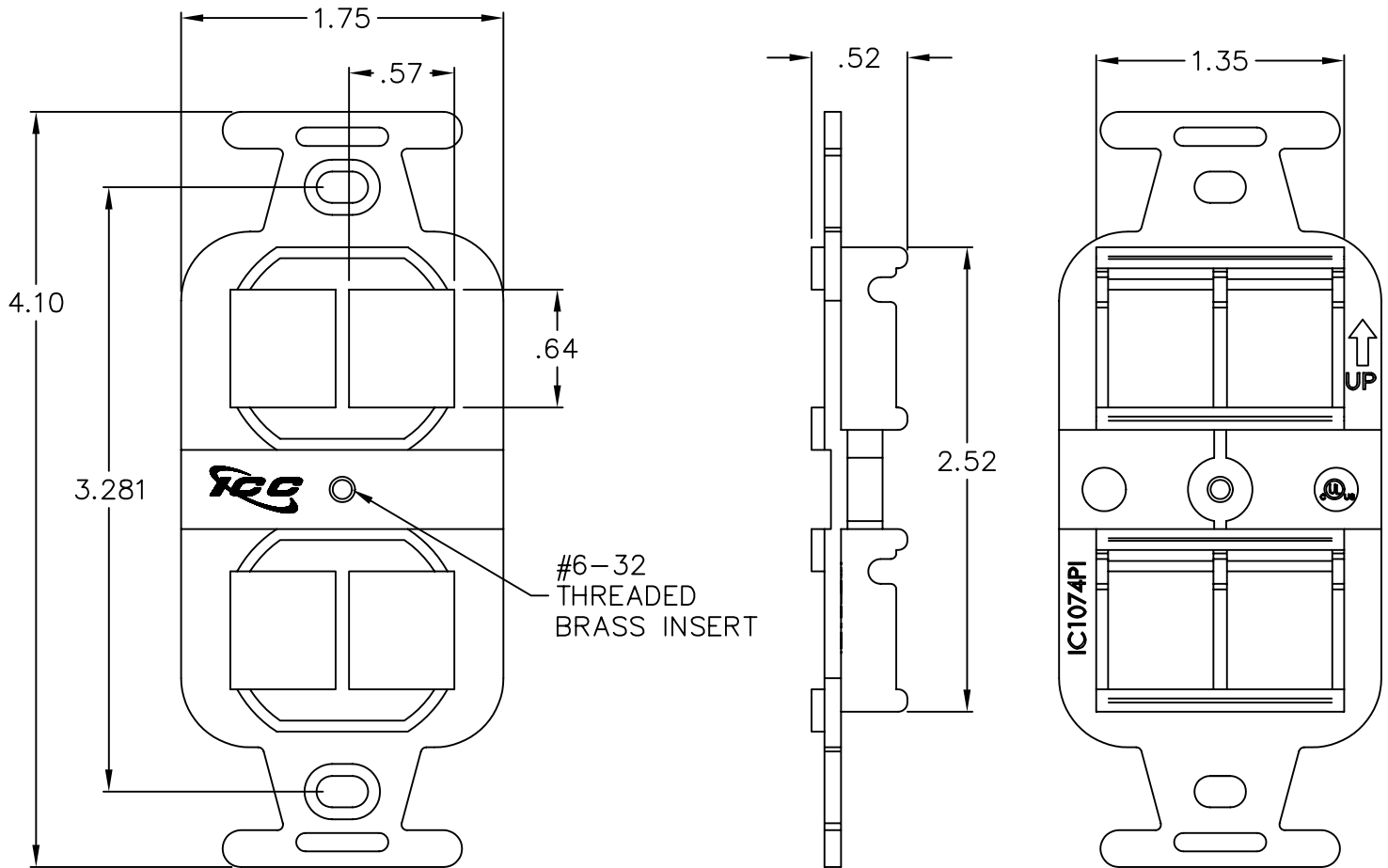
INSERT, ELECTRICAL, HD, 4-PORT

ITEM NO.	IC1074PIXX
DWG NO.	PS1074PI00

REV.	A
PAGE NO.	1




CUSTOMER CARE / TECHNICAL SUPPORT * CSR@ICC.COM / 888-ASK-4-ICC (275-4422) * 14700 Alondra Blvd., La Mirada, CA 90638 * * www.icc.com



NOTE: UNLESS OTHERWISE SPECIFIED

1. MATERIAL: ABS, UL 94V-0
2. FINISH: GLOSSY
3. COLOR: XX: AL-ALMOND, IV-IVORY & WH-WHITE

UL US FILE NO. 125268

INSERT, ELECTRICAL, HD, 4-PORT		 PremiumProducts <i>ProvenPerformance</i> <i>CompetitivePrices</i>	
ITEM NO.	IC1074PIXX		REV. A
DWG NO.	PS1074PI00		PAGE NO. 2

CUSTOMER CARE / TECHNICAL SUPPORT * CSR@ICC.COM / 888-ASK-4-ICC (275-4422) * 14700 Alondra Blvd., La Mirada, CA 90638 * www.icc.com