

# SureCrimp® Aluminum Compression Lugs

## Long Barrel - Standard Tang - Dual Rated

### Conductor Range: 1000kcmil - 600kcmil

**A**

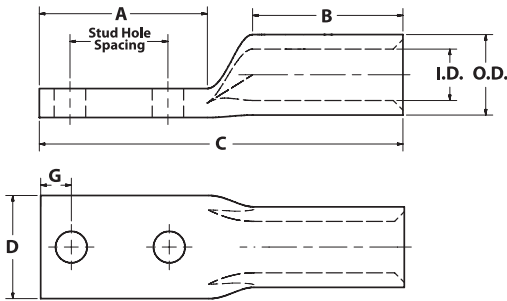
## TYPE ALND

### Features

- Manufactured from high strength aluminum alloy
- Electro-Tin plated
- Chamfered entry
- Color coded end cap
- Roll marked
- Two bolt hole pattern
- Pre-filled with DE-OX® oxide inhibiting compound
- Range taking
- Suitable for use in circuits rated 35KV or less, proper high voltage spacing and insulation techniques must be used
- Dual rated AL9CU to 90° C

### Benefits

- Offers maximum conductivity and excellent crimping characteristics
- Provides low contact resistance
- For easy conductor insertion
- Identifies the proper compression die
- For easy identification and proper location of crimps
- Provides maximum surface contact, secure attachment, and stabilization
- Prevents oxides from forming & promotes connector longevity
- Permits inventories to be kept to a minimum
- Application versatility
- For use with aluminum or copper conductor



Catalog Number	Wire Size	Expanded Wire Range*	Bolt Size	Stud Hole Dia.	Stud Hole Spacing	Dimensions - in (mm)							Die Color Code	Die Index
						A	B	C	D	G	O.D.	I.D.		
ALND-600-38-1	600kcmil	600kcmil-250kcmil	3/8	0.406 (10.3)	1.000 (25.4)	2.128 (54.1)	2.685 (68.2)	5.975 (151.8)	1.965 (49.9)	0.593 (15.1)	1.440 (36.6)	0.920 (23.4)	Black	473
ALND-600-38-134	600kcmil	600kcmil-250kcmil	3/8	0.406 (10.3)	1.750 (44.5)	2.796 (71.0)	2.685 (68.2)	6.660 (169.2)	1.965 (49.9)	0.593 (15.1)	1.440 (36.6)	0.920 (23.4)	Black	473
ALND-600-12-1	600kcmil	600kcmil-250kcmil	1/2	0.562 (14.3)	1.000 (25.4)	2.262 (57.5)	2.685 (68.2)	6.130 (155.7)	1.965 (49.9)	0.671 (17.0)	1.440 (36.6)	0.920 (23.4)	Black	473
ALND-600-12-134	600kcmil	600kcmil-250kcmil	1/2	0.562 (14.3)	1.750 (44.5)	3.150 (80.0)	2.685 (68.2)	6.973 (177.1)	1.965 (49.9)	0.546 (13.9)	1.440 (36.6)	0.920 (23.4)	Black	473
ALND-700/750-38-1	700/750kcmil	750kcmil-500kcmil	3/8	0.406 (10.3)	1.000 (25.4)	2.121 (53.9)	2.964 (75.3)	6.220 (158.0)	2.048 (52.0)	0.623 (15.8)	1.460 (37.1)	1.030 (26.2)	Yellow	936
ALND-700/750-38-134	700/750kcmil	750kcmil-500kcmil	3/8	0.406 (10.3)	1.750 (44.5)	2.812 (71.4)	2.964 (75.3)	6.900 (175.3)	2.048 (52.0)	0.623 (15.8)	1.460 (37.1)	1.030 (26.2)	Yellow	936
ALND-700/750-12-1	700/750kcmil	750kcmil-500kcmil	1/2	0.562 (14.3)	1.000 (25.4)	2.298 (58.4)	2.964 (75.3)	6.400 (162.6)	2.048 (52.0)	0.701 (17.8)	1.460 (37.1)	1.030 (26.2)	Yellow	936
ALND-700/750-12-134	700/750kcmil	750kcmil-500kcmil	1/2	0.562 (14.3)	1.750 (44.5)	3.162 (80.3)	2.964 (75.3)	7.062 (179.4)	2.048 (52.0)	0.546 (13.9)	1.460 (37.1)	1.030 (26.2)	Yellow	936
ALND-1000-38-1	1000kcmil	1000kcmil-750kcmil	3/8	0.406 (10.3)	1.000 (25.4)	2.249 (57.1)	2.996 (76.1)	6.840 (173.8)	2.514 (63.9)	0.733 (18.6)	1.840 (46.7)	1.180 (30.0)	Brown	P302
ALND-1000-38-134	1000kcmil	1000kcmil-750kcmil	3/8	0.406 (10.3)	1.750 (44.5)	2.947 (74.9)	2.996 (76.1)	7.530 (191.3)	2.514 (63.9)	0.733 (18.6)	1.840 (46.7)	1.180 (30.0)	Brown	P302
ALND-1000-12-1	1000kcmil	1000kcmil-750kcmil	1/2	0.562 (14.3)	1.000 (25.4)	2.125 (54.0)	2.996 (76.1)	6.806 (172.9)	2.514 (63.9)	0.811 (20.6)	1.840 (46.7)	1.180 (30.0)	Brown	P302
ALND-1000-12-134	1000kcmil	1000kcmil-750kcmil	1/2	0.562 (14.3)	1.750 (44.5)	3.231 (82.1)	2.996 (76.1)	7.795 (198.0)	2.514 (63.9)	0.546 (13.9)	1.840 (46.7)	1.180 (30.0)	Brown	P302

For Tool and Die Information Refer to Tooling Information Page Series: ALNS, ALND, ALNN, ASN

\* When installed with specified dieless tools

Tested to UL 486A/B, UL File E6207