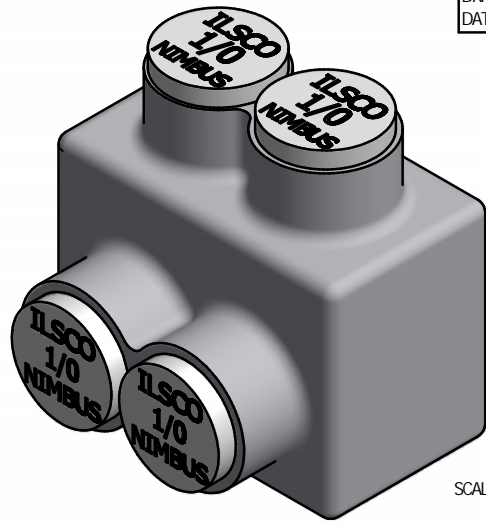
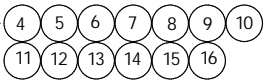
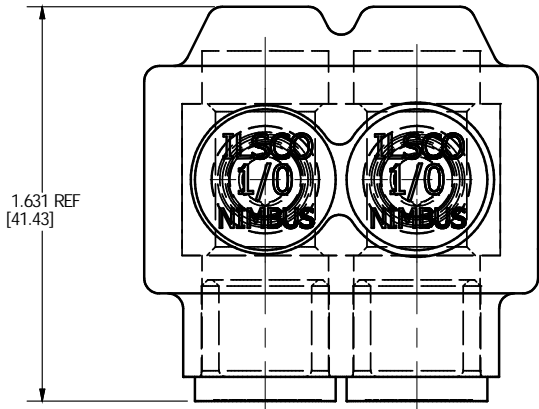
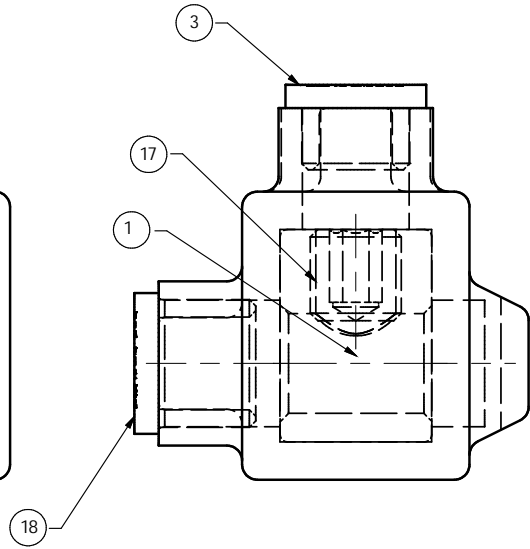
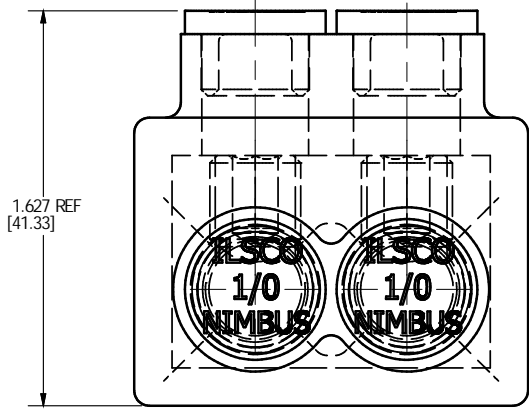


CAT. NO.: SEE CHART	TOLERANCES UNLESS OTHERWISE SPECIFIED	DWG. NO.	
MASS:	2 PL. DEC. ±.015 3 PL. DEC. ±.010	M2833AXXW	
	TRUE C.L. ±.015 ANGLES ±1	SHEET 2 OF 2	
DRAWN BY: CLH	SCALE:		
DATE: 1/24/2008	SIZE: B		
	REV.		
		DESCRIPTION	



SCALE 2 : 1

- NOTES:
1. WHEN R0782 IS CALLED OUT, ONE SHOT OF GREASE IN EACH WIRE OPENING
 2. ADD DTE-24 TO WIREWAY OR SCREW TO IMPROVE ASSEMBLY IF NEEDED



M2833A14W	M2833A13W	M2833A12W	M2833A11W	M2833A10W	M2833A09W	M2833A08W	M2833A07W	M2833A06W	M2833A05W	M2833A04W	M2833A03W	M2833A02W				
PRT S-14-1/0	PRT S-13-1/0	PRT S-12-1/0	PRT S-11-1/0	PRT S-10-1/0	PRT S-9-1/0	PRT S-8-1/0	PRT S-7-1/0	PRT S-6-1/0	PRT S-5-1/0	PRT S-4-1/0	PRT S-3-1/0	PRT S-2-1/0				
14	13	12	11	10	9	8	7	6	5	4	3	2	1	18	R1748C00A	WIRE PORT PLUG 1/0
14	13	12	11	10	9	8	7	6	5	4	3	2	1	17	E1376C001	STEEL SCREW 3/8-24 UNF-2A
1		1												16	M2833B14W	ENCAPSULATED BODY, AL MECH.
														15	M2833B13W	ENCAPSULATED BODY, AL MECH.
														14	M2833B12W	ENCAPSULATED BODY, AL MECH.
														13	M2833B11W	ENCAPSULATED BODY, AL MECH.
														12	M2833B10W	ENCAPSULATED BODY, AL MECH.
														11	M2833B09W	ENCAPSULATED BODY, AL MECH.
														10	M2833B08W	ENCAPSULATED BODY, AL MECH.
														9	M2833B07W	ENCAPSULATED BODY, AL MECH.
														8	M2833B06W	ENCAPSULATED BODY, AL MECH.
														7	M2833B05W	ENCAPSULATED BODY, AL MECH.
														6	M2833B04W	ENCAPSULATED BODY, AL MECH.
														5	M2833B03W	ENCAPSULATED BODY, AL MECH.
														4	M2833B02W	ENCAPSULATED BODY, AL MECH.
14	13	12	11	10	9	8	7	6	5	4	3	2	1		R1736C00A	PORT PLUG 1/0
1	1	1	1	1	1	1	1	1	1	1	1	1	1	2	FORM 1	ILSCO MECH CON TORQUE REQ
14	13	12	11	10	9	8	7	6	5	4	3	2	1		R0782W00A	DE-OX-55GAL GREEN
QTY	QTY	QTY	QTY	QTY	QTY	QTY	QTY	QTY	QTY	QTY	QTY	QTY	QTY	NO	PART #	DESCRIPTION