

CAT. NO.: PDB-22-2/0-3

MASS:

TOLERANCES-UNLESS OTHERWISE SPECIFIED  
2 PL. DEC. ±.015 TRUE CL. ±.015  
3 PL. DEC. ±.015 ANGLES ±1

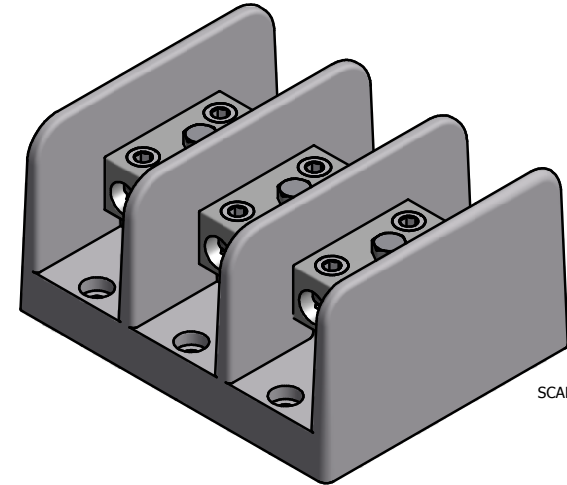
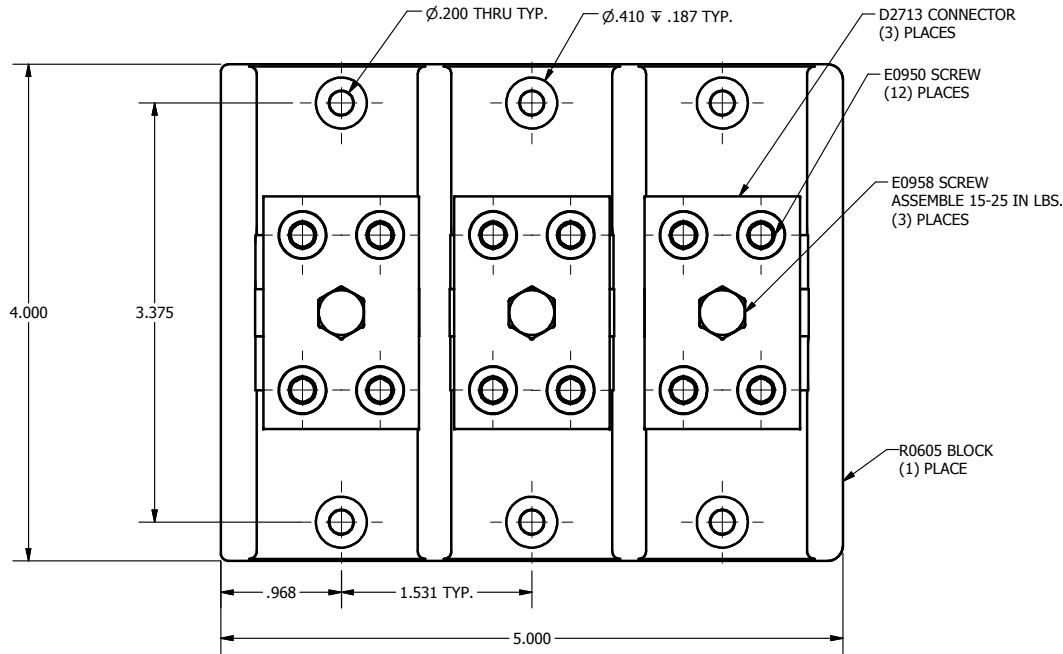
DWG. NO.  
**M2561**  
SHEET 1 OF 1



DRAWN BY: CLH  
DATE: 12/11/2007

SCALE:  
SIZE: B

REV.	DESCRIPTION
I	



SCALE .7: 1

