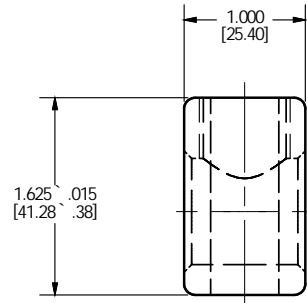
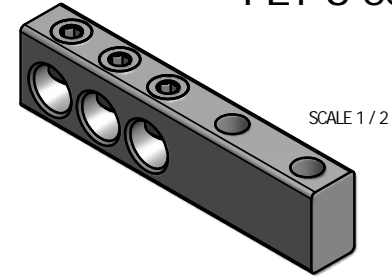
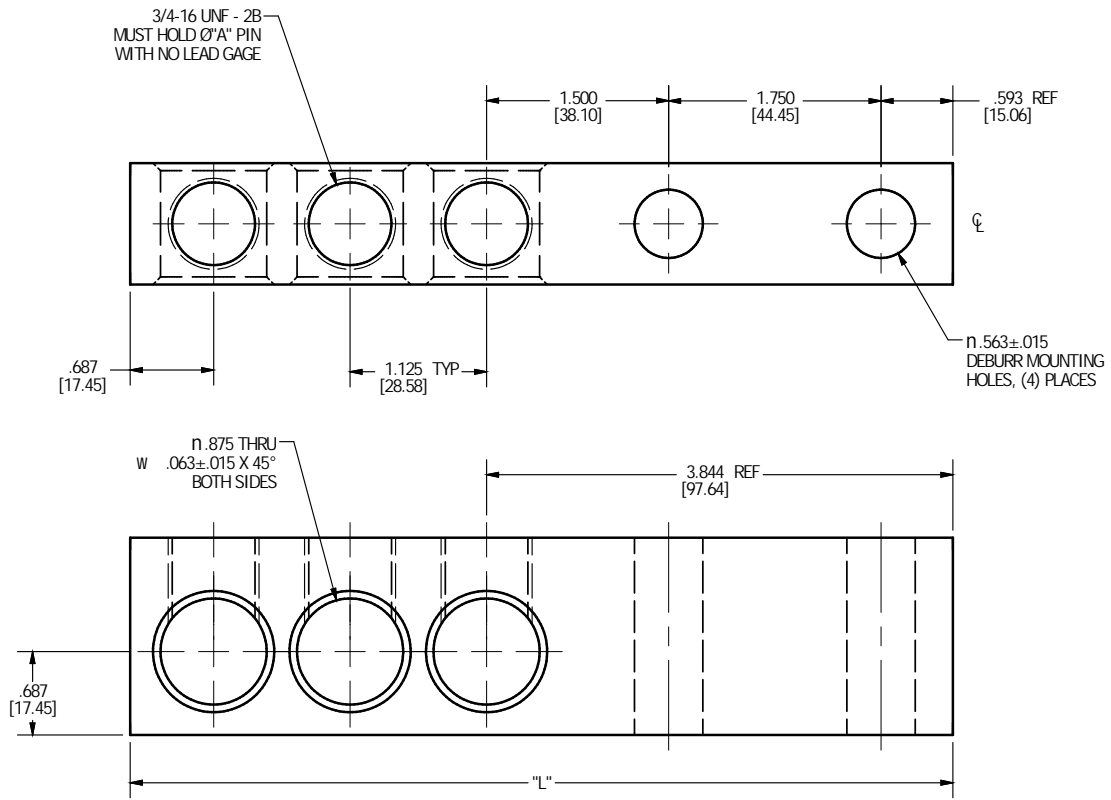


SCREW: SEE CHART	MATERIAL: ALUMINUM, X0978	CELL: AN/P	TOLERANCES UNLESS OTHERWISE SPECIFIED	DWG. NO.
CAT. NO.:	PLATING: VMAX	STUFFER SHT.: FORM T8	2 PL. DEC. ±.015 3 PL. DEC. ±.010	N7382 -03 -06 -04 -08
MASS: SEE CHART	MARKING: UTILCO, PET 500, 500MCM-2, AL-CU	DRAWN BY: CLH	TRUE C.L. ±.015 ANGLES ±1	SHEET 1 OF 1 -05
SURFACE AREA: SEE CHART ²		DATE: 9/19/2007	SCALE: 1:1 SIZE: B	



REV.	DESCRIPTION

Cat #: PET-4-500-Z
 PET-6-500-Z
 PET-8-500-Z



ASSY	BAR	"L"	OUTLETS	SCREW	"A"	MASS LBS.	SURFACE AREA IN ²
A03	C03	6.781	3	E0951	.417	.757	47.952
A04	C04	7.906	4	E0951	.417	.856	55.494
A05	C05	9.031	5	E0951	.417	.955	63.036
A06	C06	10.156	6	E0951	.417	1.054	70.578
A08	C08	12.406	8	E0951	.417	1.153	78.120
A16	C06	10.156	6	E6090	.351	1.054	70.578