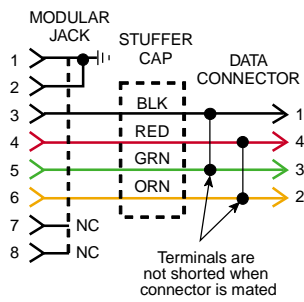
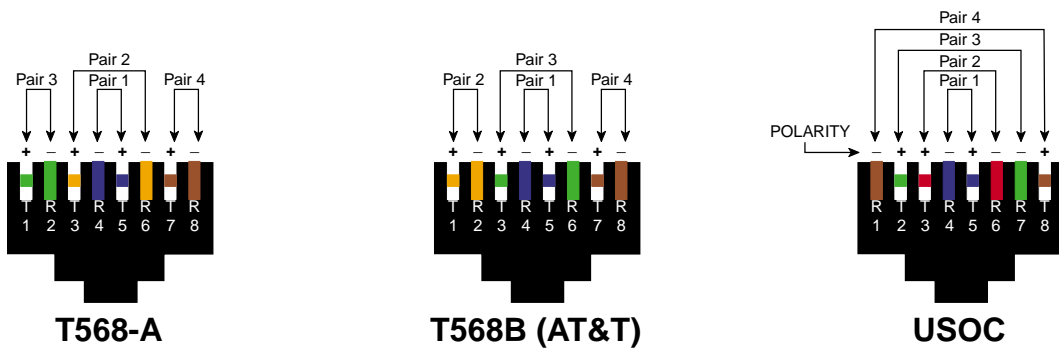
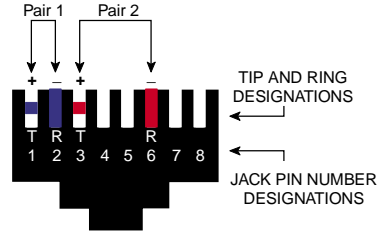


Wiring Configurations for Modular Plugs



Token Ring



10Base-T
(4 WIRE ETHERNET)

Note: Diagrams reflect flat surface of modular plug facing up, with tab side down.

Wire Color Codes

Standard 4-Pair Wiring Color Codes

PAIR 1	T	White/Blue
	R	Blue
PAIR 2	T	White/Orange
	R	Orange
PAIR 3	T	White/Green
	R	Green
PAIR 4	T	White/Brown
	R	Brown

Note: For 6-wire jacks use pair 1, 2 and 3 color codes. For 4-wire jacks use pair 1 and 2 color codes.

A. Band-Striped Twisted-Pair Wire

B. Solid-Color Twisted-Pair Wire

