


MBUL MINI LED BULLET	Cat.#		 HUBBELL Outdoor Lighting
	Job	Type	

Intended Use:

- Landscape, pathway, accent, security, safety, and general floodlighting applications

Construction:

- Cast aluminum construction with heat dissipating fins on side of housing
- Textured tempered glass lens
- Two mounting capabilities:
 - 1/2" 14 NPS threaded mounting for box or pipe mounting
 - 6.75" stake with 8" SO cord for landscape applications included
- Adjustable swivel for easy adjustment
- Dark bronze corrosion resistant powder coat paint finish

Operating Temperature:

- -30°C to +40°C

LED:

- 1 AC powered LED
- 3000K
- 83 CRI

Electrical:

- 120V
- 13.2w
- 84.5 LPW
- Compatible with ELV (trailing edge) phase cut dimmers

Listings:

- Listed to UL1598 for use in wet locations
- DLC Qualified Consult DLC website for details: <http://www.designlights.org/QPL>
- NEMA 3R
- IP65

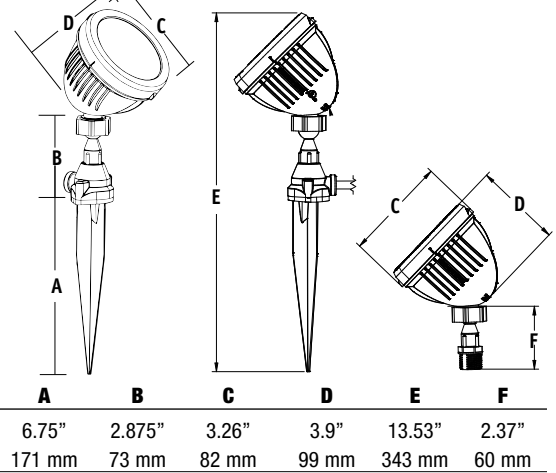
Warranty:

For more information visit:
<http://www.hubbelloutdoor.com/resources/warranty/>

PRODUCT IMAGE(S)



DIMENSIONS



CERTIFICATIONS/LISTINGS



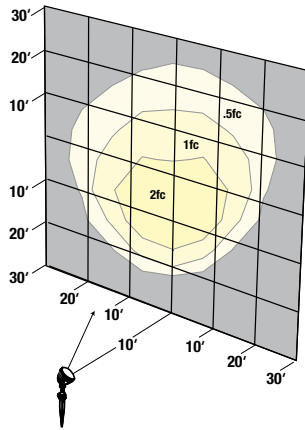
SHIPPING INFORMATION

Catalog Number	G.W(kg)/CTN	Carton Dimensions			Carton Qty. per Master Pack
		Length Inch (cm)	Width Inch (cm)	Height Inch (cm)	
MBUL-1L3K-1	8 (3.62)	14" (35.5)	8.25" (20.9)	6.25" (15.24)	4

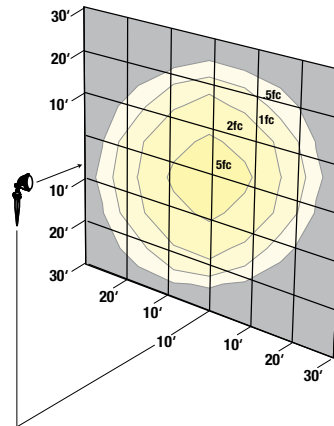
ORDERING INFORMATION

Catalog Number	Wattage	Voltage	Beam	Lumens	LPW	CCT/CRI	Weight lbs. (kg)
LED - Wet Location Listed - Universal Aiming							
MBUL-1L3K-1	13.2w	120V	6 x 6	1115	84.5	3000K/83	2 (0.9)

PHOTOMETRICS



45 Tilt 10' Set Back



Straight on 10' Set Back

PERFORMANCE DATA

SERIES NUMBER	SYSTEM WATTS	DISTRIBUTION TYPE	CCT (83 CRI)	LUMENS	LPW	MAX CANDLE POWER
MBUL-13K-1	13.2W	6 X 6	3000K	1115	84.5	777

Lumen values are from photometric test performed in accordance with IESNA LM-79-08. Data is considered to be representative of the configurations shown. Actual performance may differ as a result of end-user environment application and inherent performance balances of the electrical components.

PROJECTED LUMEN MAINTENANCE

Ambient Temp.	OPERATING HOURS					L70 (hours)
	0	25,000	50,000	TM-21-11 ¹ L96 54,000	100,000	
25°C / 77°F	1.00	0.90	0.31	0.79	0.65	>83,000
40°C / 104°F	1.00	0.88	0.78	0.76	0.61	>72,000

1. Projected per IESNA TM-21-11 * (Seoul Series 20mA, 85°C Ts, 9,000hrs)
Data references the extrapolated performance projections for the base model in a 40°C ambient, based on 10,000 hours of LED testing per IESNA LM-80-08.

LUMINAIRE AMBIENT TEMPERATURE FACTOR (LATF)

AMBIENT TEMPERATURE		LUMEN MULTIPLIER
0° C	32° F	1.06
10° C	50° F	1.04
20° C	68° F	1.02
25° C	77° F	1.00
30° C	86° F	0.98
40° C	104° F	0.95
50° C	122° F	0.91

Use these factors to determine relative lumen output for average ambient temperatures from 0-40°C (32-104°F).

ELECTRICAL DATA

# OF LEDs	DRIVE CURRENT (mA)	INPUT VOLTAGE (V)	CURRENT (Amps)	SYSTEM POWER (w)
1	20	120	0.11	13.2