

# LX Dry Contact Interface Module

LX SERIES NETWORKED LIGHTING CONTROLS

**TITLE 24**  
COMPLIANCE



**LX** Networked  
Lighting  
Controls

## PROJECT INFORMATION

Project Name \_\_\_\_\_

Catalog No. \_\_\_\_\_

Date \_\_\_\_\_



LXDCIMFT

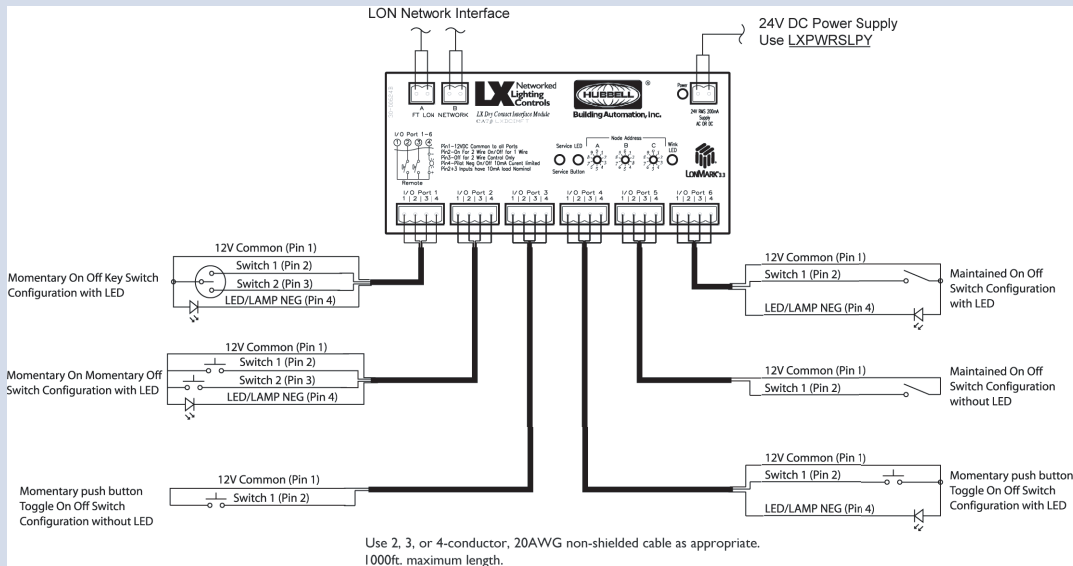
The LX Dry Contact Interface Module provides a simple method of incorporating standard dry contact inputs into the LX lighting control system. This device can incorporate dry contact closures from building automation, fire, and security alarm systems. It can also incorporate virtually any dry contact device (momentary or maintained).

Each of the 6 available inputs can be individually programmed to control a single relay, group of relays, or preset scene. For added control, the LX Dry Contact Input Module can be programmed to be active or inactive during specific time windows.

## PRODUCT FEATURES

- Programmable interface for dry contact devices
- Flexible programming of switch functionality
- 6 individual dry contact inputs with or without pilots
- Accommodates 2- and 3-wire devices (momentary or maintained)
- Programmable active and inactive times
- Topology-free, polarity-insensitive, 2-wire communication
- LonMark® certified
- Mounts to standard DIN rail
- Five-year limited warranty





## General Specifications

Network interface	FTT-10
Programmable functionality	Maintained contact switch input: - toggle, on only, off only Momentary contact switch input: - push button toggle, on only, off only Preset Timed on
Programming	Programmable over a network using the LX Touch Tablet
Capacities	Maximum of 6 momentary or maintained switches (2- or 3-wire)
Electrical	16–30 Volts AC or DC; .5 Amps required
Operating environment	Indoor use only Operating temperature: 32° to 104°F (0° to 40°C) Relative humidity (non-condensing): 0% to 95%
Dimensions	6.25" x 3.75" x 1.5"
Weight	6.0 oz
Color	Black
Mounting	Mounts to a 35mm DIN rail
Certifications	LonMark 3.3 certified
Warranty	Five-year limited

## Ordering Information

<b>LX</b>	<b>DCIM</b>	<b>FT</b>
<b>MODEL</b>	<b>DEVICE TYPE</b>	<b>NETWORK INTERFACE</b>
<b>LX</b>	<b>DCIM<sup>1</sup></b>	<b>FT</b>

**NOTE:**  
1. FT ONLY.



**HUBBELL**  
Control Solutions