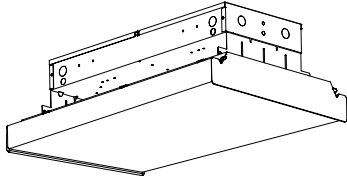


LED

create**change**



PROJECT INFORMATION

Project Name _____

Type _____

Catalog No. _____

Date _____

FEATURES

- Quick and simple aircraft cable hanging system or pendant mount bracket available
- Long-life, 60,000 hour LEDs at L80 reduce life cycle maintenance costs
- Four LED color choices and 83 CRI
- Diffuse Wrap Lens available
- Utilizes TIR directional linear optics for optimal aisle lighting performance
- Available in narrow or wide distribution
- Fixed output or 0-10V dimming drivers; 1% dimming optional
- Easy access to LED boards and drivers
- CSA listed and suitable for damp locations
- Available with factory installed On/Off or Dimming Occupancy Sensors with wide or aisle lens option
- Design Lights Consortium (DLC) qualified
- Five year warranty

CONSTRUCTION

Luminaire housing, and end caps are die-formed code-gauge cold-rolled steel. LED modules mounted to housing surface and drivers mounted in separate compartment to minimize heat.

FINISH

All metal parts processed with a multi-stage phosphate bonding treatment and finished with a high reflectance baked white enamel.

SHIELDING

TIR-LAL patented optics available for aisle distribution. Acrylic lens available for wide distribution to minimize glare.

MOUNTING

Mounting options include 2 point aircraft cable, 4 point hook and cable or bracket for pipe/pendant hanger. Not recommended for surface mounting. Recommended mounting heights of 12' to 30' for optimum performance.

PERFORMANCE

LWS provides high efficacy, reduced input wattage compared to HID or fluorescent while also providing exceptional lighting quality needed in industrial and retail applications. Recommended mounting heights of 12' to 30' for optimum performance.

CERTIFICATION

All luminaires are built to UL 1598 and 2108 standards, and bear appropriate CSA labels. Damp location labeling is standard. Emergency equipped fixtures labeled UL924. Adheres to LM79, LM80 and TM21 industry standards. DesignLights Consortium®(DLC) qualified. Please refer to the DLC website for specific product qualifications at www.designlights.org.

WARRANTY

Five year-warranty standard. (Terms and Conditions Apply). Additional terms negotiable.

ORDERING INFORMATION

EXAMPLE LWS-40HL-AC-EDU-SFA

MODEL	COLOR TEMP	LUMEN OUTPUT	DISTRIBUTION	DRIVER	VOLTAGE	OPTIONS
LWS LED Suspended High Bay	30 3000K 35 3500K 40 4000K 50 5000K	ML Medium Lumen HL High Lumen VL Very High Lumen XL Xtra High Lumen See Product Availability Table Below	AC Aisle-Clear Optics AD Aisle-Diffuse Optics W Wide (SFA option recommended with W distribuion)	E Fixed Output ED 0-10V Dimming ED1 0-10V Dimming to 1% ¹	U 120V-277V 347 347V 480 480V	C6TL15 6' Cord and Twist-Lock™ Plug 15A (Add Voltage: 1=120, 2=277) C6TL20 6' Cord and Twist-Lock™ Plug 20A (Add Voltage 1=120, 2=277) C6P151 6' Cord and Straight Blade Plug 15A (Add Voltage: 1=120V, 2=277V) F3CX 3-Conductor Cord (add length for X: 5=5', 10=10', 15=15') F4CX 4-Conductor Cord (add length for X: 5=5', 10=10', 15=15') F5CX 5-Conductor Cord (add length for X: 5=5', 10=10', 15=15") ELL14 Emergency Battery Pack Installed, 1400 Lumens ^{2,3} SFA Smooth Frosted Acrylic Wrap Lens GLR Fast Blow Fuse PM Pendant Mounting Bracket 3/4" (pendant not included) OS1360 Factory Installed Occupancy/Daylight, Sensor, 1-relay, 360° lens 120/277 OS2360 Factory Installed Occupancy/Daylight, Sensor, 2-relay, 360° lens 120/277 OS1A Factory Installed Occupancy/Daylight Sensor, 1-relay, Aisle lens, 120/277 OS2A Factory Installed Occupancy/Daylight Sensor, 2-relay, Aisle lens, 120/277 ODS1360 Factory Installed Dimming Occupancy/Daylight Sensor, 1-relay, 360° lens 120/277 ODS1A Factory Installed Dimming Occupancy/Daylight Sensor, 1-relay, Aisle lens 120/277

PRODUCT AVAILABILITY				
OUTPUT	NOMINAL LUMENS	WATTS	LPW	AMBIENT
ML	9,750-11,115	87	124	55°C
HL	11,050-14,540	110	125	40°C
VL	13,780-16,910	146	119	40°C
XL	15,300-20,400	163	118	40°C

ACCESSORIES (ORDER SEPARATELY)	
LWSQM5	Aircraft Cable 5' (Pair)
LWSQM10	Aircraft Cable 10' (Pair)
C6TL15-120	Cord & Plug Kit, 6 ft, Twist Lock NEMA L5-15P, 15 amp, 120V, White
C6TL15-277	Cord & Plug Kit, 6 ft, Twist Lock NEMA L7-15P, 15 amp, 277V, White
C6P15-120	Cord & Plug Kit, 6 ft, Straight Blade NEMA 5-15P, 15 amp, 120V, White
LWS-WG	Wire Guard, white, field installed

¹ED1 available with ML and HL only

²Not available in 347V or 480V

³For compatibility with Dual-Lite LiteGear® inverters, contact Hubbell Lighting Representative

For questions about configuration options, contact Hubbell Representative

PHOTOMETRIC DATA

Test LWS-30ML-AD-EDU Test Date 11/19/2015

LUMINAIRE DATA

Luminaire	LWS-30ML-AD-EDU LWS Led Specification Grade 15" X 24" Led with frosted optical lens
Ballast	XI095C275V054DNF1
Ballast Factor	1.00
Lamp	LED
Fixture Lumens	10367
Watts	86.90
Mounting	Pendant
Shielding Angle	0° = 90 90° = 90
Spacing Criterion	0° = 1.23 90° = 0.78
Luminous Opening in Feet	Length: 2.00 Width: 1.27 Height: 0.00

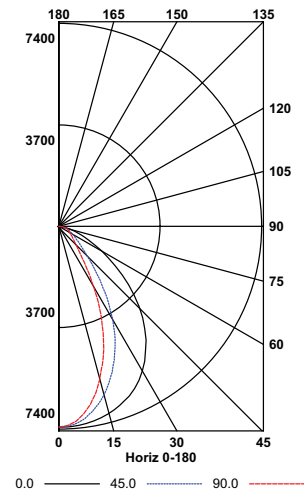
ZONAL LUMEN SUMMARY

Zone	Lumens	% Lamp	% Fixt.
0-30	4751	45.8	45.8
0-40	6792	65.5	65.5
0-60	9290	89.6	89.6
0-90	10340	99.7	99.7
0-180	10367	100.0	100.0

ENERGY DATA

Total Luminaire Efficiency	100.0%
Total Lumens per Watt	119
IESNA RP-1-2004 Compliance	Non-Compliant
Comparative Yearly Lighting Energy Cost per 1000 Lumens	\$2.02 based on 3000 hrs. and \$0.08 per KWH

INDOOR CANDELA PLOT



Test LWS-40VL-AC-EU Test Date 5/22/2015

LUMINAIRE DATA

Luminaire	LWS-40VL-AC-EU LWS LED Specification Grade 24" x 15" Indoor Downlight with OPTIC only.
Ballast	OTI 85/120/277/2A6 DIMT2
Ballast Factor	1.00
Lamp	LED
Fixture Lumens	15295
Watts	145.70
Mounting	Pendant
Shielding Angle	0° = 90 90° = 90
Spacing Criterion	0° = 1.36 90° = 0.62
Luminous Opening in Feet	Length: 1.96 Width: 1.27 Height: 0.00

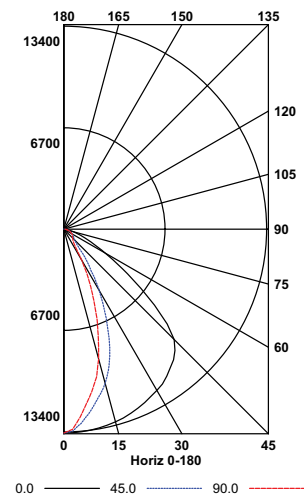
ZONAL LUMEN SUMMARY

Zone	Lumens	% Lamp	% Fixt.
0-30	7684	50.2	50.2
0-40	10517	68.8	68.8
0-60	13928	91.1	91.1
0-90	15254	99.7	99.7
0-180	15295	100.0	100.0

ENERGY DATA

Total Luminaire Efficiency	100.0%
Total Lumens per Watt	105
IESNA RP-1-2004 Compliance	Non-Compliant
Comparative Yearly Lighting Energy Cost per 1000 Lumens	\$2.29 based on 3000 hrs. and \$0.08 per KWH

INDOOR CANDELA PLOT



Test LWS-40XL-AD-EDU Test Date 11/13/2015

LUMINAIRE DATA

Luminaire	LWS-40XLAD-EDU LWS LED Specification Grade LWS low bay, new frosted optical lens
Ballast	D23CC90UNVT-F
Ballast Factor	1.00
Lamp	LED
Fixture Lumens	18978
Watts	164.30
Mounting	Pendant
Shielding Angle	0° = 90 90° = 90
Spacing Criterion	0° = 1.34 90° = 0.65
Luminous Opening in Feet	Length: 2.00 Width: 1.08 Height: 0.00

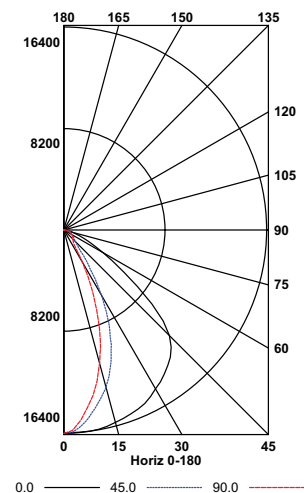
ZONAL LUMEN SUMMARY

Zone	Lumens	% Lamp	% Fixt.
0-30	9634	50.8	50.8
0-40	13156	69.3	69.3
0-60	17301	91.2	91.2
0-90	18935	99.8	99.8
0-180	18978	100.0	100.0

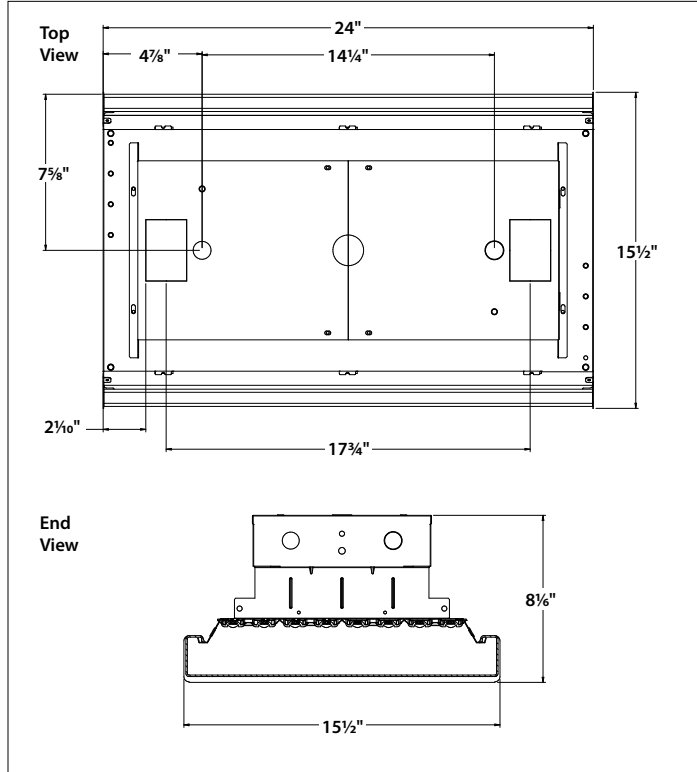
ENERGY DATA

Total Luminaire Efficiency	100.0%
Total Lumens per Watt	116
IESNA RP-1-2004 Compliance	Non-Compliant
Comparative Yearly Lighting Energy Cost per 1000 Lumens	\$2.07 based on 3000 hrs. and \$0.08 per KWH

INDOOR CANDELA PLOT



DIMENSIONAL DATA



NOTE: All dimensions are in inches; dimensions and specifications are subject to change without notice. Please consult factory or check sample for verification.

AIRCRAFT CABLE MOUNTING

