

LNC2 SERIES

Cat.#	
Job	Type



Approvals

SPECIFICATIONS

Intended Use:

The compact LED LNC2 is designed for perimeter illumination for safety, security and identity. This compact fixture has no uplight and is neighbor friendly with typical mounting heights up to 15ft. Units are supplied with an acrylic diffuser accessory that can be used for lower LED brightness near building entrances or other pedestrian areas. Units have protective polyester finish for long lasting appearance.

Construction:

Decorative die-cast aluminum housing protects components and provides an architectural appearance. Casting thermally conducts LED heat to optimize performance and long life. Powder paint finish provides durability in outdoor environments.

Electrical:

- 120V-277V universal voltage 50/60Hz 0-10V dimming drivers
- 347V and 480V dimmable driver option in 12L configuration
- Electronic drivers: One in 5L, 7L, 9L and 12L units
Two drivers in 18L units
- Minimum operating temperature is -40°C/-40°F
- Driver RoHS and IP66
- Drivers have greater than .90 power factor and less than 20% Total Harmonic Distortion

LED(s) CCT:

- 3000K CCT nominal – 80 CRI, 4000K CCT nominal – 70 CRI, 5000K CCT nominal – 70 CRI
- 5, 7, 9, 12 and 18 LED configurations available see page 2 for electrical and photometric details

Optical:

Type II, III and IV distributions with zero uplight; Individual PMMA acrylic lenses for wide lateral throw, maximum control and efficiency; Acrylic diffuser included where reduced LED brightness is desired

Lumen Maintenance:

L96 at 60,000hrs (Projected per IESNA TM-21-11), see table on page 2 for all values

Installation:

Quick-mount adapter provides easy installation to wall or to recessed junction boxes (4" square junction box). Gasket seal and secured by two Allen-head hidden fasteners for tamper resistance. Designed for direct j-box mount or conduit feed in single SKU. Conduit feed not available with BBU.

Options:

Controls:

- Button photocontrol for dusk to dawn energy savings
- Occupancy sensor options available for complete on/off and dimming control (includes factory installed back box)

Egress (includes factory installed back box):

- Battery back-up option - 12L configuration only
- Provides 1 fc minimum over 10' x 10' at 11' mounting height (exceeds NEC requirement)
- 1,546 initial lumens in battery mode
- Meets UL924 90 minute discharge schedule
- -20°C to 30°C operating temperature

Listings:

- DLC Qualified (Types III and IV) Consult DLC website for details:
<http://www.designlights.org/QPL>
- Listed to UL 1598 for use in wet locations, 40° C ambient environments

Warranty:

- Five year limited warranty (for more information visit: <http://www.hubbelloutdoor.com/resources/warranty/>)
- IES Progress Award Winner - 2013
 - Building Operating Management 2014 Top Products Award - LNC2-18LU

PRODUCT IMAGE(S)



LNC2-12LU



LNC2-18LU

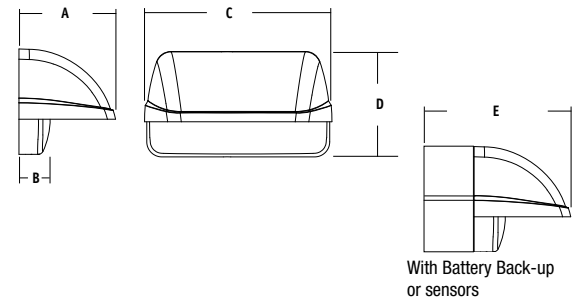


With diffuser



Battery Back-up or Sensor - See Page 2,3

DIMENSIONS



A	B	C	D	E	Weight / BBU
6.25"	1.6"	10.25"	5.6"	10.25"	7.0 / 15.0 lbs.
158.7 mm	40.2 mm	260.4 mm	142.2 mm	260.4 mm	3.2 / 6.8 kg

SHIPPING INFORMATION

Catalog Number	G.W.(kg)/CTN	Carton Dimensions			Carton Qty. per Master Pack
		Length Inch (cm)	Width Inch (cm)	Height Inch (cm)	
LNC2-12LU	14.3 (6.5)	14.5 (37)	11.4 (29)	8.4 (21.5)	2
LNC2-18LU	14.8 (6.7)	14.9 (38)	11.4 (29)	8.4 (21.5)	2

CERTIFICATIONS/LISTINGS



*3000K and warmer CCTs only

ORDERING INFORMATION – ORDERING EXAMPLE: LNC2-12LU-5K-3-1

SERIES	NUMBER OF LEDS	VOLTAGE ⁷	CCT	IES DISTRIBUTION	FINISH	OPTIONS
LNC2 LNC2	5L 5 LEDs 7L 7 LEDs 9L 9 LEDs 12L ³ 12 LEDs 18L 18 LEDs 12L5 12 LEDs, 480V 12LF 12 LEDs, 347V	U 120V-277V 1 120V 2 208V 3 240V 4 277V 5 480V (12L only) F 347V (12L only)	3K ² 3000K nominal 80 CRI 4K 4000K nominal 70 CRI 5K 5000K nominal 67 CRI AM Amber (590 μm available for "Turtle Friendly"/observatory applications, 350 mA (consult factory)	2 ² Type II 3 Type III 4 Type IV	1 Bronze 2 Black 3 Gray 4 White 5 Platinum	PC ⁷ Photocontrol (Must specify individual voltage) BBU ^{1,6} Integral battery for 12L only (must specify 120V or 277V voltage in voltage category) rated for -20°C to 30°C SCP ^{4,5,6} Programmable motion control, factory default is 10% light output

¹ Battery backup only available on 12L models, not available for Canada

² Does not qualify for DLC

³ Replace U with 1 for 120V or 4 for 277V for 12L with BBU

⁴ Must order minimum of one remote control to program dimming settings, 0-10V fully adjustable dimming with automatic daylight calibration and different time delay settings, 120V-277V only

⁵ PC option not applicable, included in sensor

⁶ BBU and motion sensor options cannot be combined

⁷ Specify voltage for PC option 120-277V only

[Controls Guide](#)



Hubbell Outdoor Lighting • 701 Millennium Boulevard • Greenville, SC 29607 • Phone: 864-678-1000

Due to our continued efforts to improve our products, product specifications are subject to change without notice.

© 2016 HUBBELL OUTDOOR LIGHTING, All Rights Reserved • For more information visit our website: www.hubbelloutdoor.com • Printed in USA

LAREDOLNC2-SPEC 9/16

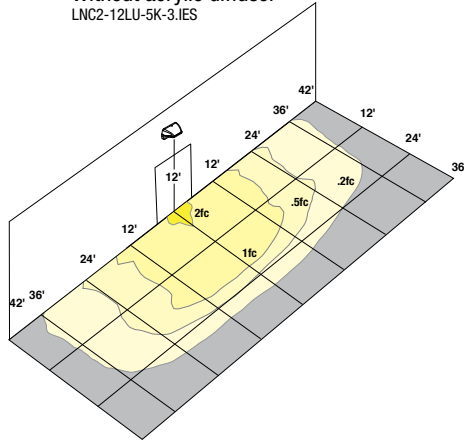
REPLACEMENT PART/ACCESSORIES

CATALOG NUMBER	DESCRIPTION
93044013	Frosted comfort shield, improves uniformity with only 5% lumen reduction
SCP-REMOTE*	Remote control for SCP option. Order at least one per project to program and control fixtures

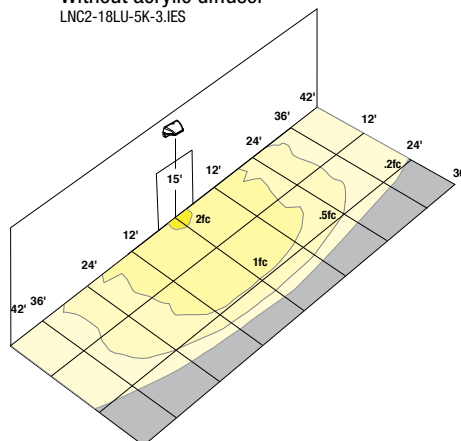
*Must order minimum of one remote control to program dimming settings, 0-10V fully adjustable dimming with automatic daylight calibration and different time delay settings, 120V or 277V only

PHOTOMETRICS

Without acrylic diffuser
LNC2-12LU-5K-3.IES



Without acrylic diffuser
LNC2-18LU-5K-3.IES



PERFORMANCE DATA

# OF LEDS	DRIVE CURRENT	SYSTEM WATTS	DIST. TYPE	5K (5000K nominal, 70 CRI)		4K (4000K nominal, 70 CRI)		3K (3000K nominal, 80 CRI)	
				LUMENS	LPW ¹	LUMENS	LPW ¹	LUMENS	LPW ¹
5	STD. (700mA)	13W	2	1,150	88.5	1,052	81	883	68
			3	1,132	87	1,077	83	833	64
			4	1,146	88	1,053	81	849	65
7	STD. (700mA)	17W	2	1,515	89	1,369	80.5	1,272	75
			3	1,500	88	1,539	90.5	1,392	82
			4	1,557	91.5	1,535	90	1,425	84
9	STD. (700mA)	22W	2	2,069	94	2,033	92	1,588	72
			3	2,024	92	1,989	90	1,623	74
			4	2,095	95	2,059	93.5	1,680	76
12	STD. (700mA)	28w	2	2,869	102.5	2,465	88	2,047	73
			3	2,868	102.5	2,662	95	2,160	77
			4	2,716	97	2,715	97	2,104	75
18	STD. (700mA)	42.7w	2	4,166	97.5	3,631	85	3,304	77
			3	4,106	96	3,806	89	3,128	73
			4	3,995	93.5	3,998	93.5	3,122	73

Lumen values are from photometric tests performed in accordance with IESNA LM-79-08. Data is considered to be representative of the configurations shown. Actual performance may differ as a result of end-user environment and application. LNC2-12L battery mode produces 1,546 initial lumens. Meets UL924 90 minute discharge pattern.

PROJECTED LUMEN MAINTENANCE

Ambient Temp.	OPERATING HOURS					
	0	25,000	50,000	TM-21-11 ¹ L96 60,000	100,000	L70 (hours)
25°C / 77°F	1.00	0.98	0.97	0.96	0.95	>791,000
40°C / 104°F	0.99	0.98	0.96	0.96	0.94	>635,000

1. Projected per IESNA TM-21-11 * (Nichia 219B, 700mA, 85°C Ts, 10,000hrs)
Data references the extrapolated performance projections for the LNC-12LU-5K base model in a 40°C ambient, based on 10,000 hours of LED testing per IESNA LM-80-08.

LUMINAIRE AMBIENT TEMPERATURE FACTOR (LATF)

AMBIENT TEMPERATURE	AMBIENT TEMPERATURE	LUMEN MULTIPLIER
0° C	32° F	1.02
10° C	50° F	1.01
20° C	68° F	1.00
25° C	77° F	1.00
30° C	86° F	1.00
40° C	104° F	0.99

Use these factors to determine relative lumen output for average ambient temperatures from 0-40°C (32-104°F).

ELECTRICAL DATA

# OF LEDS	DRIVE CURRENT (mA)	INPUT VOLTAGE (V)	CURRENT (Amps)	SYSTEM POWER (w)
7	STD. (700mA)	120	-	18
		277	-	18
9	STD. (700mA)	120	0.183	22
		277	0.09	22.1
12	STD. (700mA)	120	0.24	28.9
		277	0.10	27.7
		347	0.10	33.7
18	STD. (700mA)	480	0.06	28.9
		120	0.35	41.0
18 Amber	STD. (700mA)	277	0.15	41.5
		120	2.68	32.0

MOTION SENSOR OPTION



Sensor offers greater control and energy savings with SCP programmable sensor with adjustable delay and dimming levels (Factory default is 10%)

Visit: <http://www.hubbellighting.com/solutions/controls/> for control application information

LNC2 – BATTERY BACK UP

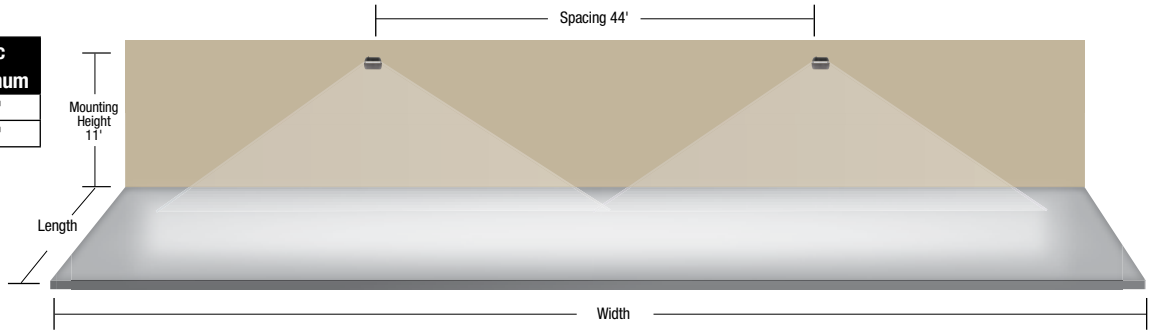


Side View

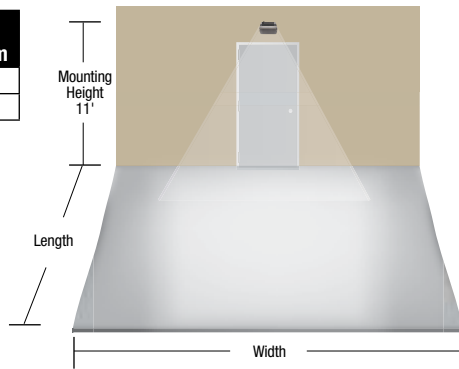


3/4 View

Multi Unit	1 fc Average	1 fc Minimum
Length	16'	15'
Width	112'	68'



Single Unit	1 fc Average	1 fc Minimum
Length	16'	15'
Width	48'	24'



Provides Life Safety Code average illuminance of 1.0 fc. Assumes open space with no obstructions and mounting height of 11'
 Diagrams for illustration purposes only, please consult factory for application layout.