

createchange

FEATURES

- Full distribution LED troffer
- Direct replacement for fluorescent 2x2
- Long-life, 60,000 hour LEDs at L80 reduce life cycle maintenance costs
- Four LED color choices and 80 CRI
- Many shielding choices
- Two door frame choices
- Metal to metal light leak protection on all four sides of shielding frame
- Fixed output, step dimming (high/low/off), or 0-10V dimming drivers
- Hinged optical system allows easy access to LED modules and electrical from below the ceiling
- All models standard with IC rating
- DesignLights Consortium® (DLC) qualified
- Five year warranty

PROJECT INFORMATION

Project Name _____

Type _____

Catalog No. _____

Date _____

CONSTRUCTION

Luminaire housing, end caps, and reflectors are die-formed code-gauge cold-rolled steel. Optical system hinges from either side for easy access to LED module and electrical components. Mechanical light trap prevents light leaks.

FINISH

All metal parts processed with a multi-stage phosphate bonding treatment and finished with a high reflectance baked white enamel.

SHIELDING

Lens is high transmission pattern #12 acrylic (A12) for light diffusion without compromise to light output. Other shielding may be specified. If desired shielding media is not shown in ordering guide, contact your local Hubbell Lighting representative.

INSTALLATION

An access plate is furnished with each recessed fixture for fast wiring connections without the necessity to open the fixture or wireway.

CEILING COMPATIBILITY

Designed for recessed installation in standard inverted tee grid ceilings (G), recessed installation in hard ceilings (G with FK accessory), surface mount at ceiling plane (SM), or cable mount suspension below ceiling plane (CM). For compatibility with specific ceilings contact your Hubbell Lighting representative.

CERTIFICATION

All luminaires are built to UL 1598 and 2108 standards, and bear appropriate CSA labels. Damp location labeling is standard. Emergency equipped fixtures labeled UL924. Adheres to LM79, LM80 and TM21 industry standards. IC rating is standard on all models. DesignLights Consortium® (DLC) qualified. Please refer to the DLC website for specific product qualifications at www.designlights.org.

WARRANTY

Five year warranty. (Terms and Conditions Apply)

ORDERING INFORMATION

EXAMPLE LJT22-35HLG-FSA12-EU

LJT 22 -						U -	
MODEL	COLOR TEMP	CEILING TYPE	SHIELDING	DRIVER	VOLTAGE	OPTIONS	
LJT LED Lensed Troffer	30 3000K 35 3500K 40 4000K 50 5000K	G Grid ¹ SM Surface Mount CM Cable Mount ²	A12 Pattern 12 Acrylic Lens A12125 Pattern 12 Acrylic Lens, 0.125" Nominal A12F Pattern 12 Frosted Acrylic Lens A12125F Pattern 12 Frosted Acrylic Lens, 0.125" Nominal A19 Pattern 19 Acrylic Lens, 0.156" Nominal A19F Pattern 19 Frosted Acrylic Lens 0.156"	E Fixed Output ESD Step Dimming ED 0-10V Dimming	U 120V-277V	C388 3-Wire Flex C488 4-Wire Flex C588 5-Wire Flex TB4 (4) Bulk T-Bar Clips ELL14 Emergency Battery Pack Installed, 1400 Lumens ^{3,4} GLR Fast Blow Fuse GTD Generator Transfer Device G1 Single Gasketing (Door to Housing) G2 Double Gasketing (G1 and Lens to Door) G3 Triple Gasketing (G2 and Housing to Ceiling) CP Chicago Plenum	
SIZE	LUMEN OUTPUT	DOOR					
22 2' x 2'	ML Medium Lumen HL High Lumen VL Very High Lumen	FS White Flush Steel FA White Flush Aluminum					
PRODUCT AVAILABILITY							
SIZE	OUTPUT	LUMENS	WATTS	LPW			
22	ML	3,200 - 3,450	35	92 - 99			
	HL	3,775 - 4,025	43	89 - 94			
	VL	4,250 - 4,550	51	85 - 91			

Based on A12 lens, range represents 3000K through 5000K. Lumens will vary according to color temperatures and other factors. See specific photometric test(s).

¹ For hard ceilings use flange kit accessory.

² Order hanger accessories separately.

³ For compatibility with Dual-Lite LiteGear® inverters in lieu of installed battery pack, contact Hubbell Lighting Representative.

⁴ Not available with 2x2 Surface or Cable Mount.

⁵ Not available with Surface Mount ceiling types.

⁶ In-Fixture Module Antenna adds 2" to overall fixture height at power feed location.

Damp label—standard.

IC rating—standard.

Page 1/3 Rev. 03/08/16

ACCESSORIES (ORDER SEPARATELY)

FK22 2' x 2' Single Flange Kit

CM48Y25C3F-KIT 48" Cable Mount Kit for 2' wide CM ceiling type, 3 Wire Feed Cord



LED / LJT22

PHOTOMETRIC DATA

Test L051401401 Test Date 05/22/2014

LUMINAIRE DATA

Luminaire	LJT22-35MLG-FSA12-EDU LJT LED, Lensed Troffer 2 x 2 LED with A12 pattern acrylic prisms lens
Ballast	D15CC55UNVT-C
Ballast Factor	1.00
Lamp	LED
Fixture Lumens	3261
Watts	35.17
Mounting	Recessed
Shielding Angle	0° = 90 90° = 90
Spacing Criterion	0° = 1.12 90° = 1.16
Luminous Opening in feet	Length: 1.82 Width: 1.83 Height: 0.00

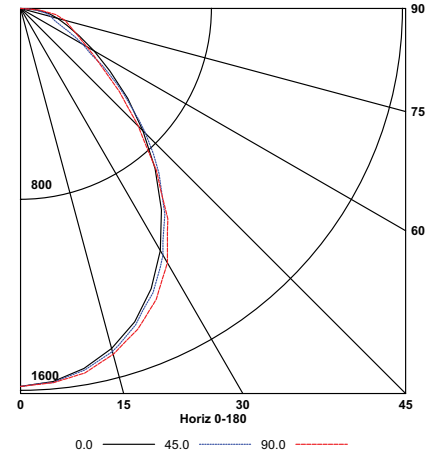
ENERGY DATA

Total Luminaire Efficiency	100.0%
Total Lumens per Watt	93
ANSI/IESNA RP-1-2004 Compliance	Noncompliant
Comparative Yearly Lighting Energy Cost per 1000 Lumens	\$2.58 based on 3000 hrs. and \$0.08 per KWH

ZONAL LUMEN SUMMARY

Zone	Lumens	%Lamp	%Fixt.
0-30	1176	36.1	36.1
0-40	1834	56.2	56.2
0-60	2785	85.4	85.4
0-90	3261	100.0	100.0
0-180	3261	100.0	100.0

INDOOR CANDELA PLOT



Test L051401402 Test Date 05/22/2014

LUMINAIRE DATA

Luminaire	LJT22-35HLG-FSA12-EDU LJT LED, Lensed Troffer 2 x 2 LED with A12 pattern acrylic prisms lens
Ballast	D15CC55UNVT-C
Ballast Factor	1.00
Lamp	LED
Fixture Lumens	3845
Watts	43.07
Mounting	Recessed
Shielding Angle	0° = 90 90° = 90
Spacing Criterion	0° = 1.12 90° = 1.16
Luminous Opening in feet	Length: 1.82 Width: 1.83 Height: 0.00

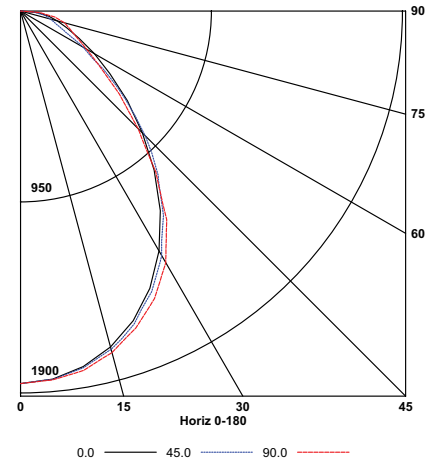
ENERGY DATA

Total Luminaire Efficiency	100.0%
Total Lumens per Watt	89
ANSI/IESNA RP-1-2004 Compliance	Noncompliant
Comparative Yearly Lighting Energy Cost per 1000 Lumens	\$2.70 based on 3000 hrs. and \$0.08 per KWH

ZONAL LUMEN SUMMARY

Zone	Lumens	%Lamp	%Fixt.
0-30	1379	35.9	35.9
0-40	2154	56.0	56.0
0-60	3281	85.3	85.3
0-90	3845	100.0	100.0
0-180	3845	100.0	100.0

INDOOR CANDELA PLOT



Test L051401403 Test Date 05/22/2014

LUMINAIRE DATA

Luminaire	LJT22-35VLG-FSA12-EDU LJT LED, Lensed Troffer 2 x 2 LED with A12 pattern acrylic prisms lens
Ballast	D15CC55UNVT-C
Ballast Factor	1.00
Lamp	LED
Fixture Lumens	4329
Watts	50.69
Mounting	Recessed
Shielding Angle	0° = 90 90° = 90
Spacing Criterion	0° = 1.12 90° = 1.16
Luminous Opening in feet	Length: 1.82 Width: 1.83 Height: 0.00

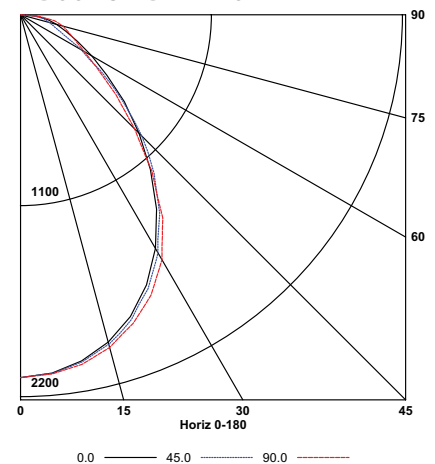
ENERGY DATA

Total Luminaire Efficiency	100.0%
Total Lumens per Watt	85
ANSI/IESNA RP-1-2004 Compliance	Noncompliant
Comparative Yearly Lighting Energy Cost per 1000 Lumens	\$2.82 based on 3000 hrs. and \$0.08 per KWH

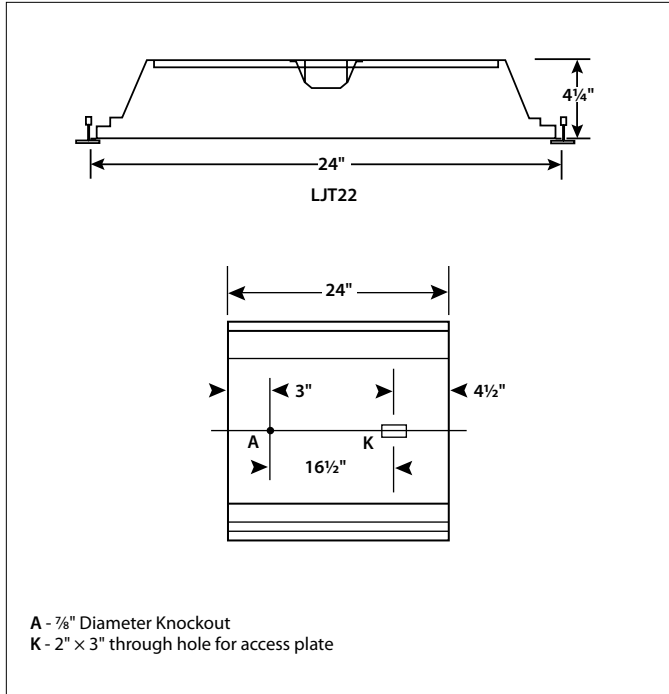
ZONAL LUMEN SUMMARY

Zone	Lumens	%Lamp	%Fixt.
0-30	1556	35.9	35.9
0-40	2429	56.1	56.1
0-60	3696	85.4	85.4
0-90	4329	100.0	100.0
0-180	4329	100.0	100.0

INDOOR CANDELA PLOT

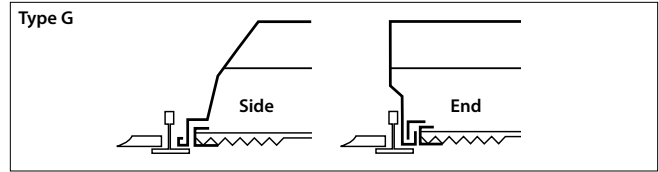


DIMENSIONAL DATA

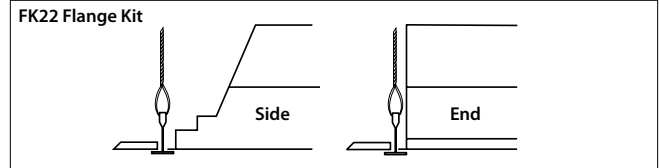


NOTE: All dimensions are in inches; dimensions and specifications are subject to change without notice. Please consult factory or check sample for verification.

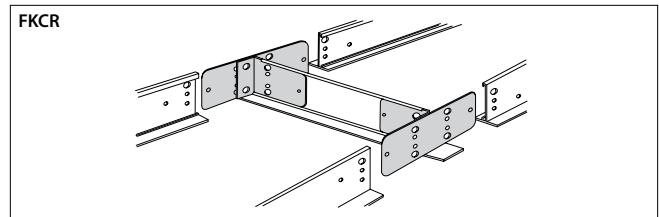
CEILING COMPATIBILITY



For lay-in installation in exposed grid ceilings. Maximum tee widths of 1" and maximum tee heights of 2" allowed.



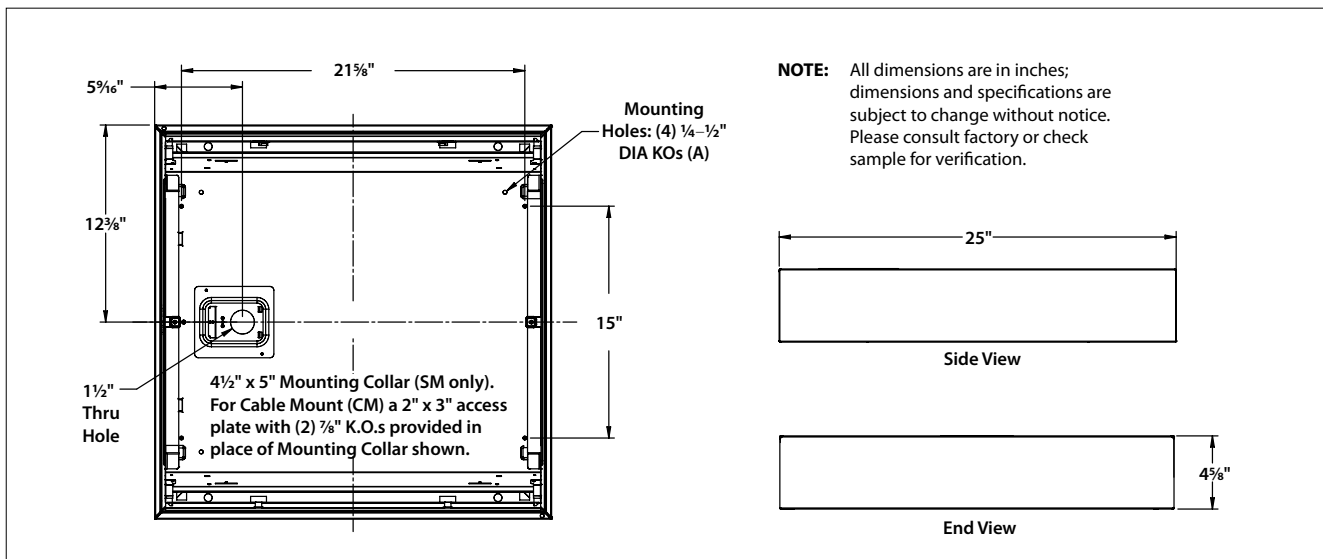
For hard ceiling applications order FK22 flange kit. Flange kit wires directly into concealed ceiling opening for a clean, finished appearance.



For flanged fixtures in row configurations, the FKCR adapter bracket kit is required in addition to the FK22 kit. Order one less FKCR than the total number of fixtures in row. (Example: Row of two, order (2) FK22 & (1) FKCR)

Row cut out dimensions using FK22 & FKCR adapters:
Width 24 3/8", Length [24" x (# in row)] + 3/4". Example: (24" x 2) + 3/4" = 48 3/8"
Flange kit rough in dimensions for single unit only: 24 3/8" x 24 3/8"

DIMENSIONAL DATA - SURFACE MOUNT (SM) OR CABLE MOUNT (CM)



NOTE: All dimensions are in inches; dimensions and specifications are subject to change without notice. Please consult factory or check sample for verification.

SURFACE MOUNT

Order SM ceiling type. Mounting collar required for surface mounting. (4) Mounting knock-outs, 1/4" to 1/2" provided as shown, marked "A".

CABLE MOUNT

Order CM ceiling type. Access plate supplied for cable mounting or suspension. Use CM48Y2C3F-KIT 48" cable mount kit. Includes 3 wire feed cord. For other wiring needs, contact Hubbell Lighting representative. Mounting knock-outs, 1/4" to 1/2" provided as shown, marked "A".