

# DUSK-TO-DAWN DDL MULTIPURPOSE LED LUMINAIRE

Cat.#	
Job	Type



Approvals

### SPECIFICATIONS

#### Intended Use:

Multi-purpose dusk-to-dawn LED luminaire provides general purpose area, security, roadway and landscape lighting. For operation in -35°C - 40°C ambient temperatures.

#### Construction:

- Rugged die-cast aluminum housing with both 2-3/8" & 1-5/8" OD mast arm mount capability as well as direct wall/surface mounting; Textured gray powder paint provides corrosion resistance and clean finish

#### LED (Choice of):

##### DDL-9L

- 9 high power LEDs, 5000K CCT, 70 CRI, with 2 LED lens distribution choices  
Type V installed, Type II included in the carton

##### DDL-56L

- 56 mid power LEDs  
4000K CCT, 80 CRI

##### DDL-140L

- 140 mid power LEDs  
5000K CCT, 80 CRI

#### Optical/Electrical:

- Symmetric LED lens installed standard
- DDL-9L only: Field rotatable roadway Type II LED lens included for pathway/ roadway applications
- Single 50/60Hz driver (Surge protection integral with driver)
- Twist-lock style photocontrol included
- Prismatic acrylic refractor included for security applications and glare control

#### Optical/Electrical:

- Provides zero uplift design for environmentally friendly installations when refractor is removed

#### Installation:

- Versatile mounting options include:
- Three 1/4" slots for wall/surface
  - 24" (18" projection) aluminum mast arm included for DDL-9L and DDL-140L only; Arm not included for DDL-56L
  - Mast arm clamp adjusts to 2-3/8" or 1-5/8" OD arms

#### Listings:

- All models meet DesignLights Consortium (DLC) qualifications, consult DLC website for more details: <http://www.designlights.org/QPL>
- Listed to UL1598 for use in wet locations
- Driver IP66 and RoHS compliant
- EPA = 0.5
- ANSI 3G Rated

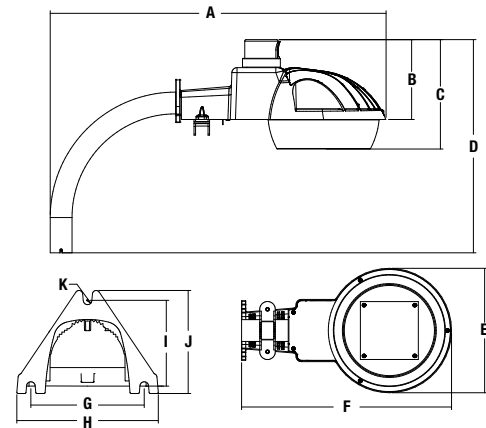
#### Warranty:

For more information visit:  
<http://www.hubbelloutdoor.com/resources/warranty/>

### PRODUCT IMAGE(S)



### DIMENSIONS



A	B	C	D	E	F
29.72"	6"	8.25"	16.19"	9.45"	16"
754 mm	152 mm	209 mm	411 mm	240 mm	406 mm
G	H	I	J	K	
3.62"	4.52"	2.74"	3.29"	.138"	
92 mm	115 mm	69 mm	84 mm	3.5 mm	

### CERTIFICATIONS/LISTINGS



ANSI 3G Rated

### SHIPPING INFORMATION

Catalog Number	G.W(kg)/CTN	Carton Dimensions		
		Length Inch (cm)	Width Inch (cm)	Height Inch (cm)
DDL (Single carton 1pc.)	4.57	17.83"	14.5"	8.07"
DDL (Master carton 2 pcs.)	10.00	18.23"	14.88"	16.34"

Carton dimensions for shipping purposes only - Pallet Quantity 40

### ORDERING INFORMATION

Catalog Number	Construction	Mount	Wattage	Drive Current	Voltage	Color Temperature	Lumens	LPW	Weight lbs. (kg)
DDL-9L1	Die-cast aluminum	Arm included	39.5	1280mA	120V	5000K	3946	100	6.8 (3.08)
DDL-9LU	Die-cast aluminum	Arm included	39.5	1280mA	120V-277V	5000K	3946	100	6.8 (3.08)
DDL-56L-4K-1-NA	Die-cast aluminum	Arm not included	30	150mA	120V	4000K	2906	97	6.8 (3.08)
DDL-140L-1	Die-cast aluminum	Arm included	43.5	92mA	120V	5000K	5279	121	6.8 (3.08)

### ACCESSORIES/ REPLACEMENT PARTS (ORDER SEPARATELY)

Catalog Number	Description
ARM-DD24	24" aluminum arm with hardware
ARM-DD30	30" aluminum arm with hardware
DDL-DRIVER-120V	Driver for DDL-9L (120V)
DDL-DRIVER-56	Driver for DDL-56L (120V)
DDL-DRIVER-140	Driver for DDL-140L (120V)

Catalog Number	Description
DDL-LENS-140	LED Symmetric lens for DDL-140L
DDL-LENS2	LED Asymmetric lens for DDL-9L
DDL-LENS5	LED Symmetric lens for DDL-9L or DDL-56L
DDL-REFR	Refractor for all DDL models



**HUBBELL**  
Outdoor Lighting

Hubbell Outdoor Lighting • 701 Millennium Boulevard • Greenville, SC 29607 • Phone: 864-678-1000

Due to our continued efforts to improve our products, product specifications are subject to change without notice.

© 2016 HUBBELL OUTDOOR LIGHTING. All Rights Reserved • For more information visit our website: [www.hubbelloutdoor.com](http://www.hubbelloutdoor.com) • Printed in USA

DDL9LED-SPEC-8/16

**PERFORMANCE DATA**

# OF LEDS	DRIVE CURRENT (MILLIAMPS)	SYSTEM WATTS	OPTICAL/LENS	DISTRIBUTION TYPE	CCT	LUMENS	LPW	CRI
9	1280mA	39.5	Refractor/Lens Cover	5	5000K	3,946	100	70
9	1280mA	39.5	No refractor/Lens Cover	5	5000K	3,917	99	70
9	1280mA	39.5	Refractor/RoadwayLens	2	5000K	3,649	92	70
9	1280mA	39.5	No refractor/RoadwayLens	2	5000K	3,932	99.5	70
56	150mA	30	No refractor/Lens Cove	5	4000K	2,906	97	70
140	92mA	43.5	No refractor/Lens Cove	5	5000K	5,279	121	70

Lumen values are from photometric tests performed in accordance with IESNA LM-79-08. Data is considered to be representative of the configurations shown. Actual performance may differ as a result of end-user environment, application and inherent performance tolerances of the electrical components.

**LUMINAIRE AMBIENT TEMPERATURE FACTOR (LATF)**

AMBIENT TEMPERATURE		LUMEN MULTIPLIER
0°C	32°F	1.02
10°C	50°F	1.01
20°C	68°F	1.00
25°C	77°F	1.00
30°C	86°F	1.00
40°C	104°F	0.99
50°C	122°F	0.98

Use these factors to determine relative lumen output for average ambient temperatures from 0-50°C (32-122°F).

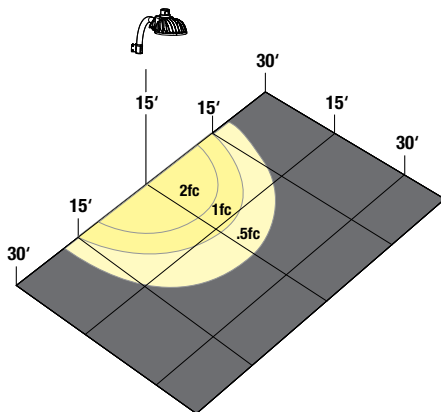
**PROJECTED LUMEN MAINTENANCE**

AMBIENT TEMP.	OPERATING HOURS					Calculated L70 (HOURS)
	0	25,000	50,000	<sup>1</sup> TM-21-11 60,000	100,000	
40°C / 104°F	0.99	0.94	0.91	0.89	0.84	>216,000

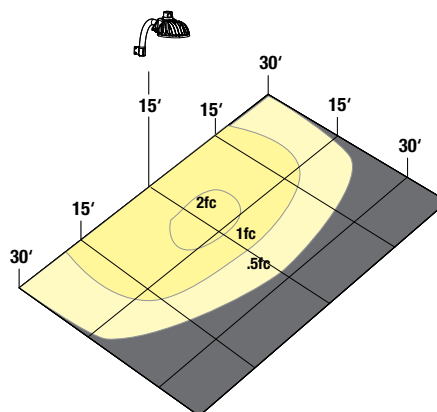
**ELECTRICAL DATA**

# OF LEDS	NUMBER OF DRIVERS	DRIVE CURRENT (mA)	INPUT VOLTAGE (V)	CURRENT (Amps)	SYSTEM POWER (W)
9	1	STD. (1280mA)	120	0.35	40
56	1	STD. (150mA)	120	-	30
140	1	STD. (92mA)	120	-	43.5

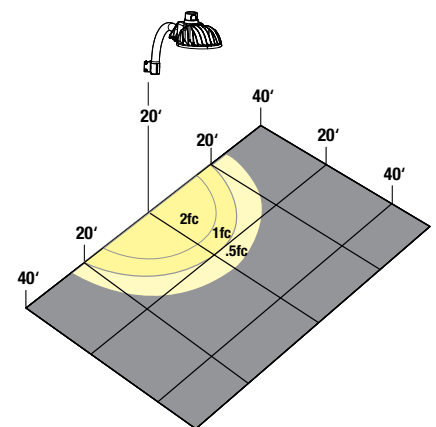
**PHOTOMETRICS** For additional photometric information and IES downloads, visit our web site at [www.hubbelloutdoor.com](http://www.hubbelloutdoor.com)



**DDL-9L1  
DDL-9LU**  
Symmetric LED lens

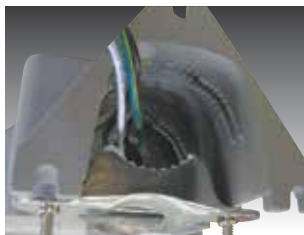


**DDL-9L1  
DDL-9LU**  
Asymmetric LED lens

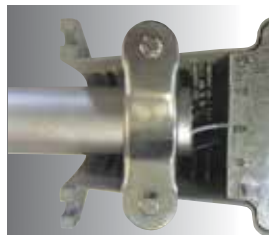


DDL-140L-1 at 20'

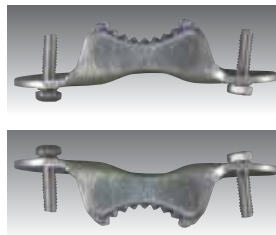
**MOUNTING OPTIONS (ALL VERSIONS)**



Dual rows of serrated teeth ensure positive grip on mast arm, preventing loosening due to continuous vibration



Bottom view of stainless steel mast arm clamp



Stainless steel mast arm clamp is reversible accommodating either 2-3/8" or 1-5/8" OD arms



Mast arm clamp easily adjusts to 1-5/8" OD arms with two 3/8" bolts



Reversible clamp easily adjusts to 2-3/8" OD arms with two 3/8" bolts

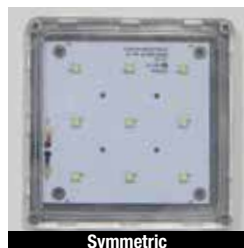
**DDL-9L OPTICAL OPTIONS (OPTICAL OPTIONS)**



Molded orientation marker for rotatable LED asymmetric lens, align lens with "house" icon for desired light direction



Asymmetric



Symmetric