

DESCRIPTION

The CUW Series offers LED performance in “normally-on” AC and emergency lighting modes. The unit has a prismatic polycarbonate refractor with a durable die-cast aluminum housing available with durable powder coated finish in dark bronze. The housing is fully sealed and gasketed. It is designed for wall mounting with a universal K/O pattern in the back-plate for installation to most standard size junction boxes. Illumination is provided by 2 high power LEDs driven at 3 watts each. LED color at 5500K. Offers 1280 lumens in Normally-On mode and 310 lumens in emergency mode. In the unlikely event that any single LED should fail the remaining LED will continue to function.

APPLICATION

The CUW Series can be applied in areas that are susceptible to rain and severe moisture, such as parking decks and outdoor commercial applications.

COMPLIANCES

UL924 Listed for Wet Location
NFPA 101 and NFPA 70
OSHA

WARRANTY

2 year full unit warranty



FEATURES

- Includes self-diagnostic/self-test feature to monitor proper operation
- LED life cycle of more than 10 years
- Quick installation
- Universal 100-300VAC input
- Includes long-life 4.8VDC Nickel Cadmium battery for UL recognized 90 minute operation
- Full re-charge within 24 hours
- Provided with water-proof test switch and AC-On indicator
- Photo-cell standard
- UL924 Wet Location Listed, 0°C to 50°C Standard Model, -30°C to 50°C with optional heater

INPUT POWER REQUIREMENTS

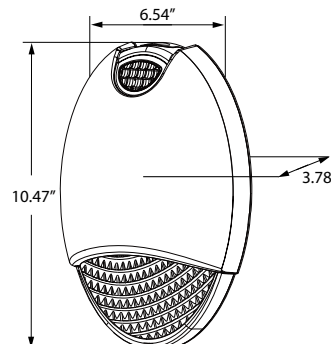
		120V		277V	
CUWZ-PC	AC On	9.00 W	8.89 W	0.13 A	0.07 A
CUWZ-PC	AC Off	2.04 W	2.15 W	0.04 A	0.02 A
CUWZ-HTR-PC	AC On	18.47 W	58.90 W	0.21 A	0.25 A
CUWZ-HTR-PC	AC Off	11.51 W	52.15 W	0.11 A	0.20 A

Photometric files are available on the Compass website.

ORDERING GUIDE

Catalog Number	Description
CUWZ-PC	Outdoor LED AC/Emergency, 0° to 50°C, with Photo-Control, Dark Bronze Finish
CUWZ-HTR-PC	Outdoor LED AC/Emergency, -20° to 40°C, with HTR and Photo-Control, Dark Bronze Finish

DIMENSIONS



Single Carton Weight: 4.0 lbs.
Master Carton Quantity: 6 each