


<b>COLT</b> COMPACT LED FLOOD	Cat.#		 <b>HUBBELL</b> Outdoor Lighting
	Job	Type	
			Approvals

**Intended Use:**

- LED luminaire is a versatile, compact floodlight for landscape, accent, pole, column, facade and small area illumination

**Construction:**

- Cast aluminum construction with heat dissipating fins on side of housing
- Traditional 1/2" x 14 NPS threaded adjustable knuckle mounting
- Adjustable swivel for easy aiming in 5 degree increments
- All units have dark bronze paint finish
- Rotatable hood for adjustable glare control
- Accessory kits available for trunnion mount and color/tinted light applications

**Operating Temperature:**

- -30°C to +40°C

**LED:**

- Single driver, 530mA drive current

**Electrical:**

- 120V-277V

**Listings:**

- DLC Qualified Consult DLC website for details: <http://www.designlights.org/QPL>
- IP65 and certified to UL 1598 for use in wet locations and IP65

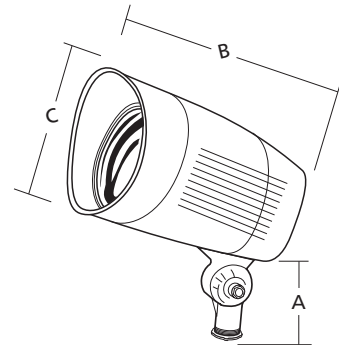
**Warranty:**

For more information visit:  
<http://www.hubbelloutdoor.com/resources/warranty/>

**PRODUCT IMAGE(S)**



**DIMENSIONS**



A	B	C	Weight
3"	6"	5"	2.75 lbs.
76 mm	152 mm	127 mm	1.25 kg

**SHIPPING INFORMATION**

Catalog Number	G.W(kg)/CTN	Carton Dimensions			Carton Qty. per Master Pack
		Length Inch (cm)	Width Inch (cm)	Height Inch (cm)	
<b>BUL-1L3K-U</b>	14.20 (6.44)	22.25 (56.5)	12 (30.48)	12.5 (31.75)	3

**CERTIFICATIONS/LISTINGS**



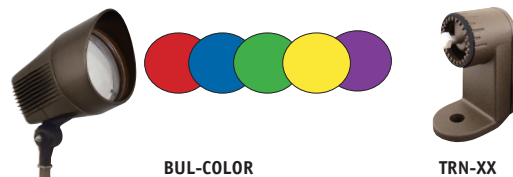
**ORDERING INFORMATION**

Catalog Number	Wattage	Voltage	Beam (3 included in each SKU)	Lumens	LPW	CCT	Drivers/Current	Weight lbs. (kg)
<b>LED - Wet Location Listed - Universal Aiming</b>								
<b>BUL-1L3K-U</b>	21	120V-277V	Narrow – 3x3	1873	89	3000K	1@530mA	2.75 (1.25)
			Medium – 4x4	1935	92			
			Wide – 6x6	1802	86			
<b>BUL-1L4K-U</b>	21	120V-277V	Narrow – 3x3	1979	94	4000K	1@530mA	2.75 (1.25)
			Medium – 4x4	1965	93.5			
			Wide – 6x6	1886	90			

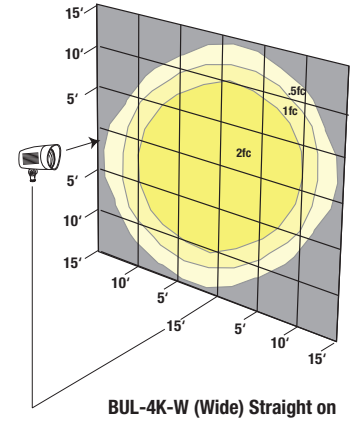
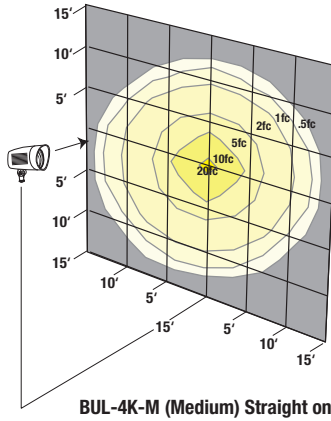
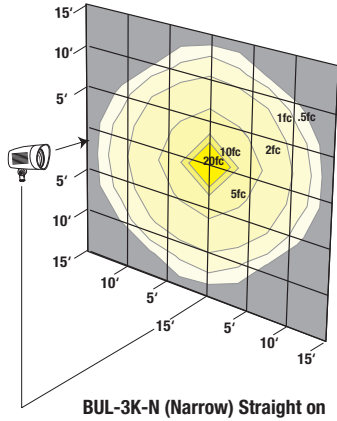
**ACCESSORIES/REPLACEMENT PARTS - Order separately**

CATALOG NUMBER	DESCRIPTION
<b>BUL-COLOR</b>	Lens kit with five tinted color choices – Red, Blue, Green, Yellow, Magenta/Pink
<b>TRN-XX<sup>1</sup></b>	Trunnion adapter for 1/2" threaded knuckle mount

<sup>1</sup> Specify finish color to match fixture, e.g. DB - Bronze.



**PHOTOMETRICS**



**PERFORMANCE DATA**

SERIES NUMBER	LENS TYPE	SYSTEM WATTS	DISTRIBUTION TYPE	CCT (80 CRI)	LUMENS	LPW	MAX CANDLE POWER
BUL-1L3K-U	Narrow	21W	3x3	3000K	1873	90	11779
	Medium		4x4		1935	89	6050
	Wide		6x6		1802	85	1185
BUL-1L4K-U	Narrow	21W	3x3	4000K	1979	94	12420
	Medium		4x4		1965	93.5	5846
	Wide		6x6		1886	89	1218

Lumen values are from photometric test performed in accordance with IESNA LM-79-08. Data is considered to be representative of the configurations shown. Actual performance may differ as a result of end-user environment application and inherent performance balances of the electrical components.

**PROJECTED LUMEN MAINTENANCE**

Ambient Temp.	OPERATING HOURS					
	0	25,000	50,000	TM-21-11 <sup>1</sup> L96 60,000	100,000	L70 Calculated (hours)
25°C / 77°F	1.00	0.97	0.93	0.92	0.87	>280,000
40°C / 104°F	1.00	0.96	0.93	0.92	0.87	>256,000

1. Projected per IESNA TM-21-11 \* (Nichia NFLS757DT-VT, 150mA, 85°C Ts, 10,000hrs) Data references the extrapolated performance projections for the base model in a 40°C ambient, based on 10,000 hours of LED testing per IESNA LM-80-08.

**LUMINAIRE AMBIENT TEMPERATURE FACTOR (LATF)**

AMBIENT TEMPERATURE	LUMEN MULTIPLIER
0° C / 32° F	1.06
10° C / 50° F	1.04
20° C / 68° F	1.02
25° C / 77° F	1.00
30° C / 86° F	0.98
40° C / 104° F	0.95
50° C / 122° F	0.91

Use these factors to determine relative lumen output for average ambient temperatures from 0-40°C (32-104°F).

**ELECTRICAL DATA**

# OF LEDS	# OF DRIVERS	DRIVE CURRENT (mA)	INPUT VOLTAGE (V)	CURRENT (Amps)	SYSTEM POWER (w)
1	1	530	120	0.18	21
			208	0.10	21
			240	0.09	21
			277	0.08	21

**BEAM OPTIONS - INCLUDED**



Hubbell Outdoor Lighting • 701 Millennium Boulevard • Greenville, SC 29607 • Phone: 864-678-1000  
Due to our continued efforts to improve our products, product specifications are subject to change without notice.

© 2016 HUBBELL OUTDOOR LIGHTING. All Rights Reserved • For more information visit our website: [www.hubbelloutdoor.com](http://www.hubbelloutdoor.com) • Printed in USA

MBULLED-SPEC 9/16