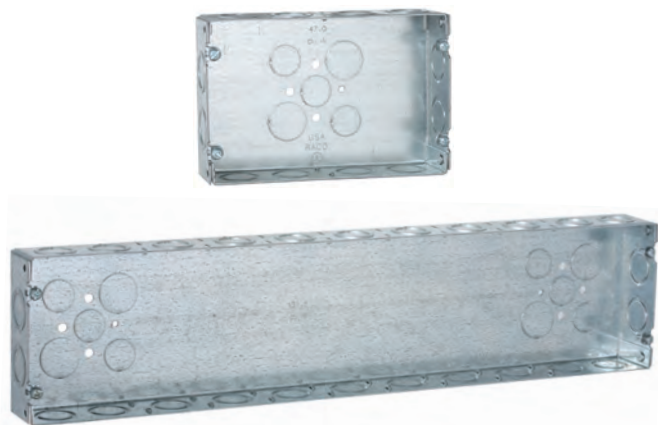


MULTI-GANG BOXES



951 through 958



941 through 945

APPLICATIONS

- RACO® Gang boxes are used where a number of wiring devices are to be centrally located

PRODUCT FEATURES

- Gang boxes save time in installation, no need to gang boxes together
- Have 1/2" and 3/4" concentric KO's for use with a wide variety of wiring methods
- Bottom KO pattern, 3-1/2" and 2-3/4" at either end of box
- Accept two styles of covers, flat and 3/4" raised device cover
- Use low voltage partitions #947 or #949

COMPLIANCES

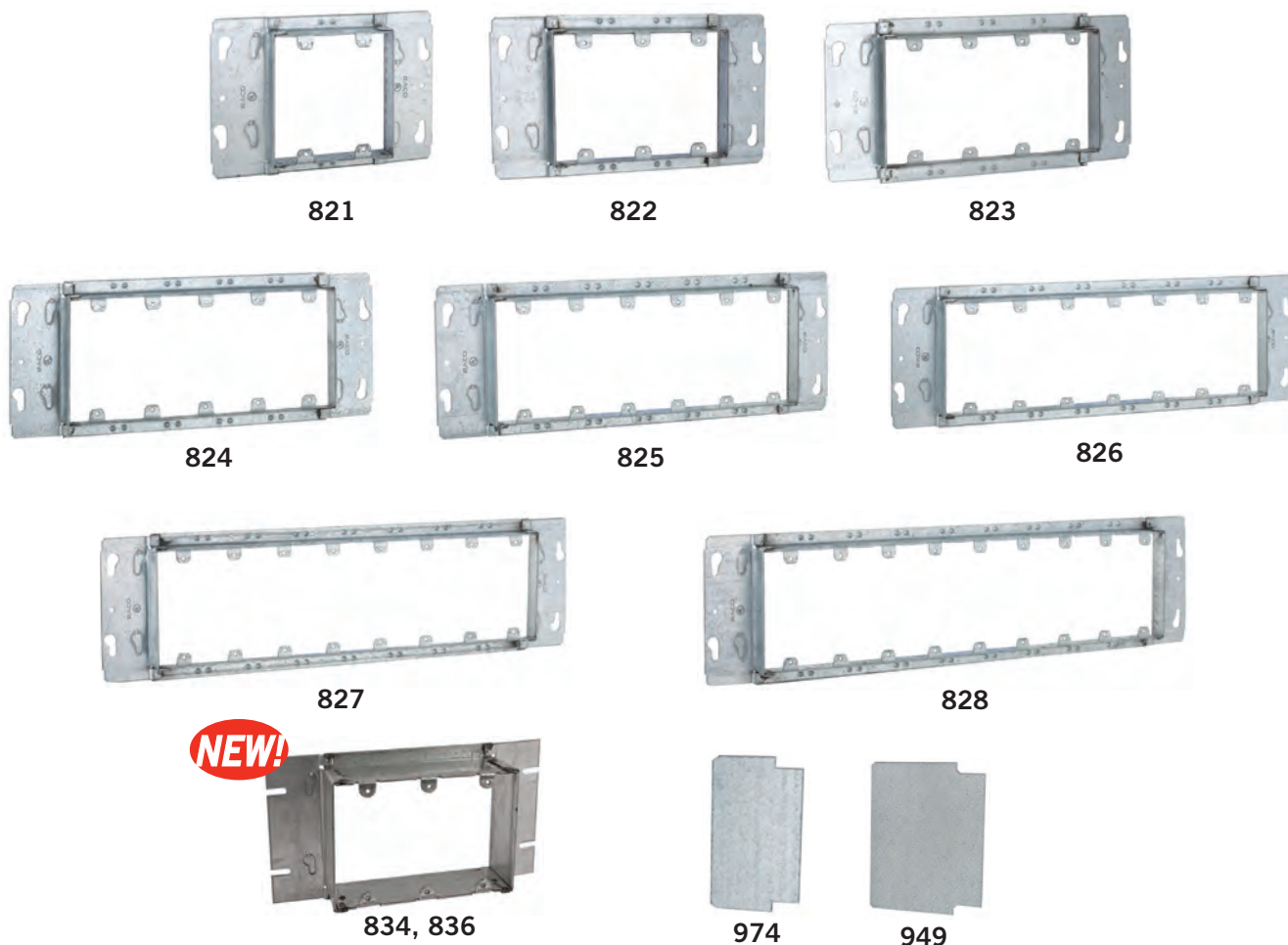
-  Listed 731A

CAT. #	DESCRIPTION	CUBIC INCHES (CM ³)	KNOCKOUTS			STD. PKG.	BAR CODE
			TOP & BOTTOM	SIDES	BACK		
Gang Boxes, 1-5/8" Deep – Welded with Conduit KO's							
951	2 Gang	47.0 (770.1)	8 Conc. 1/2" & 3/4"	4 Conc. 1/2" & 3/4"	(3) 1/2" (2) 3/4"	5	—
952	3 Gang	60.0 (983.2)	10 Conc. 1/2" & 3/4"	4 Conc. 1/2" & 3/4"	(6) 1/2" (4) 3/4"	5	
953	4 Gang	72.8 (1192.9)	12 Conc. 1/2" & 3/4"	4 Conc. 1/2" & 3/4"	(6) 1/2" (4) 3/4"	5	
954	5 Gang	85.8 (1406.0)	14 Conc. 1/2" & 3/4"	4 Conc. 1/2" & 3/4"	(6) 1/2" (4) 3/4"	5	—
955	6 Gang	98.5 (1614.1)	16 Conc. 1/2" & 3/4"	4 Conc. 1/2" & 3/4"	(6) 1/2" (4) 3/4"	1	—
956	7 Gang	111.5 (1827.1)	18 Conc. 1/2" & 3/4"	4 Conc. 1/2" & 3/4"	(6) 1/2" (4) 3/4"	1	—
957	8 Gang	124.5 (2040.1)	20 Conc. 1/2" & 3/4"	4 Conc. 1/2" & 3/4"	(6) 1/2" (4) 3/4"	1	—
958	9 Gang	137.3 (2249.9)	22 Conc. 1/2" & 3/4"	4 Conc. 1/2" & 3/4"	(6) 1/2" (2) 3/4"	1	—
Gang Boxes, 2-1/2" Deep – Welded with Conduit KO's							
941	2 Gang	70.0 (1147.0)	(4) 3/4" 4 Conc. 3/4" & 1"	4 Conc. 3/4" & 1"	(3) 1/2" (2) 3/4"	5	
942	3 Gang	90.0 (1474.8)	(8) 3/4" 2 Conc. 3/4" & 1"	4 Conc. 3/4" & 1"	(6) 1/2" (4) 3/4"	5	
943	4 Gang	110.0 (1802.5)	(4) 3/4" 4 Conc. 3/4" & 1"	4 Conc. 3/4" & 1"	(6) 1/2" (4) 3/4"	5	
944	5 Gang	130.0 (2130.3)	(6) 3/4" 4 Conc. 3/4" & 1"	4 Conc. 3/4" & 1"	(6) 1/2" (4) 3/4"	5	
945	6 Gang	150.0 (2458.0)	(6) 3/4" 6 Conc. 3/4" & 1"	4 Conc. 3/4" & 1"	(6) 1/2" (4) 3/4"	1	

SEE END OF SECTION (PG A71) FOR DETAILED DRAWINGS >>



COVERS AND PARTITIONS



CAT. #	DESCRIPTION	FOR GANG BOXES	CU. IN. CAP. (CM ³)	STD. PKG.	UPC BAR CODE
Device Covers for Gang Boxes - Raised 3/4"					
821	2 Gang, 7-1/16" Width	951 or 941	10.0 (163.8)	5	—
822	3 Gang, 8-7/8" Width	952 or 942	15.3 (250.7)	5	
823	4 Gang, 10-11/16" Width	953 or 943	20.3 (332.6)	5	
824	5 Gang, 12-1/2" Width	954 or 944	25.5 (417.8)	5	—
825	6 Gang, 14-5/16" Width	955 or 945	30.5 (499.8)	1	—
826	7 Gang, 16-1/8" Width	956	35.5 (581.7)	1	—
827	8 Gang, 17-15/16" Width	957	40.8 (668.5)	1	—
828	9 Gang, 19-3/4" Width	958	45.8 (750.5)	1	—
Device Covers for Gang Boxes					
NEW 834	3 Gang, 8-7/8" Width, 2" Raised	952 or 942	40.8 (668.5)	15	—
836	3 Gang, 8-7/8" Width, 1-1/2" Raised	952 or 942	30.6 (501.4)	20	—
Low Voltage Partitions for Gang Boxes					
974	For 1-5/8" Deep	—	—	25	—
949	For 2-1/2" Deep	—	—	25	—

APPLICATIONS

- RACO® Gang box covers permit the mounting of devices
- Low voltage partitions may be added to boxes to divide power from voice/data
- RACO® 834 and 836 covers are ideal for nurse call stations

PRODUCT FEATURES

- RACO® Device covers also fit next smaller box, i.e. three gang cover fits two or three gang box
- Partition divides boxes into compartments

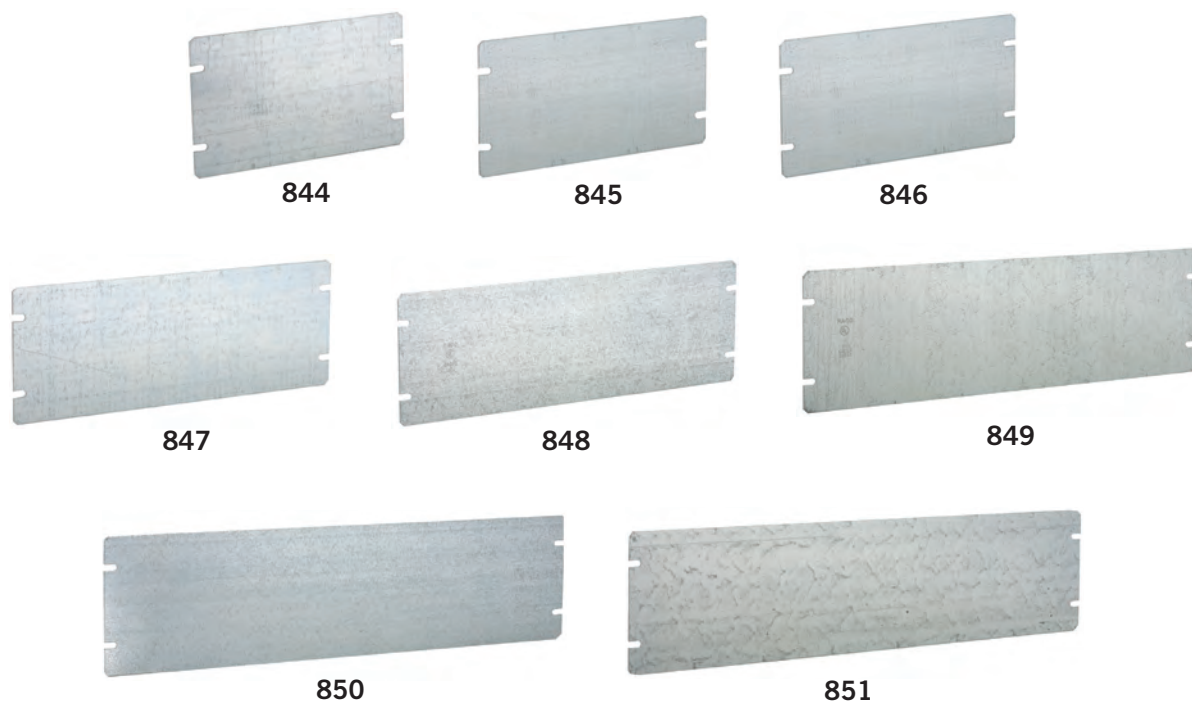
COMPLIANCE

- Listed 731A (Cat. #974 and #949 not UL Listed)

MULTI-GANG BOXES



BLANK COVERS



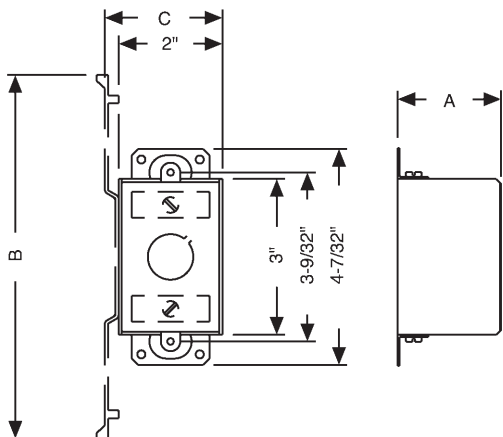
APPLICATIONS

- Covers are used to close a multi-gang box

CAT. #	DESCRIPTION	FOR GANG BOXES	STD. PKG.	UPC BAR CODE
Flat, Blank Covers for Gang Boxes				
844	2 Gang, 7-1/16" Width	951 or 941	5	—
845	3 Gang, 8-7/8" Width	952 or 942	5	—
846	4 Gang, 10-11/16" Width	953 or 943	5	—
847	5 Gang, 12-1/2" Width	954 or 944	1	—
848	6 Gang, 14-5/16" Width	955 or 945	1	—
849	7 Gang, 16-1/8" Width	956	1	—
850	8 Gang, 17-15/16" Width	957	1	—
851	9 Gang, 19-3/4" Width	958	1	—

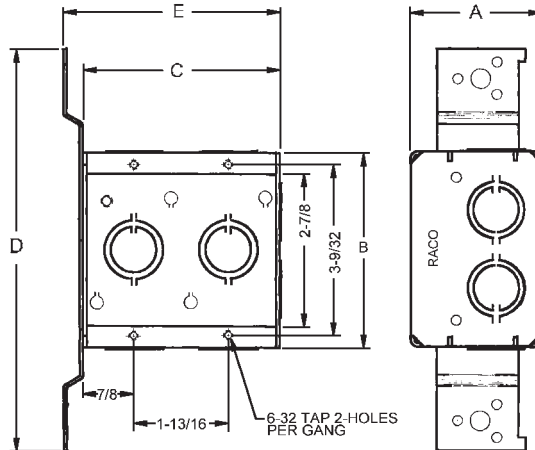
SWITCH BOXES

SINGLE GANG AND GANGABLE CABLE SWITCH BOXES



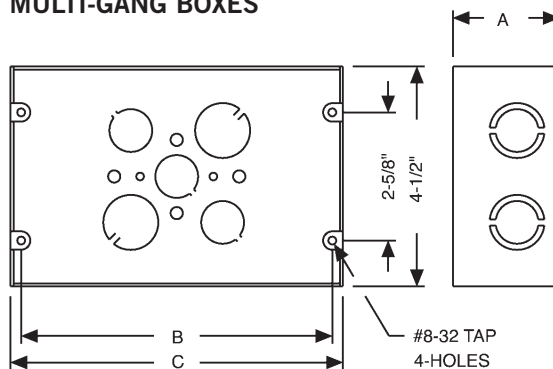
CAT. #	DIMENSIONS		
	A (INSIDE)	B	C
410	1-1/2"	-	-
440	2"	-	-
445	2"	-	-
471	2-1/4"	-	-
473	2-1/4"	-	-
487	2-1/4"	-	-
512	2-1/2"	-	-
517	2-1/2"	-	-
518	2-1/2"	-	-
519	2-1/2"	-	-
522	2-1/2"	1-31/32"	5-3/64"
523	2-1/2"	-	-
526	2-1/2"	1-3/8"	3-13/32"
528	2-1/2"	-	-
529	2-1/2"	1-31/32"	5-3/64"
531	2-1/2"	7"	2-13/64"
540	2-1/2"	1-31/32"	4"
545	2-1/2"	-	-
564	2-3/4"	7"	2-13/64"
567	2-3/4"	-	-
574	2-3/4"	7"	2-13/64"
600	3-1/2"	-	-
603	3-1/2"	1-31/32"	4"
604	3-1/2"	7"	2-13/64"
605	3-1/2"	7"	2-13/64"
524, 8524	2-1/2"	7"	2-13/64"
570RAC	2-3/4"	-	-
601, 8601	3-1/2"	-	-
601G	3-1/2"	-	-

MULTI-DEVICE SWITCH BOXES



CAT. #	DIMENSIONS				
	A (INSIDE)	B	C	D	E
686	2-1/2"	3-3/4"	5-9/16"	7-5/8"	5-31/32"
687	2-1/2"	3-3/4"	7-3/8"	7-5/8"	7-25/32"

MULTI-GANG BOXES



CAT. #	DIMENSIONS		
	A (INSIDE)	B	C
941	2-1/2"	6-3/8"	6-13/16"
942	2-1/2"	8-3/16"	8-5/8"
943	2-1/2"	10"	10-7/16"
944	2-1/2"	11-13/16"	12-1/4"
945	2-1/2"	13-5/8"	14-1/16"
951	1-5/8"	6-3/8"	6-13/16"
952	1-5/8"	8-3/16"	8-5/8"
953	1-5/8"	10"	10-7/16"
954	1-5/8"	11-13/16"	12-1/4"
955	1-5/8"	13-5/8"	14-1/16"
956	1-5/8"	15-7/16"	15-7/8"
957	1-5/8"	17-1/4"	17-11/16"
958	1-5/8"	19-1/16"	19-1/2"