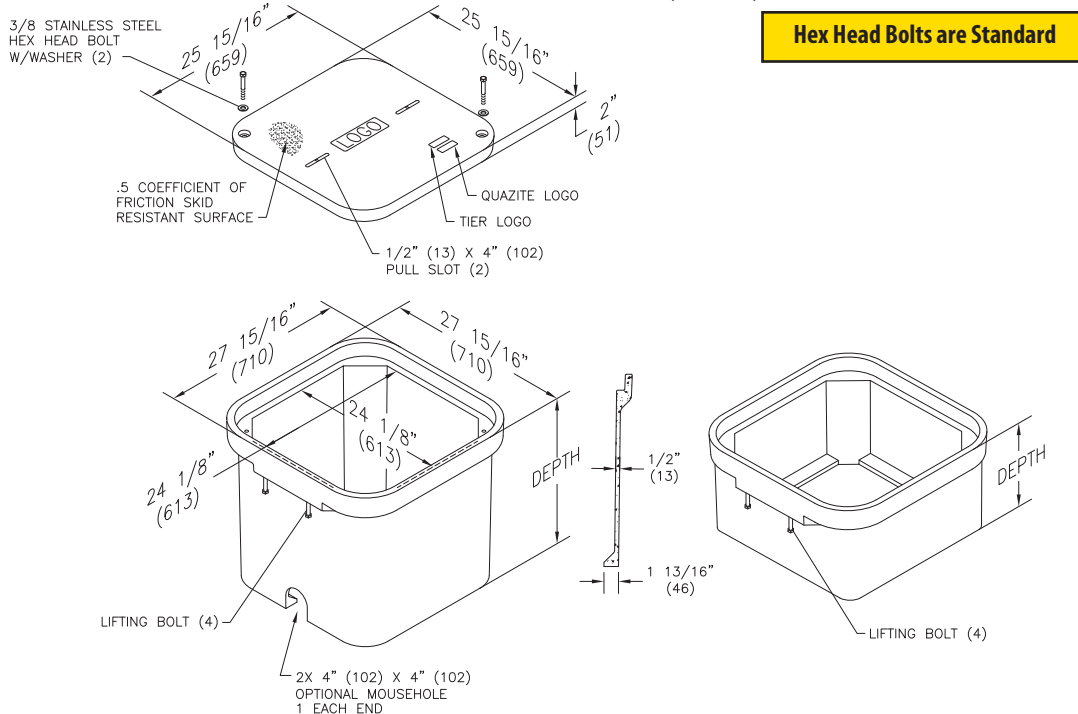


Dimensions / Data

24" x 24" PG Style Polymer Concrete (Stackable) Assembly



Covers

	DESCRIPTION	TIER	DESIGN / TEST LOAD #	WEIGHT #	PALLET QTY	PART NO.
	W/ 2 Bolts	8	8,000 / 12,000	70	10	PG2424CA00**
	W/ 2 Bolts	15	15,000 / 22,500	100	10	PG2424HA00**
	No Bolts	8	8,000 / 12,000	70	10	PG2424WA00**
	W/ 2 Bolts	22	22,500 / 33,750	100	10	PG2424HH00**

To order gasketed covers, replace the letter "A" with the letter "G".
 Replace ** with a logo code found on page 18.
 NOTE: Gasketed covers and bolt grommets must be used with a gasketed box. Gaskets reduce the inflow of fluids but do not make the enclosure water tight.

Boxes

	DESCRIPTION	DEPTH	TIER	DESIGN / TEST LOAD #	WEIGHT #	PALLET QTY	PART NO.
	Standard Open Bottom	24"	22	22,500 / 33,750	165	2	PG2424BA24
	Solid Bottom	24 1/2"	22	22,500 / 33,750	185	2	PG2424DA24

To order boxes with 2 standard mouseholes, replace the letter "A" with the letter "B".
 To order gasketed boxes, replace the letter "A" with the letter "G".
 NOTE: Gasketed covers and bolt grommets must be used with a gasketed box. Gaskets reduce the inflow of fluids but do not make the enclosure water tight.

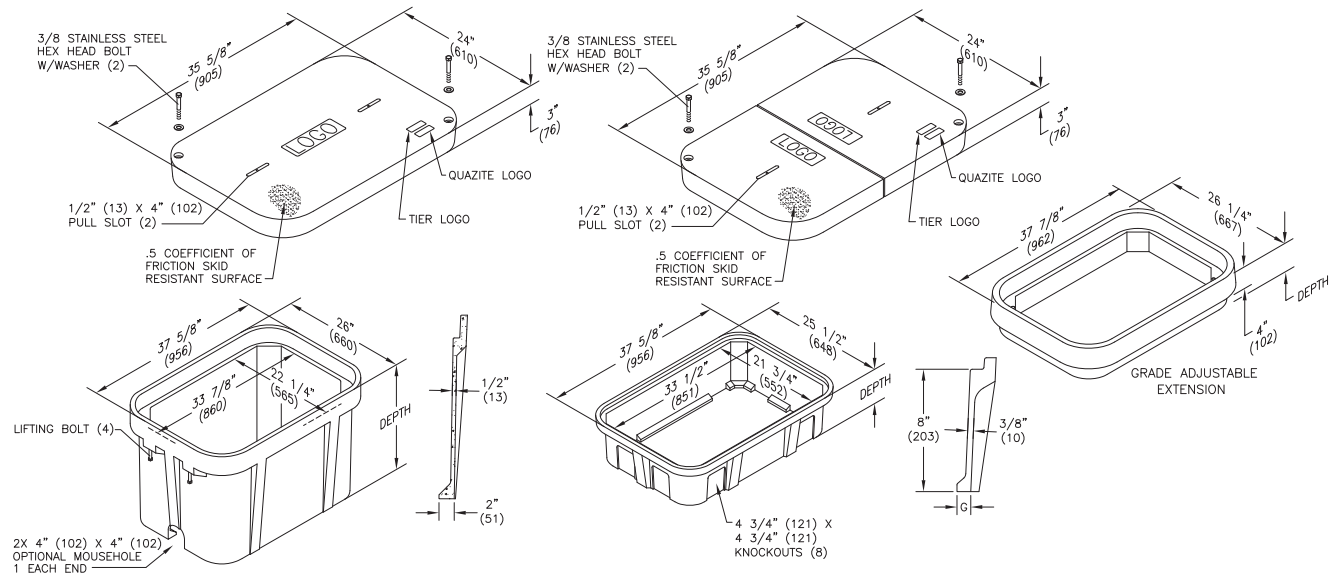
Extensions (Stackable - can be used as a top or bottom extension)

DESCRIPTION	DEPTH	TIER	DESIGN / TEST LOAD #	WEIGHT #	PALLET QTY	PART NO.
Open Bottom	8"	15	15,000 / 22,500	71	8	PG2424EA06
Open Bottom	14"	15	15,000 / 22,500	112	6	PG2424EA12
Solid Bottom	8 1/2"	15	15,000 / 22,500	96	8	PG2424RA06
Solid Bottom	14 1/2"	15	15,000 / 22,500	130	6	PG2424RA12

Dimensions / Data

24" x 36" PG Style Polymer Concrete (Stackable) Assembly

Hex Head Bolts are Standard



Covers

	DESCRIPTION	TIER	DESIGN / TEST LOAD #	WEIGHT #	PALLET QTY	PART NO.
UL	W/ 2 Bolts	8	8,000 / 12,000	100	10	PG2436CA00**
	2 piece w/2 Bolts	8	8,000 / 12,000	122	10	PG2436CS00**
UL	W/ 2 Bolts	15	15,000 / 22,500	115	10	PG2436HA00**
UL	2 piece w/2 Bolts	15	15,000 / 22,500	122	10	PG2436HS00**
UL	W/ 2 Bolts	22	22,500 / 33,750	122	10	PG2436HH00**
UL	No Bolts	8	8,000 / 12,000	100	10	PG2436WA00**

To order gasketed covers, replace the letter "A" with the letter "G".

Replace ** with a logo code found on page 18.

NOTE: Gasketed covers and bolt grommets must be used with a gasketed box. Gaskets reduce the inflow of fluids but do not make the enclosure water tight.