



Remodel Construction RMNICD/ RMNICDAT

Line Voltage
Incandescent Downlight
IC/Non-IC Rated
120V

DATE: _____ TYPE: _____

FIRM NAME: _____

PROJECT: _____

LiteBox 6"

Aperture: Nominal 6"
Ceiling Cutout: 6⁵/₈"
Maximum Ceiling Thickness: 1¹/₂"
For conversion to millimeters,
multiply inches by 25.4
Not to Scale

APPLICATIONS:

Designed for quick and easy installation into existing ceiling surfaces, whether or not insulation is present, including office buildings, retail spaces, living rooms, foyers, kitchens, or areas with high ceilings. The RMNICD and RMNICDAT offer you many different trim types and styles to meet your lighting application needs. The RMNICDAT complies with requirements for Airshield™ applications.

AIR TIGHT REQUIREMENTS:

The RMNICDAT is Air Shield™ rated in compliance with ASTM E283 and the Washington State Energy Code (W.S.E.C.) when used with the GK6 ceiling gasket (Included with RMNICDAT. To be field installed.)

REFLECTOR:

Trims feature a rigid flat spring retention method which has a positive upward spring action to ensure a snug fit to the ceiling plane, eliminating unwanted light leak and sagging over time. Trims come standard with a painted white trim ring.

LAMP/SOCKET:

Porcelain socket with brass or copper screw shell. Socket snaps into trim carrier to place lamp in proper position ensuring consistent appearance and performance. Thermal protector prevents fixture from overheating when improperly installed or over-lamped. Refer to trim for specific lamp information. Lamps furnished by others.

INSTALLATION:

Adjustable slide bars lock unit securely to ceiling.

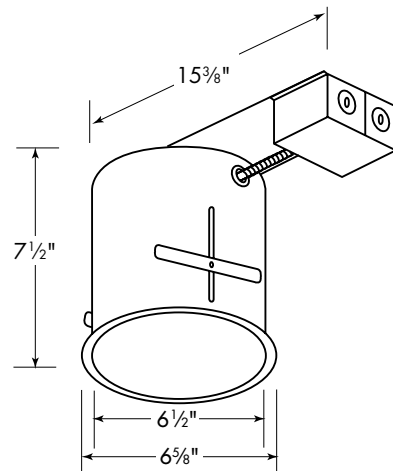
HOUSING:

Galvanized steel housing construction. Housing adjusts from 1/2" to 1 1/2" thick ceilings. Housing includes 1/2" knock outs, thermal protector, and a grounding pigtail. Rated for 4 #12 90° conductors (2 in/2 out) and for 60° supply wires in end-of-run applications. IC/Non-IC peel away label for field conversion.

LABELS:

IC and Non-IC rated. UL, CUL listed for damp location and through wiring. Thermally protected.

AirShield™ rated. WSEC compliant.



CATALOG NUMBER:

EXAMPLE: RMNICD-TB60-RC6

HOUSING	TRIMS	TRIMS	TRIMS	TRIMS	ACCESSORIES
<input type="checkbox"/> RMNICD IC/Non-IC rated <input type="checkbox"/> RMNICDAT² IC/Non-IC AirTight rated.	ADJUSTABLE <input type="checkbox"/> TA60 <input type="checkbox"/> TAW65	BAFFLE <input type="checkbox"/> TB60 <input type="checkbox"/> TBW60 <input type="checkbox"/> TB61 <input type="checkbox"/> TBW61 <input type="checkbox"/> TB62 <input type="checkbox"/> TBW62	LENSED <input type="checkbox"/> TL60 <input type="checkbox"/> TL61 <input type="checkbox"/> TL62 <input type="checkbox"/> TL63 <input type="checkbox"/> TL64	OPEN <input type="checkbox"/> TO6 <input type="checkbox"/> TO60B <input type="checkbox"/> TO60C <input type="checkbox"/> TO60G <input type="checkbox"/> TO61 <input type="checkbox"/> TO62 OPEN SHOWER <input type="checkbox"/> TO63WL¹ <input type="checkbox"/> TO64WL¹ WALL WASH <input type="checkbox"/> TW61WBF LED <input type="checkbox"/> LB6LEDA SERIES 800 & 1000 lumen LED Modules with dimming to 15%, 120V. See spec sheets for details	<input type="checkbox"/> RC6 Remodel clips. Three plaster frame clips for use in new construction frames in finished ceilings. <input type="checkbox"/> GK6 Field installed Gasket Kit to convert RMNICD to RMNICDAT. Not required for RMNICDAT.

¹ Indoor/outdoor lamp required.

² Includes all required gaskets and labels for AirTight compliance.

Note: All trims are 7³/₄" O.D. except where indicated.

LED



LB6LEDA Series

White LED module 800 & 1000 lumens.
See spec sheets for details

Adjustable



TA60

White eyeball.
Max. 75W PAR-30, 65W BR-30
Adj. 358°H x 30°V



TAW65

White (TAW65) regressed baffle eyeball.
Max. IC Application: 50W PAR-30, 65W BR-30,
Max. Non-IC Application: 75W PAR-30, 85W BR-30,
Adj. 358°H x 30°V

Baffle



TB60

Stepped black baffle.
Max. IC Application: 75W PAR-30, 65W BR-30;
Max. Non-IC: 150W PAR-38, 120W BR-40, 40W A-19



TBW60

Stepped white baffle.
Max. IC: 75W PAR-30, 65W BR-30;
Max. Non-IC: 150W PAR-38, 120W BR-40, 40W A-19



TB61

Long-neck black baffle.
Max. IC: 75W PAR-30L, 65W BR-30;
Max. Non-IC: 75W PAR-30L, 85W BR-30, 100W A-19



TBW61

Long-neck white baffle.
Max. IC: 75W PAR-30L, 65W BR-30;
Max. Non-IC: 75W PAR-30L, 85W BR-30, 100W A-19



TB62

High-wattage black stepped baffle. O.D. 8³/₄" dia.
Max. IC Application: 90W PAR-38, 85W BR-40;
Max. Non-IC Application: 150W PAR-38, 120W BR-40



TBW62

High-wattage white stepped baffle. O.D. 8³/₄" dia.
Max. IC Application: 90W PAR-38, 85W BR-40;
Max. Non-IC Application: 150W PAR-38, 120W BR-40

Lensed



TL60

Shower trim with dropped opal glass lense. Non-metallic flange. Wet location approved.
Max. IC Application: 50W PAR-30, 40W A-19;
Max. Non-IC Application: 75W PAR-30, 75W A-19



TL61

Shower trim with dropped opal glass lense. O.D. 8¹/₄" dia. Metal flange. Wet location approved.
Max. IC Application: 50W PAR-30, 60W A-19;
Max. Non-IC Application: 75W PAR-30, 100W A-19



TL62

Fresnel lensed trim. Wet location approved. Non-metallic flange.
Max. IC Application: 50W PAR-30;
Max. Non-IC Application: 75W PAR-30



TL63

Domed polycarbonate shower trim. O.D. 8¹/₄" dia. Wet location approved.
Max. IC Application: 40W A-19;
Max. Non-IC Application: 75W A-19



TL64

White albalite flush glass lensed trim. Metal flange. Wet location approved.
Max. Non-IC Only Application: 75W PAR-30, 60W A-19

Open



TO6

White cone.
Max. IC Application: 75W PAR-30, 65W BR-30;
Max. Non-IC Application: 150W PAR-38, 120W BR-40, 40W A-19

Open (cont.)



TO60B

Black Alzak reflector.
Max. IC Application: 75W PAR-30, 65W BR-30; Max. Non-IC Application: 150W PAR-38, 120W BR-40, 40W A-19



TO60C

Specular clear Alzak reflector.
Max. IC Application: 75W PAR-30, 65W BR-30; Max. Non-IC Application: 150W PAR-38, 120W BR-40, 40W A-19



TO60G

Specular gold Alzak reflector.
Max. IC Application: 75W PAR-30, 65W BR-30;
Max. Non-IC Application: 150W PAR-38, 120W BR-40, 40W A-19



TO61

White open splay.
Max. IC Application: 75W PAR-30L, 65W BR-30;
Max. Non-IC Application: 75W PAR-30L, 85W BR-30, 100W A-19



TO62

White open trim.
O.D. 8³/₄"
Wet location approved.
Max. IC Application: 90W PAR-38, BR-40
Max. Non-IC Application: 150W PAR-38, 120W BR-40

Open Shower



TO63WL

White open shower trim. Metal flange. Wet location approved.
Max. 50W PAR-30L
Indoor/outdoor lamp required.



TO64WL

High wattage white open shower trim. O.D. 8³/₄" dia. Metal Flange. Wet location approved.
Max. 75W PAR-38
Indoor/outdoor lamp required.

Wall Wash



TW61WBF

White baffle wall wash.
Max. Non-IC Application only: 60W A-19

Refer to www.prescolite.com for photometrics.

Web: www.prescolite.com • Tech Support: (888) 777-4832
701 Millennium Blvd., • Greenville, SC 29607 U.S.A. • Phone (864) 678-1000
Copyright ©2013 Prescolite, Inc., a division of Hubbell Lighting, Inc. All Rights Reserved
Specifications subject to change without notice. • Printed in U.S.A. • LB-INC.012 • 10/17/13